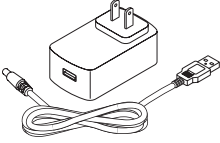
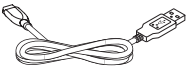
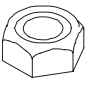
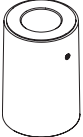
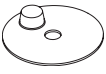

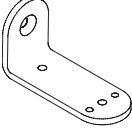
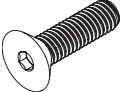
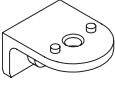
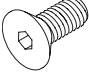
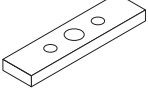
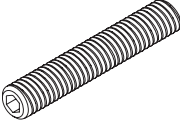
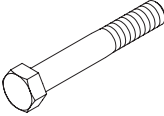
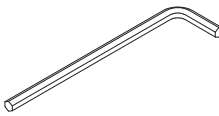



PARTS LIST

ITEM	DESCRIPTION / PART NO.	QUANTITY
A	 Power Cord & Adapter 710884	1
B	 USB Data Cable 710600	1
C	 3/8-16 Nylon Stop Nut 701418	1
D	 Mount Column 407602	1
E	 Adapter Bushing 110643	1
F	 Busby® Base Plate 410732	1
G	 Large "L" Bracket 702828	1
H	 3/8-16 x 1-3/4" Flat Socket Cap Screw 710644	1

ITEM	DESCRIPTION / PART NO.	QUANTITY
I	 Small "L" Bracket 701116	1
J	 3/8-16 x 7/8" Flat Socket Cap Screw 701799	1
K	 Rectangular Spacer 701544	1
L	 1/2-13 x 3" Socket Set Screw 701126	1
M	 3/8-16 x 2-1/2" Hex Head Bolt 701964	1
N	 7/32" Allen Wrench 701127	1
O	 3/32" Allen Wrench 700146	1