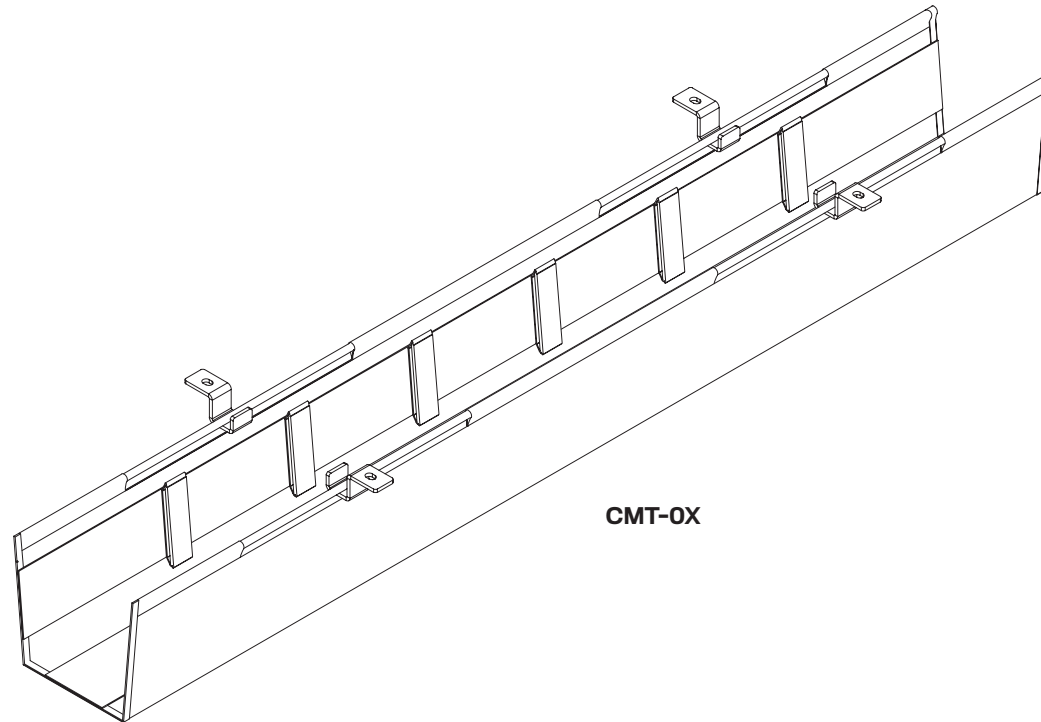


POCKET CABLE MANAGEMENT

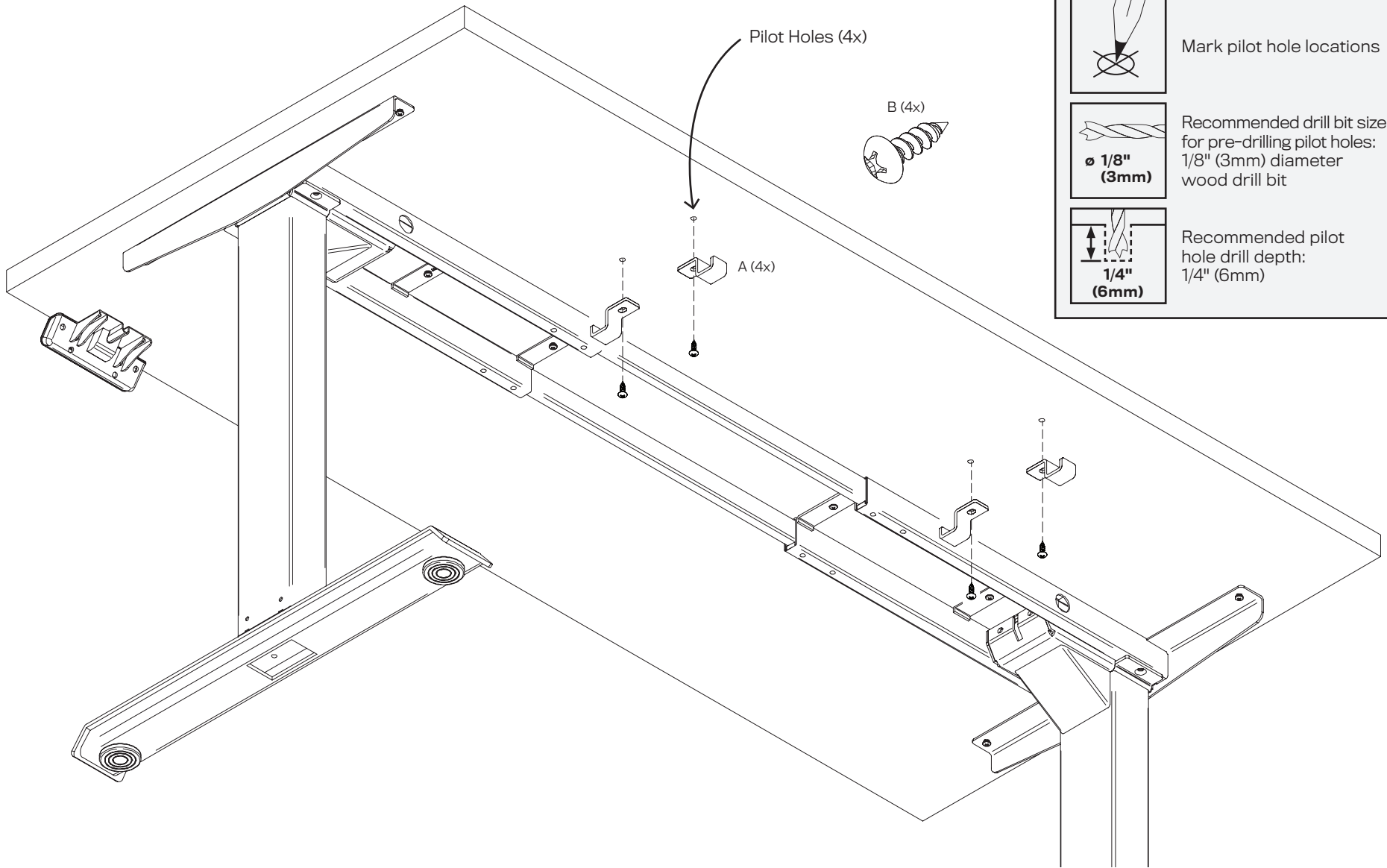
Installation Instructions

Innovative Ergonomic Solutions companies




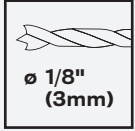
CMT-0X

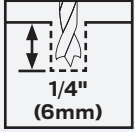
1



i PILOT HOLES

 Mark pilot hole locations

 Recommended drill bit size for pre-drilling pilot holes:
1/8" (3mm) diameter wood drill bit

 Recommended pilot hole drill depth:
1/4" (6mm)

MOUNTING HOOKS - FRAME ATTACHMENT

2

