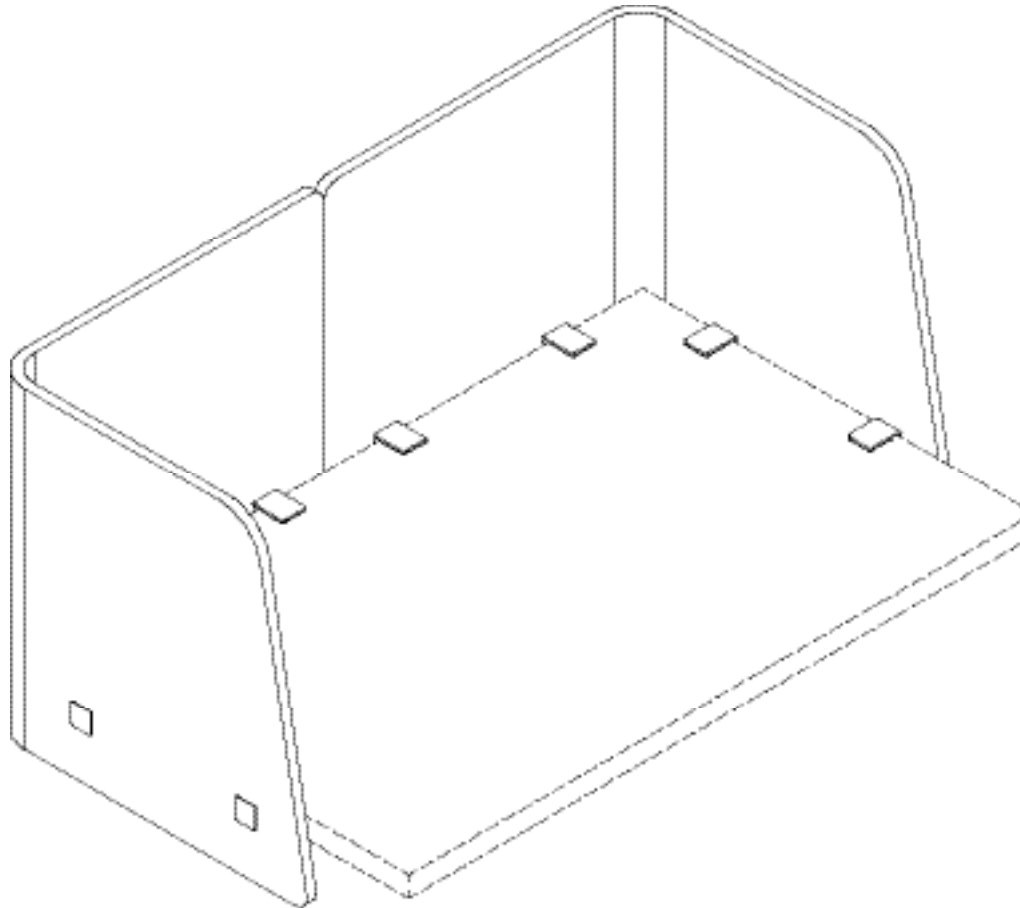


# MESA PET WRAP DIVIDER

## Installation Instructions

---



# PARTS LIST

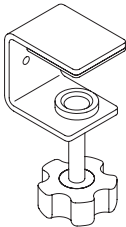
---

A Back Plate 8x



---

B C-Bracket 8x

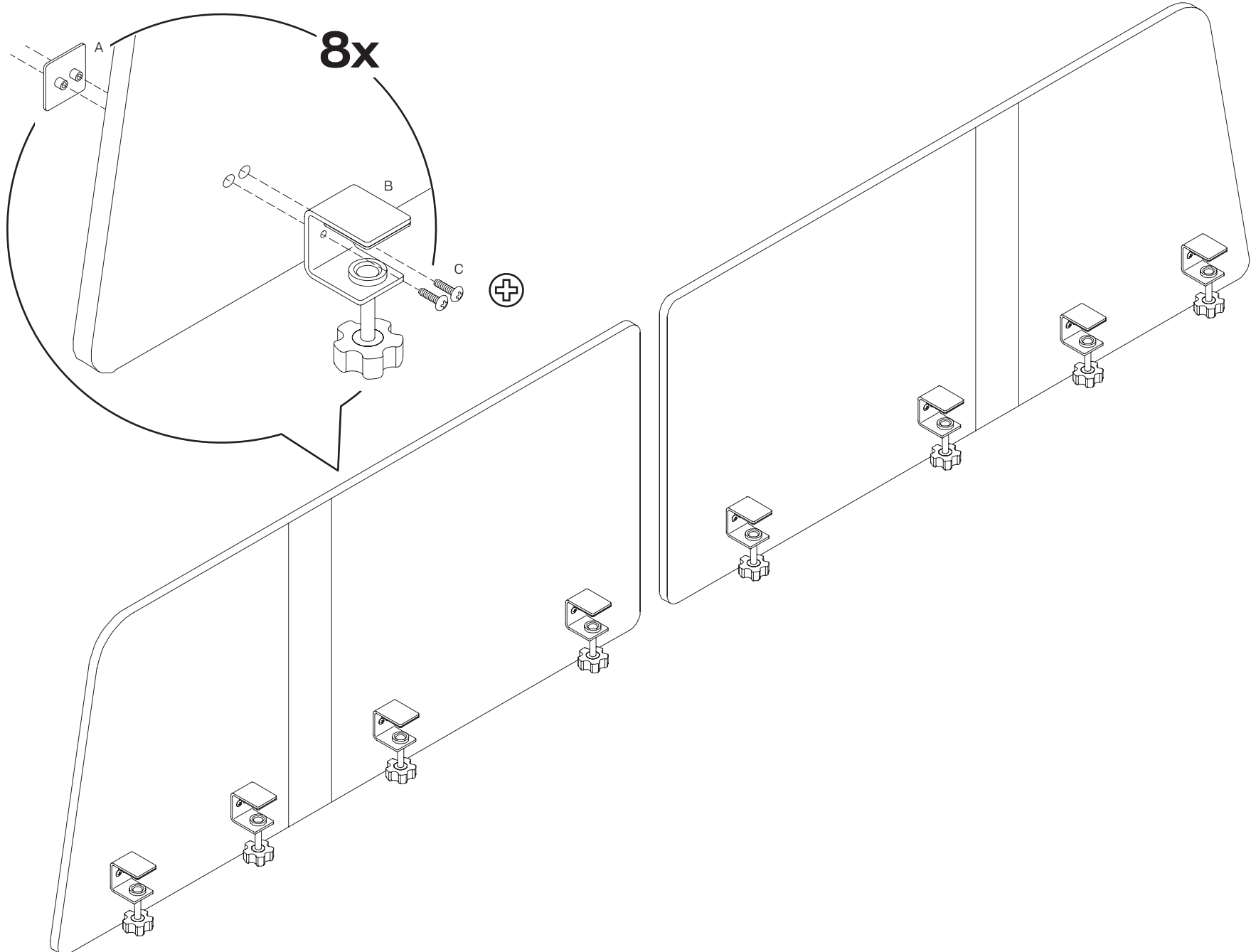


---

C M5 x 20 16x



1



2

