

32"
MAX

3-10lbs
500N RATED

9-22lbs
800N RATED

13-28lbs
1000N RATED

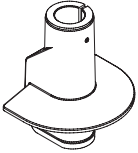
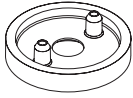
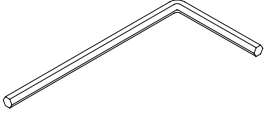

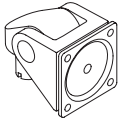

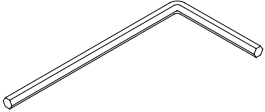
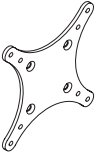
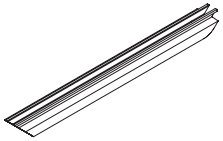
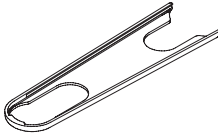


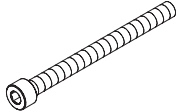
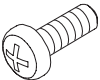

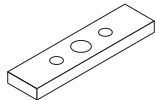
Human Active Technology

800 524 2744

customerservice@team-hat.com

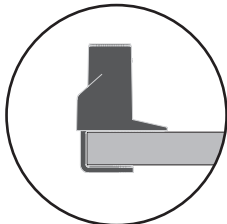
team-hat.com

PARTS LIST

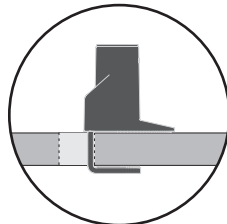
<p>A Top Down Mount 1x 8524</p> 	<p>F Dog Washer 1x 105189</p> 	<p>K 7/32" Allen Wrench 1x 701127</p> 	<p>P* Lock Nut 1x 710015</p> 
<p>B Monitor Tilter 1x 405397</p> 	<p>G 10-32 x 3/8" FPhMS w/Lock Patch 1x 705198</p> 	<p>L 6mm Allen Wrench 1x 717654</p> 	
<p>C 75/100mm VESA Adapter Plate 1x 105587</p> 	<p>H Cable Cap 1x 114810</p> 	<p>M Forearm Cable Cap 1x 115584</p> 	
<p>D 10-32 x 3/8" Phillips Flat Head Screw (4-pack) 1x 702281</p> 	<p>I 1/8" Allen Wrench 1x 701312</p> 	<p>N* M8 x 95mm SCHS 1x 716061</p> 	
<p>E M4 x 12mm Phillips Pan Head Screw (4-pack) 1x 702096</p> 	<p>J 3/32" Allen Wrench 1x 700146</p> 	<p>O* Spacer 1x 701544</p> 	

DESK CLAMP CONFIGURATION

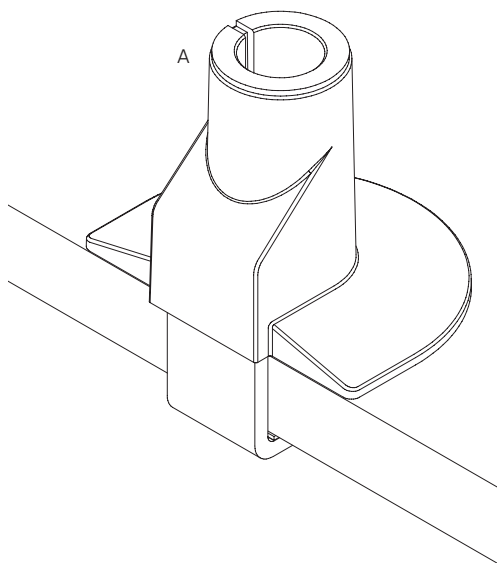
1



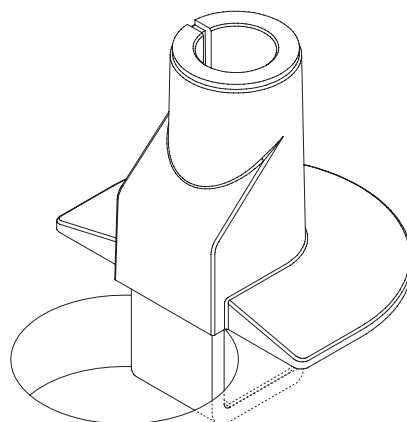
Desk thickness up to 1.5" (38mm)



Desk thickness up to 1.5" (38mm)



OR

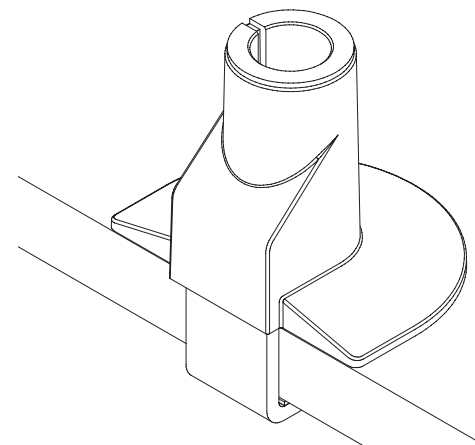
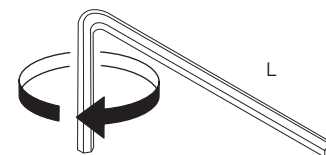


Ø 2" (51mm) minimum

2

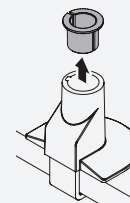


Tighten to 60-80 in-lbs.

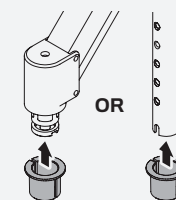


If the monitor arm or pole does not easily fit into the mount, remove the bushing from the mount and place it on the monitor arm or pole and press firmly back into the mount.

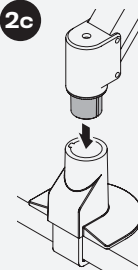
2a



2b

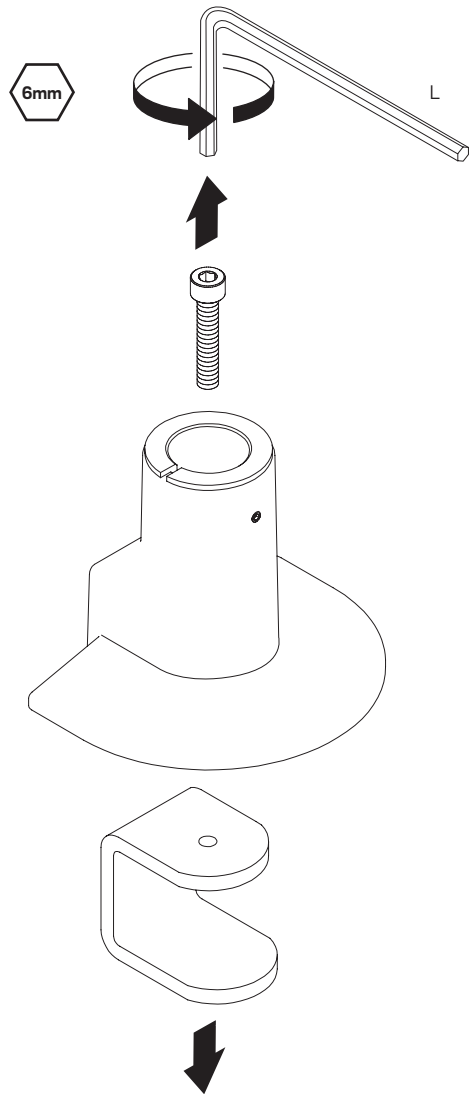


2c

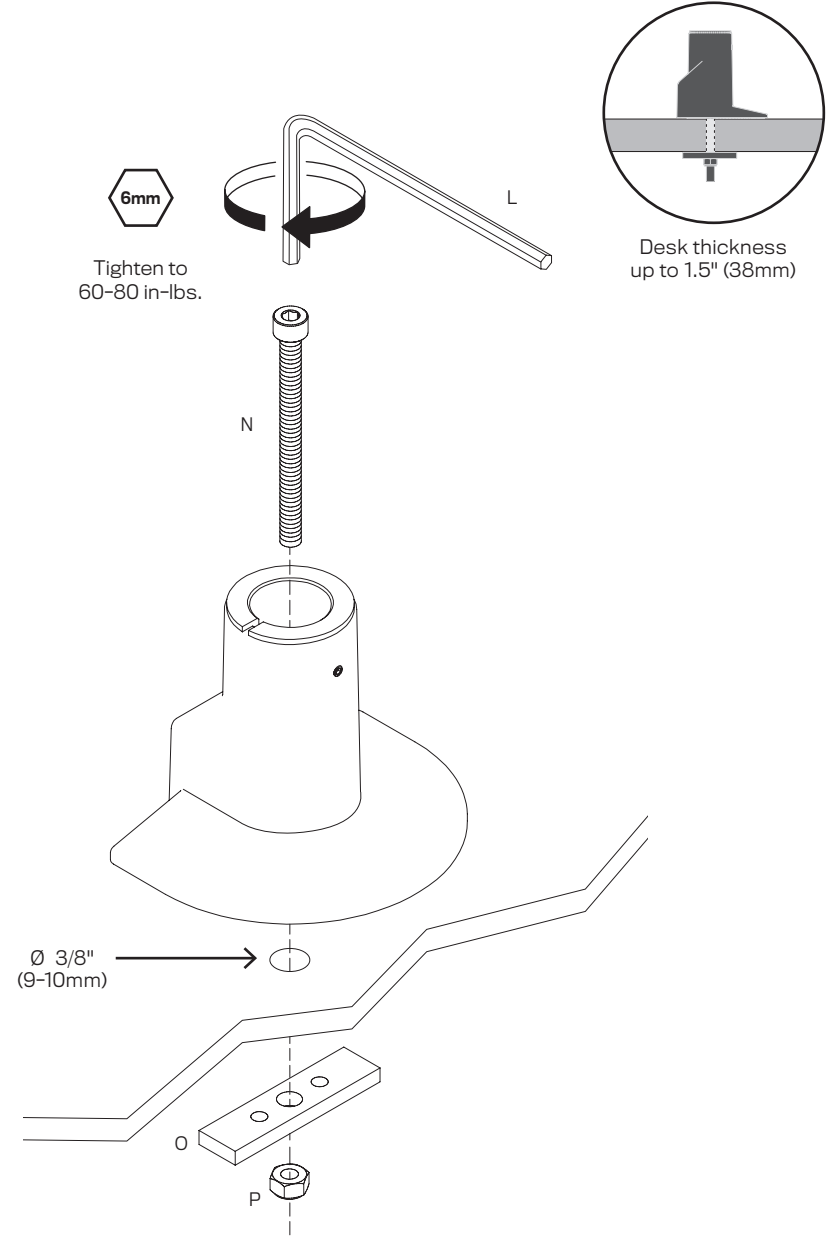


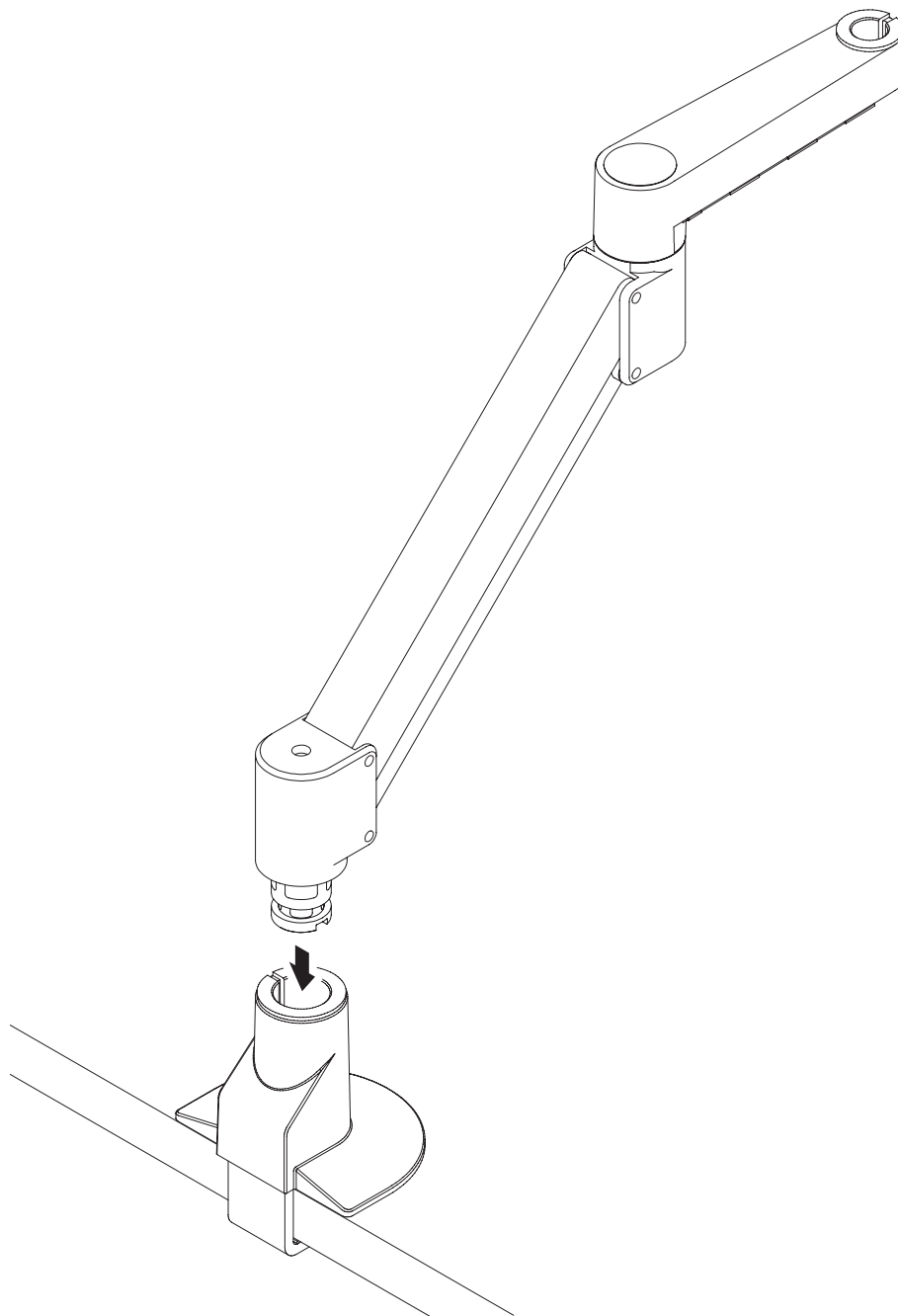
OPTIONAL THRU-DESK CONFIGURATION

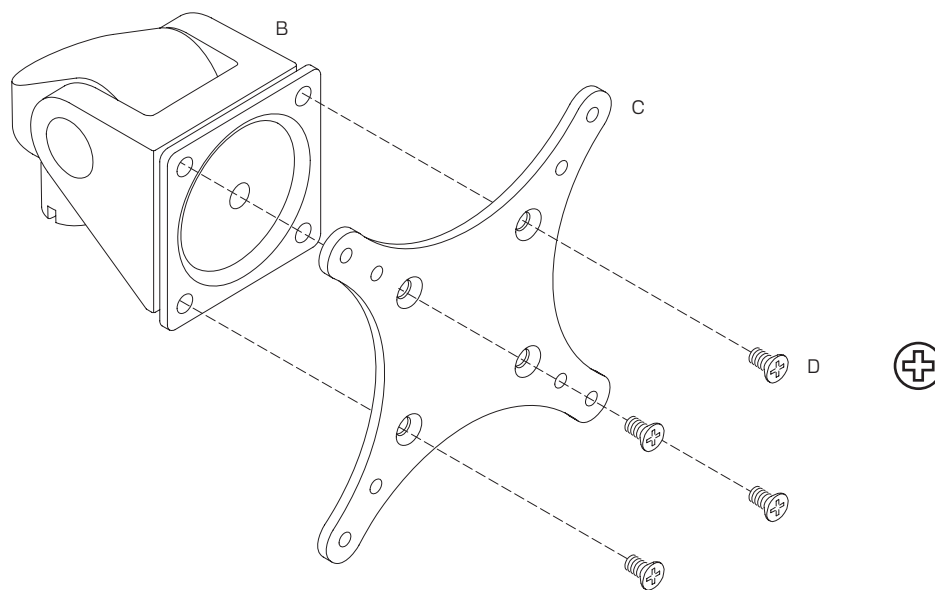
3

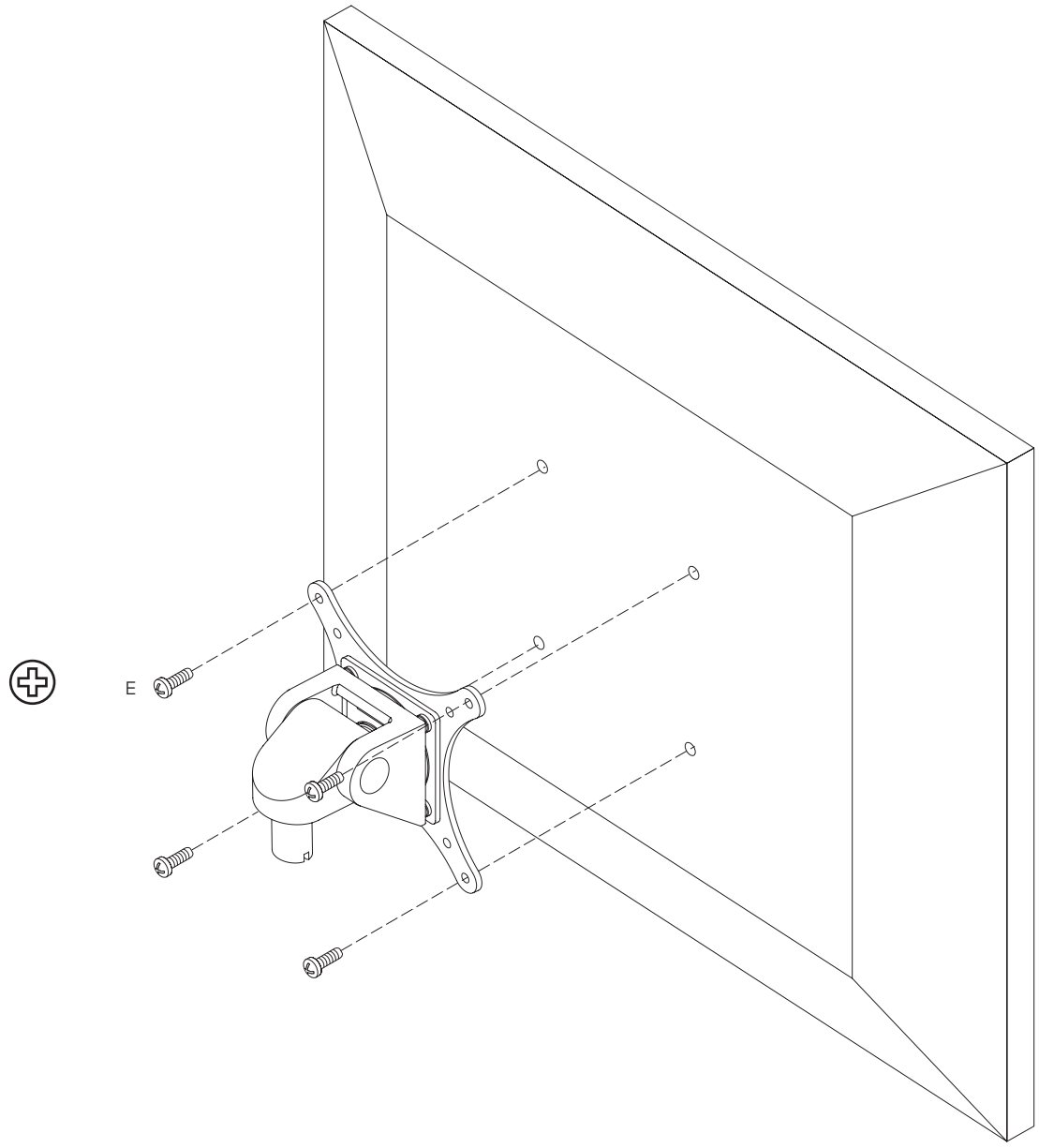


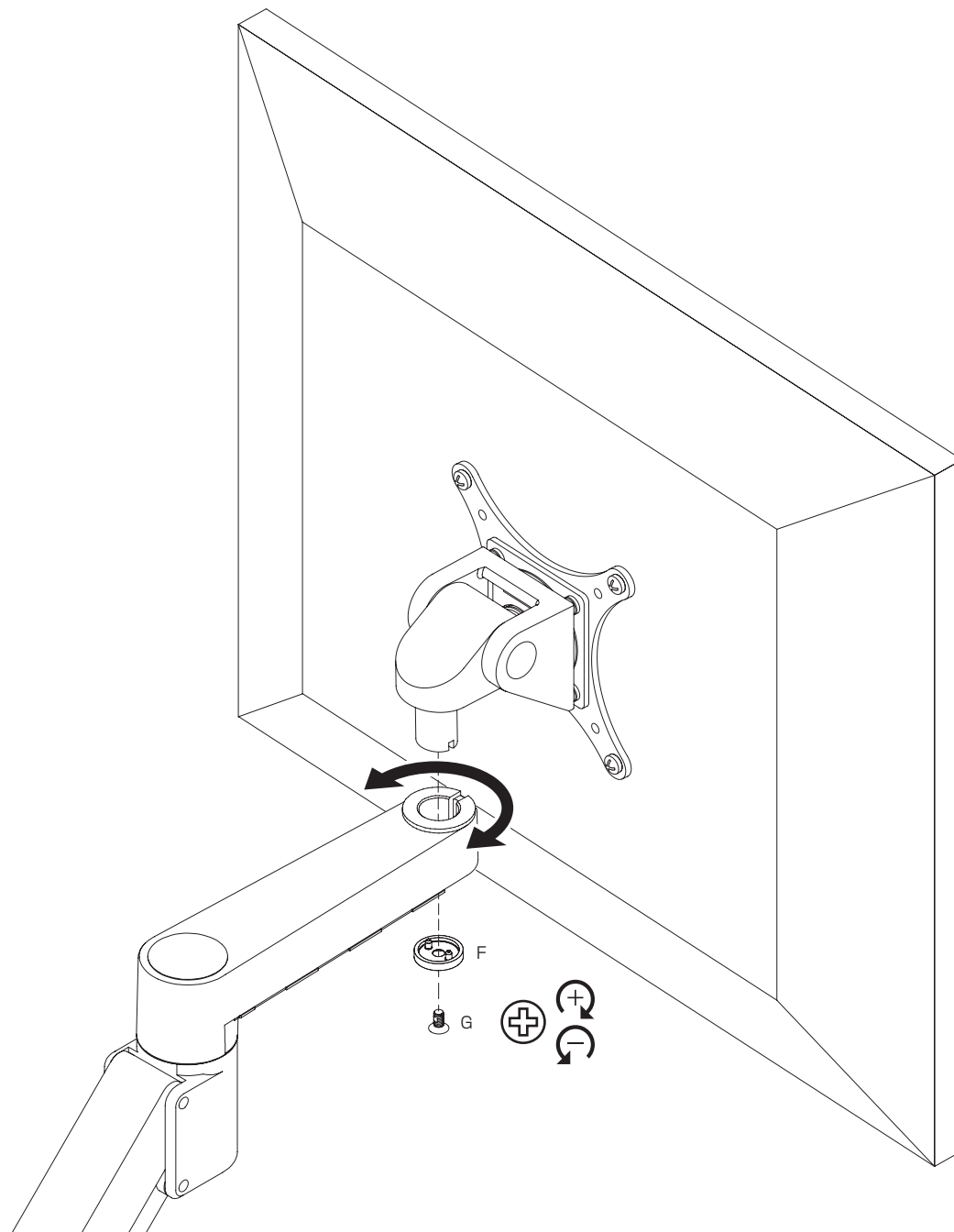
4

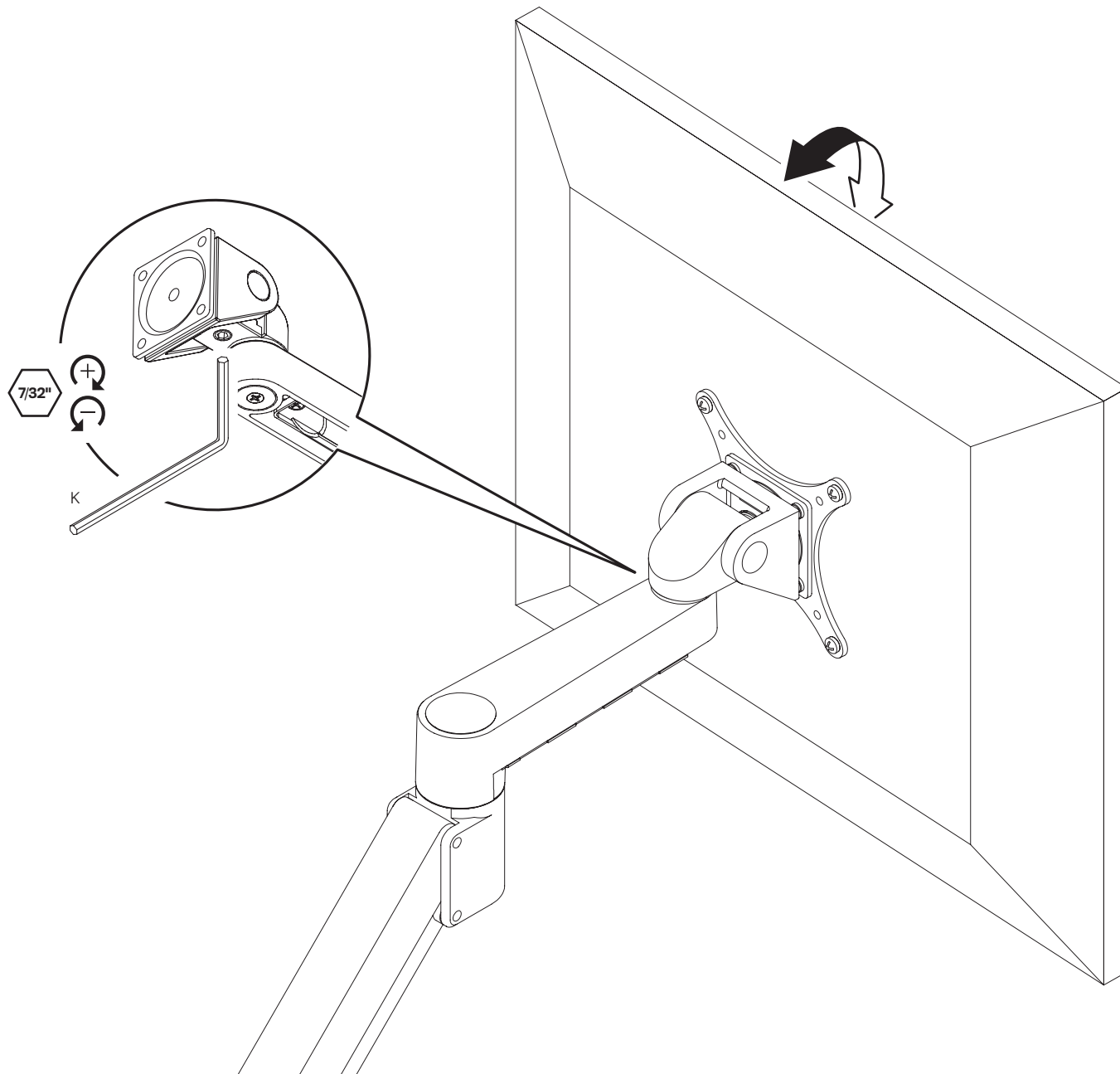








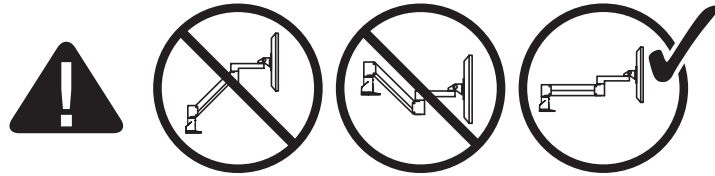




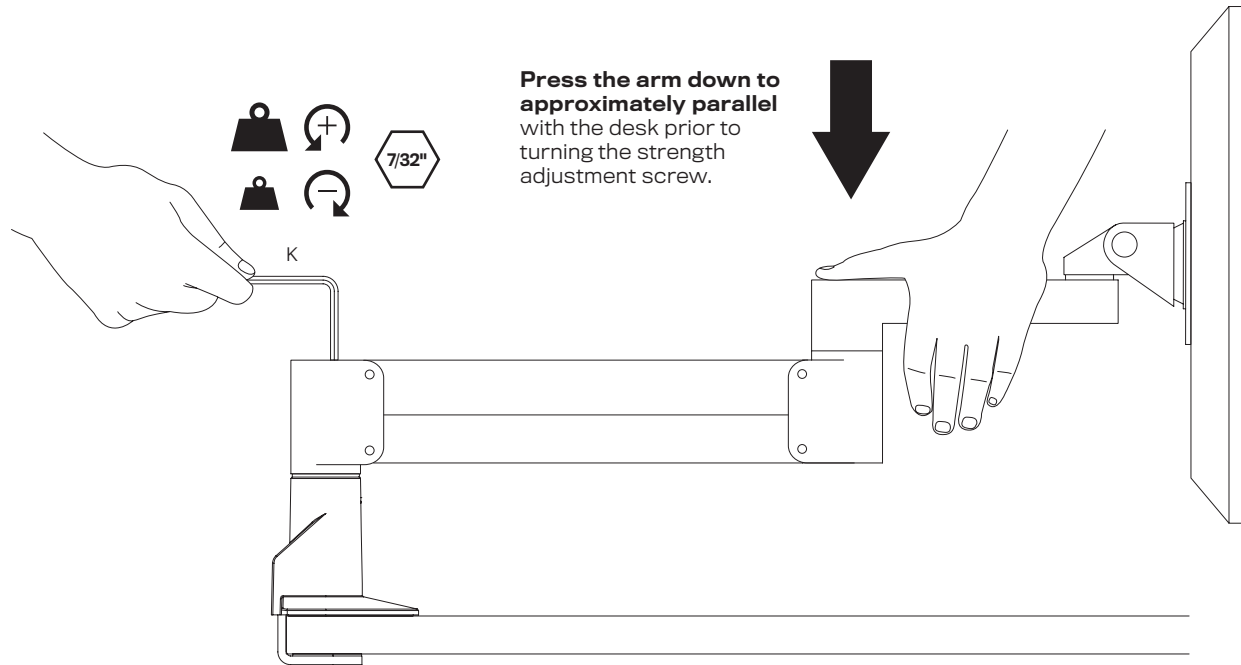
10

IMPORTANT!

- Monitor must be on arm
- Arm must be in mount



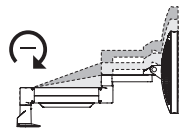
Press the arm down to approximately parallel with the desk prior to turning the strength adjustment screw.



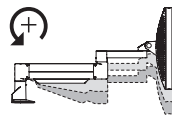
i Optional Adjustment

In some instances, an additional counterbalance adjustment may be needed to allow the arm's instant height adjustment function to work properly.

If your arm is not staying in position after performing step 10, tighten the adjustment screw as shown.

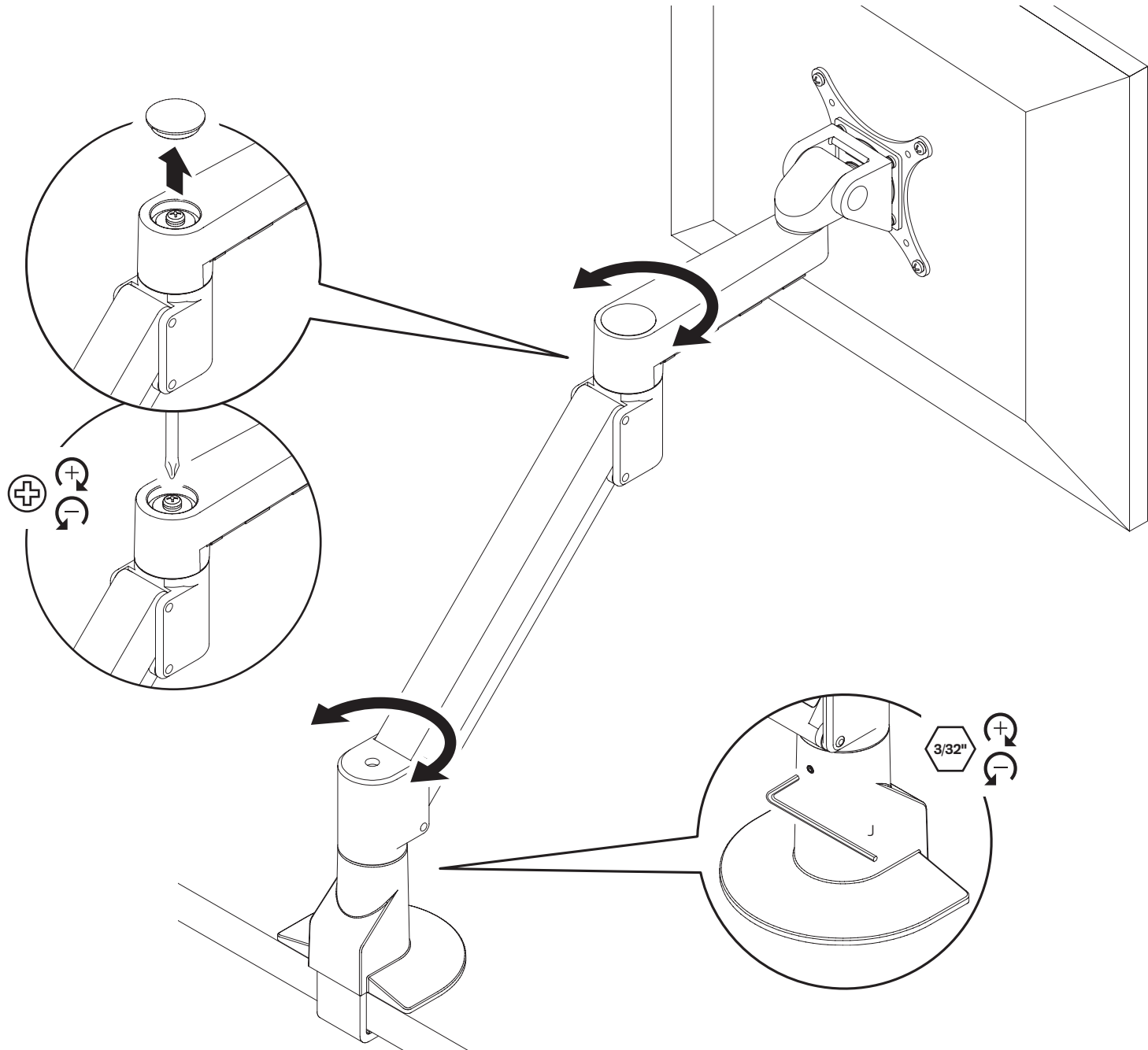


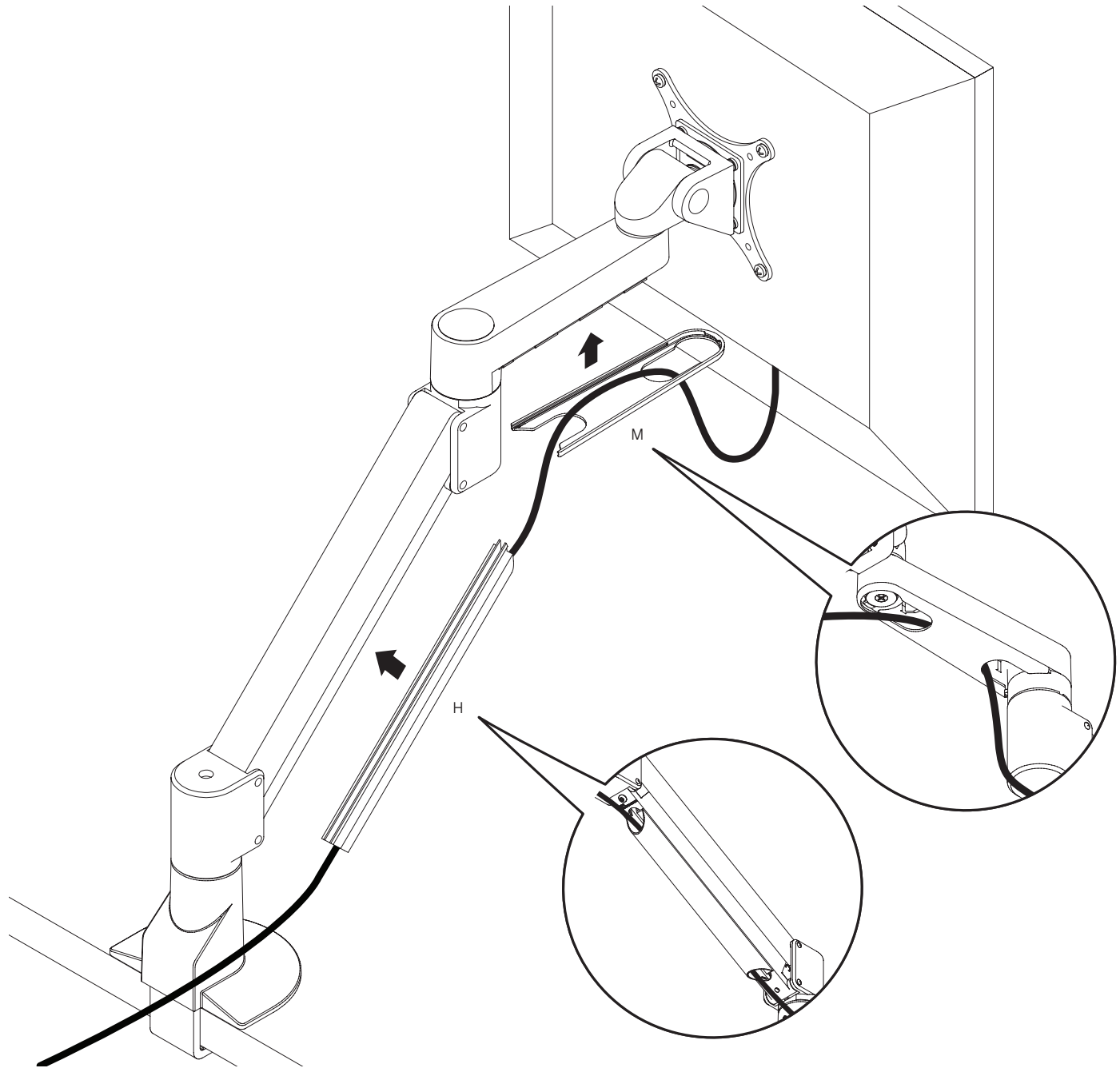
If the arm **drifts upward**, turn the adjustment screw clockwise.



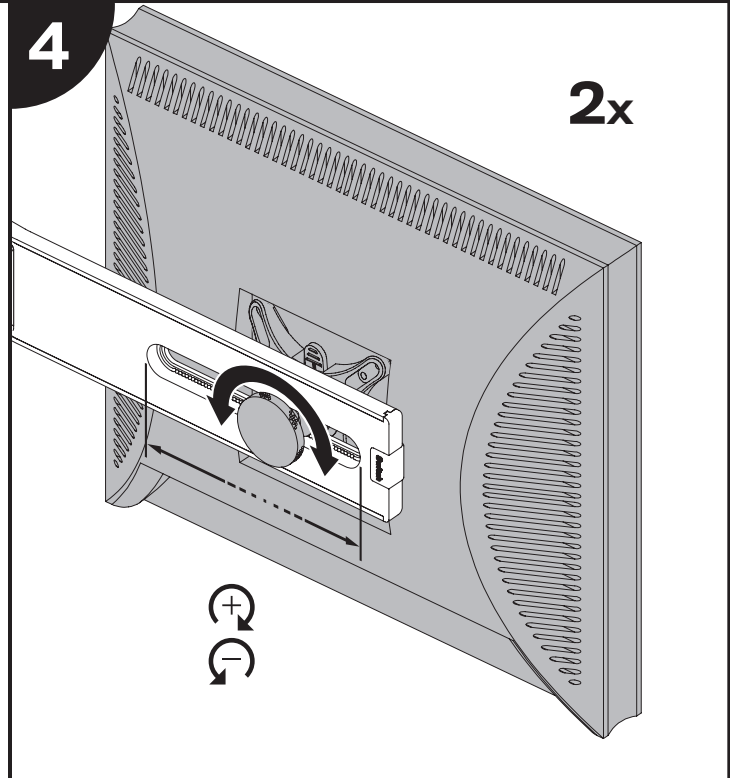
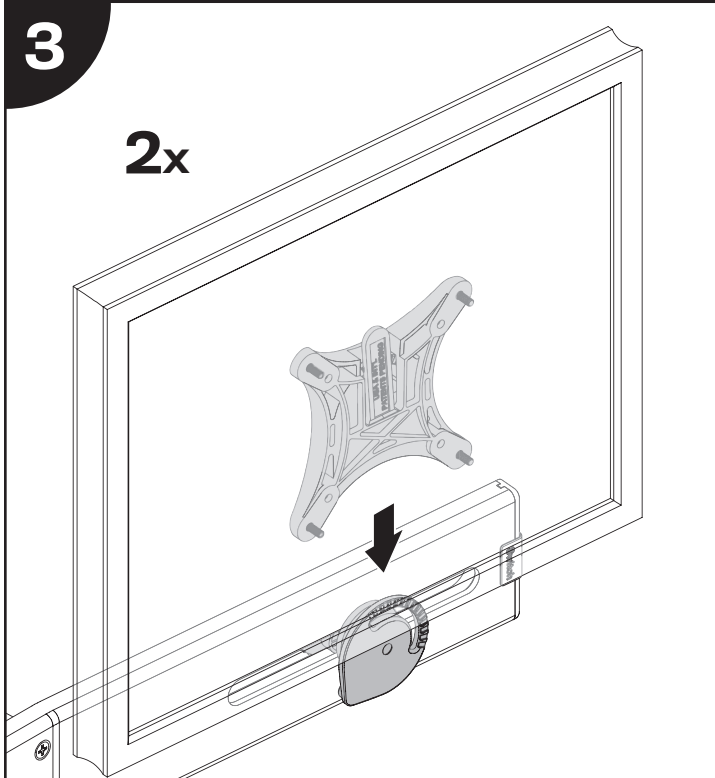
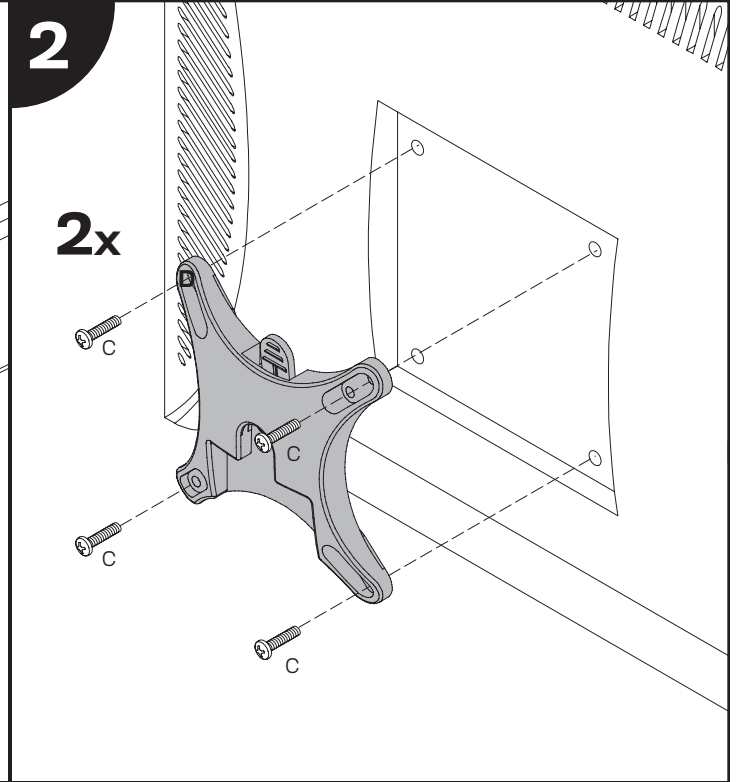
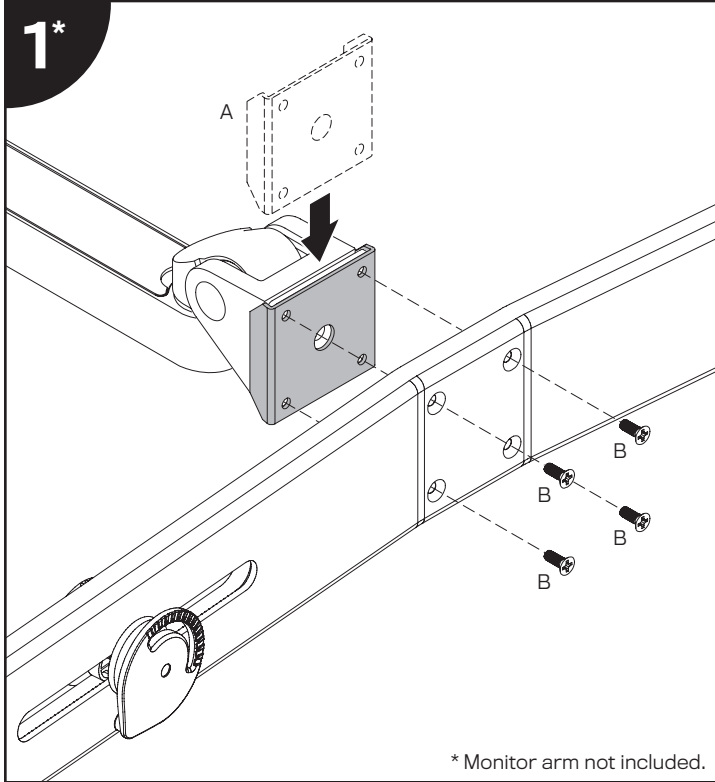
If the arm **drifts downward**, turn the adjustment screw counter-clockwise.

Depending on the weight of your monitor, **you may have to make 15-20 turns.**



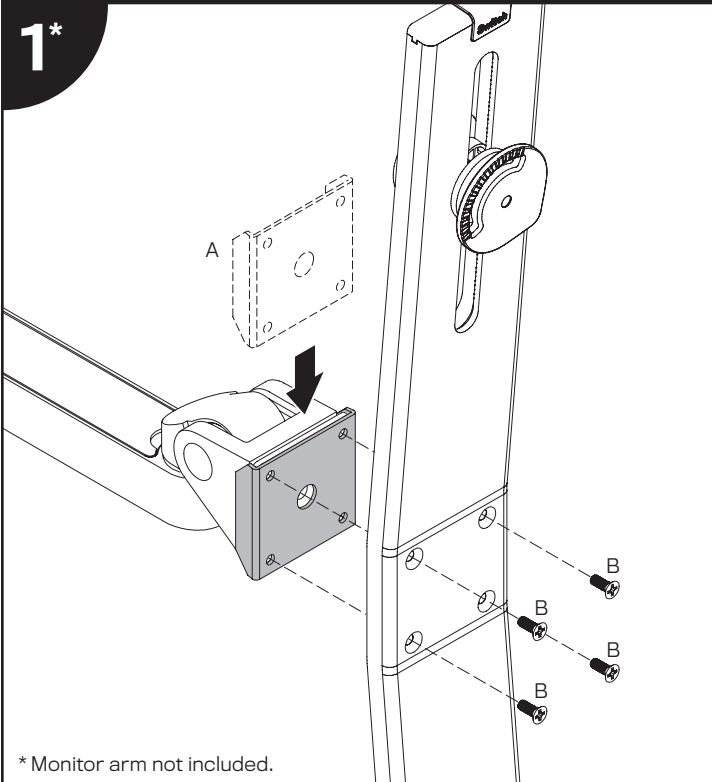


HORIZONTAL POSITIONING



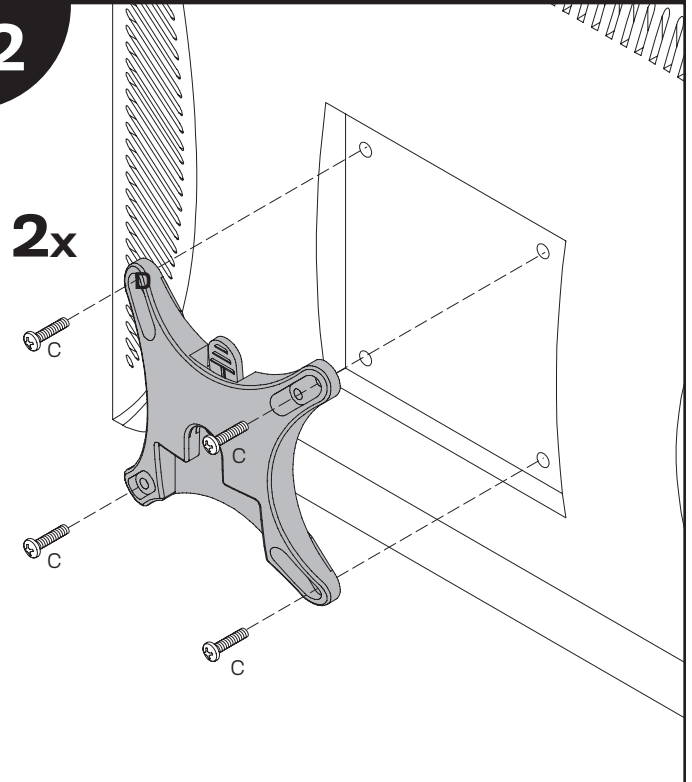
VERTICAL POSITIONING

1*



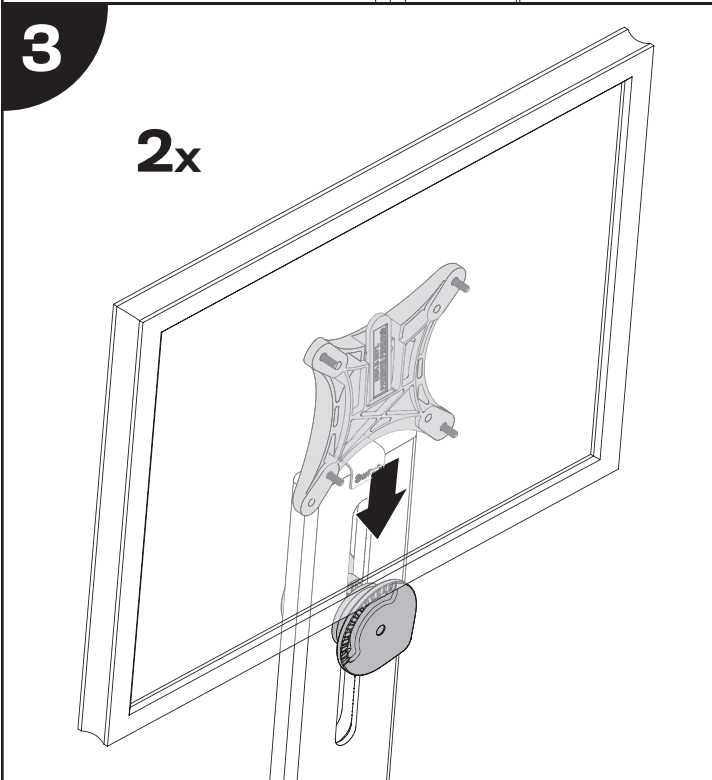
* Monitor arm not included.

2



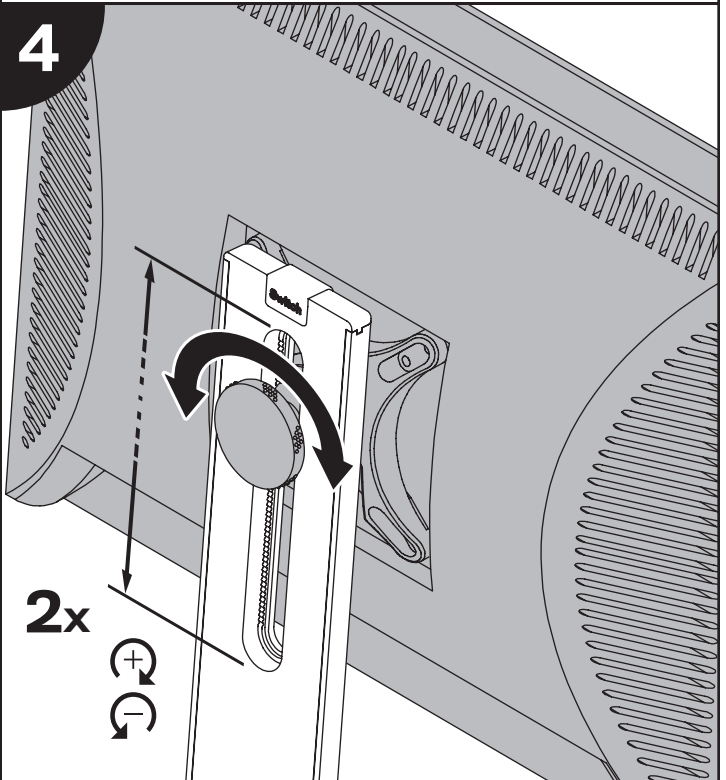
2x

3



2x

4



2x

PARTS LIST

ITEM	DESCRIPTION / PART NO.	QUANTITY
A 	Rotation Prevention Bracket 106271	1
B 	10-32 x 1/2" FPhMS 709129	4
C 	M4 x 12mm Pan Head Screw 701153	8
D 	75/100mm VESA* Adapter 109464	2