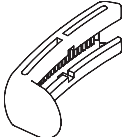


PARTS LIST

A Adjustable Clasp 4x
105479



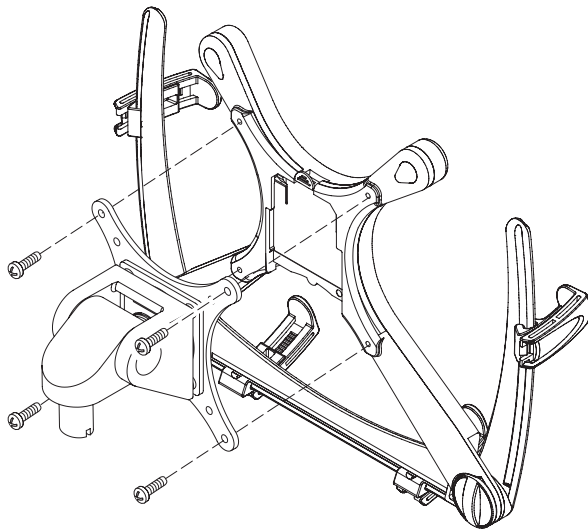
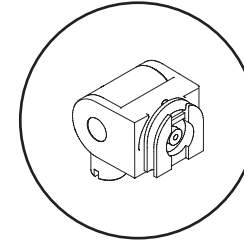
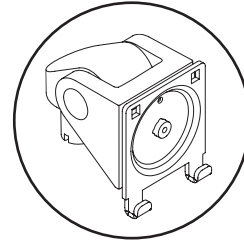
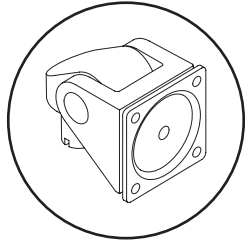
B Adjustable Clasp Base 4x
105478



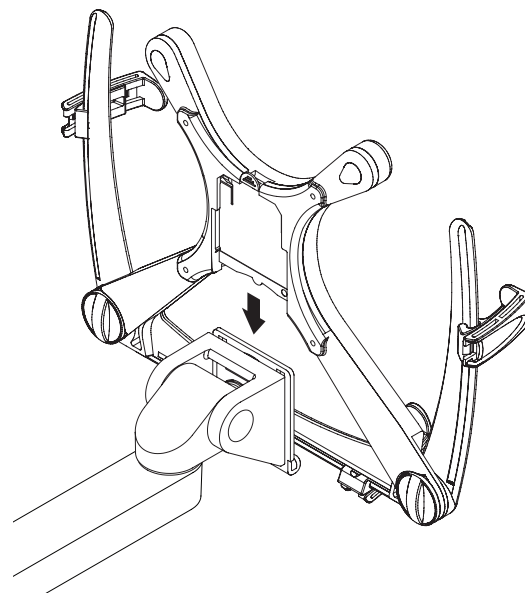
C Laptop Clip Shoe 4x
106096



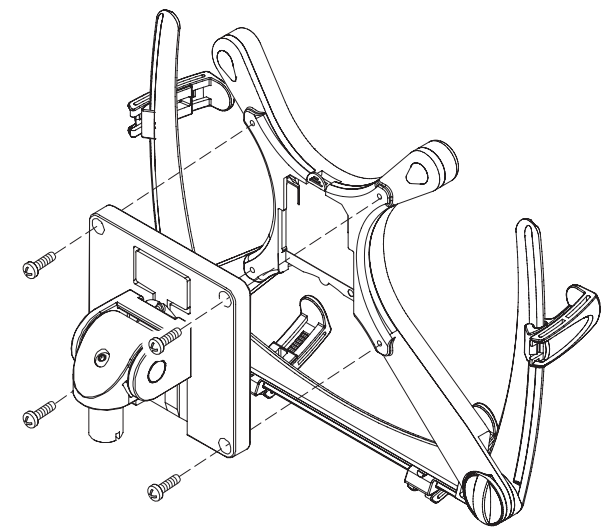
1



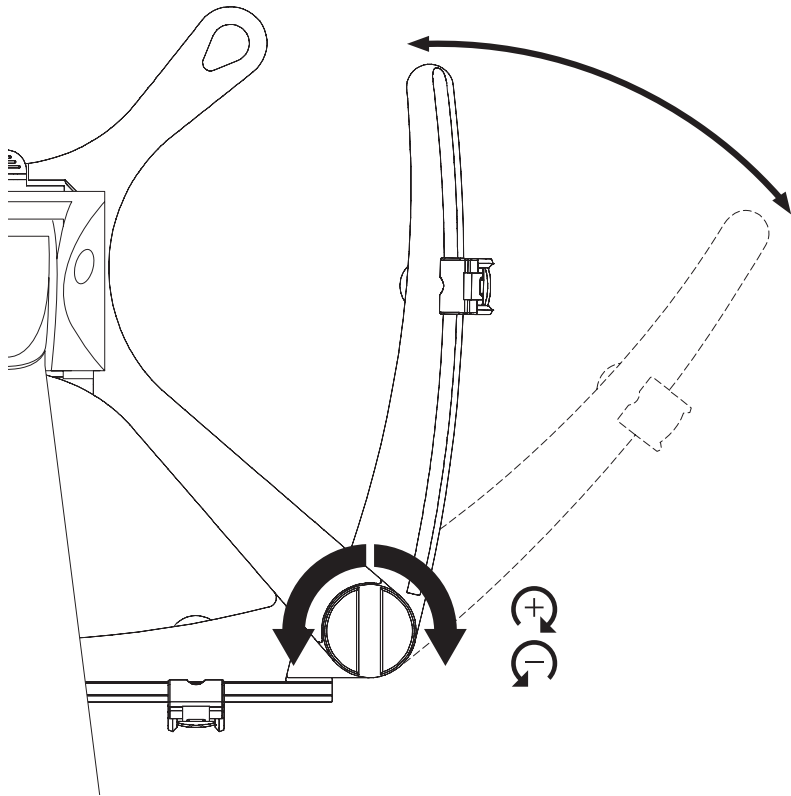
OR



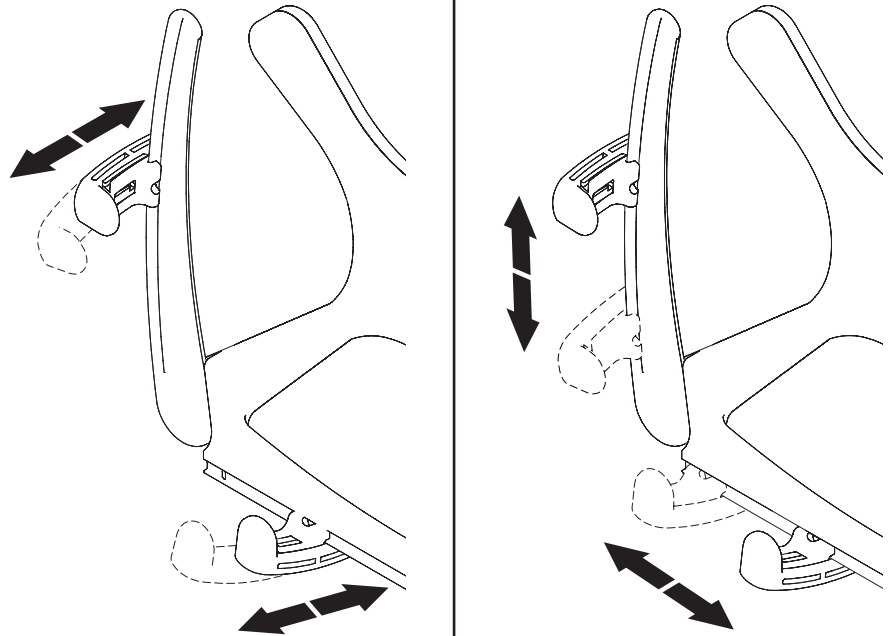
OR

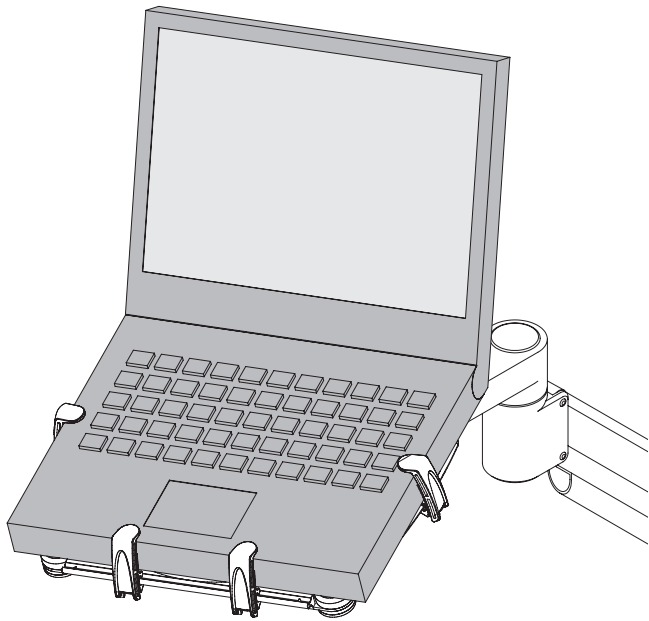


2

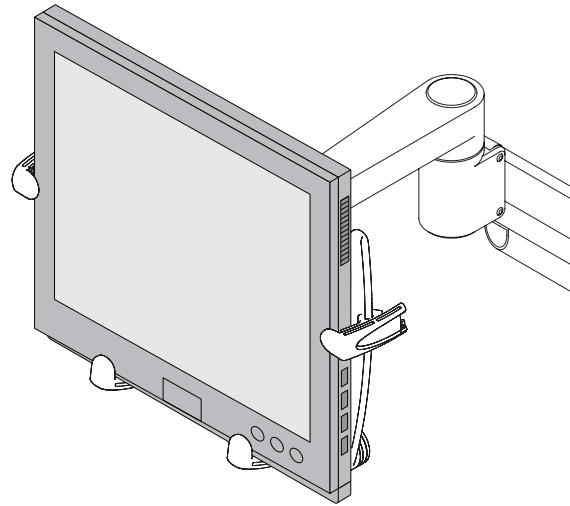


3

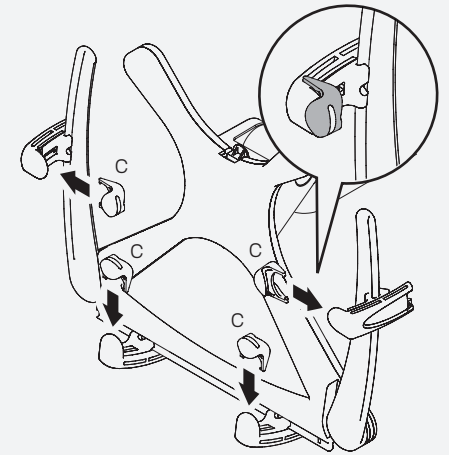


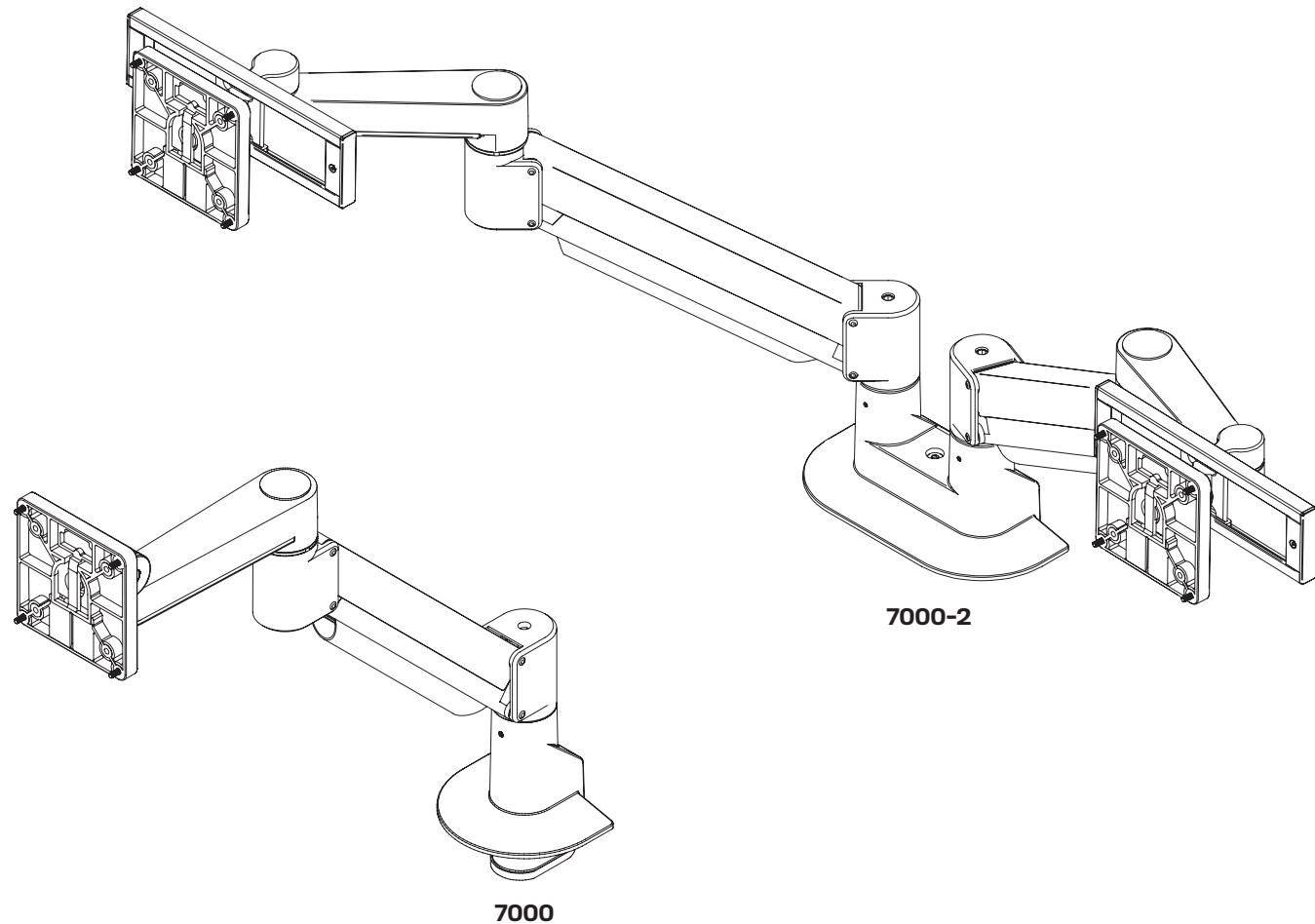


OR

**LAPTOP CLIP SHOES**

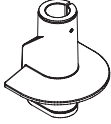
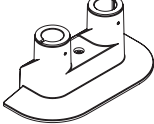
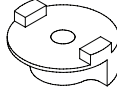
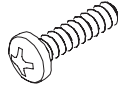
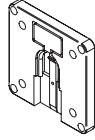
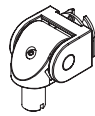
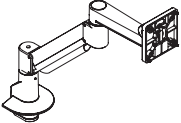
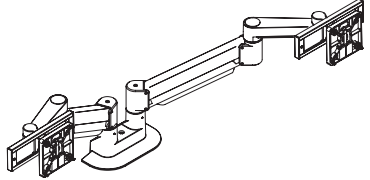
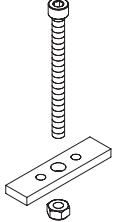
For ultra thin laptops/tablet PCs:
Install the laptop clip shoes (item C) that are provided to ensure a secure grasp.



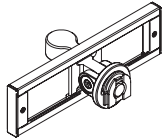
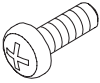
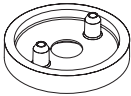

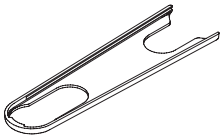
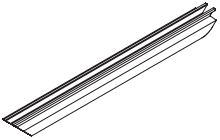
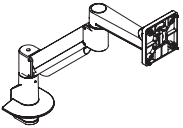
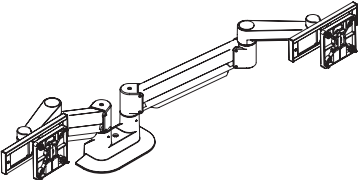
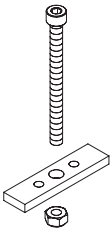


PARTS LIST



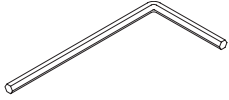
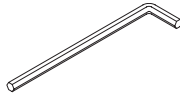
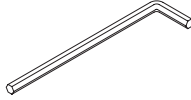
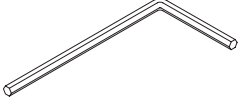
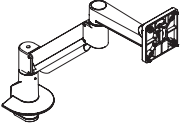
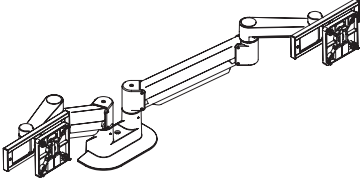
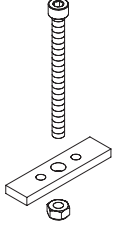
Note: Parts may be shipped in separate boxes, please review all packaging prior to discarding.

	A Single Top Down Mount 8524 	B Dual Top Down Mount 8524-2 	C 180 Degree Rotation Stop 108208-180 	D M6 x 1 x 18mm PhPHS 105304 	E Quick Connect VESA Plate 114808 	F Monitor Tilter 8500 Tilter 
7000 	1x	-	-	-	1x	1x
7000-2 	-	1x	2x	2x	2x	-
8524-TM-CK 	-	-	-	-	-	-

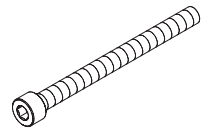
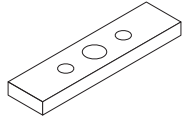
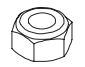
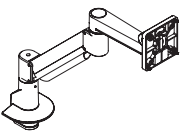
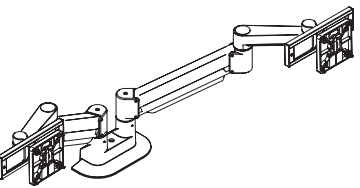
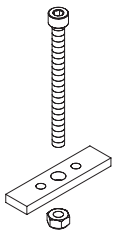
PARTS LIST CONTINUED

	G Slider 416088 	H M4 x 12mm PhPHS 701153 	I Dog Washer 105189 	J 10-32 x 3/8" FPhMS 705198 	K Forearm Cable Cap 115584 	L Cable Cap 114810 
7000 	-	4x	1x	1x	1x	1x
7000-2 	2x	8x	2x	2x	2x	2x
8524-TM-CK 	-	-	-	-	-	-

PARTS LIST CONTINUED

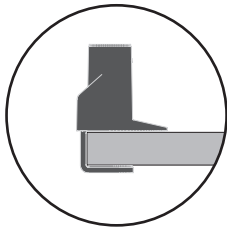
	M 3/32" Allen Wrench 700146 	N 1/8" Allen Wrench 701312 	O 7/32" Allen Wrench 701127 	P 4mm Allen Wrench 709877 	Q 5mm Allen Wrench 710838 	R 6mm Allen Wrench 717654 
7000 	1x	1x	1x	-	-	1x
7000-2 	1x	1x	1x	1x	1x	-
8524-TM-CK 	-	-	-	-	-	-

PARTS LIST CONTINUED

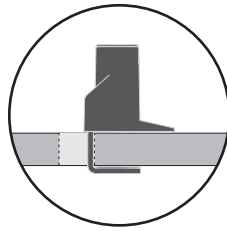
	<p>S M8 x 100mm SHCS 712262</p> 	<p>T Spacer 701544</p> 	<p>U M8 x 1.25 Lock Nut 710015</p> 
<p>7000</p> 	-	-	-
<p>7000-2</p> 	-	-	-
<p>8524-TM-CK</p> 	1x	1x	1x

DESK CLAMP CONFIGURATION - TOP DOWN MOUNT

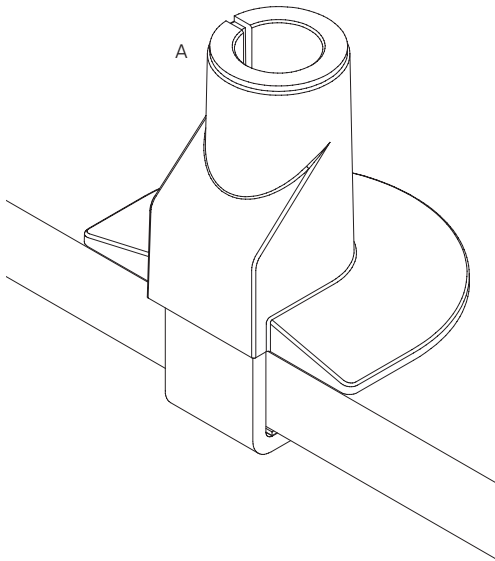
1



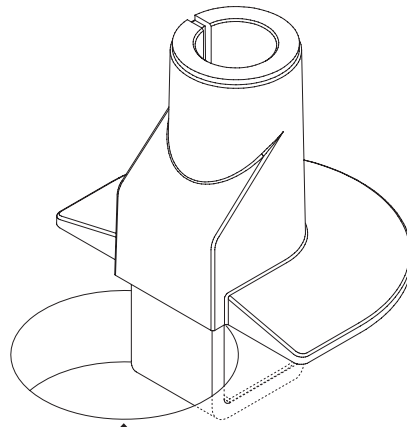
Desk thickness
up to 1.5" (38mm)



Desk thickness
up to 1.5" (38mm)

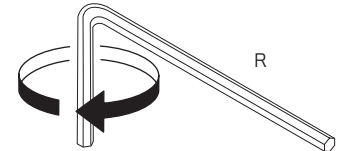


OR

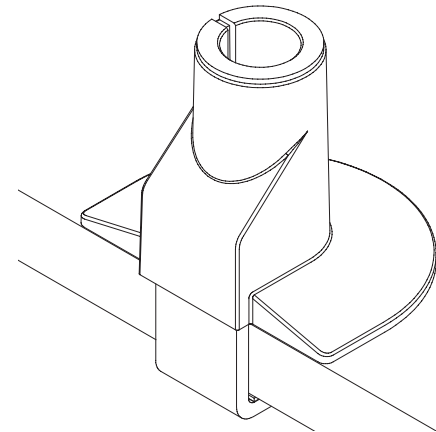


Ø 2" (51mm)
minimum

2

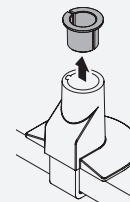


Tighten to
60-80 in-lbs.

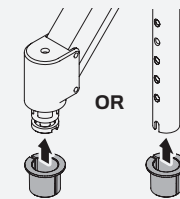


If the monitor arm or pole does not easily fit into the mount, remove the bushing from the mount and place it on the monitor arm or pole and press firmly back into the mount.

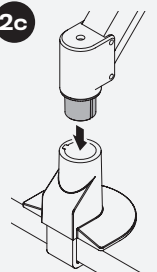
2a



2b

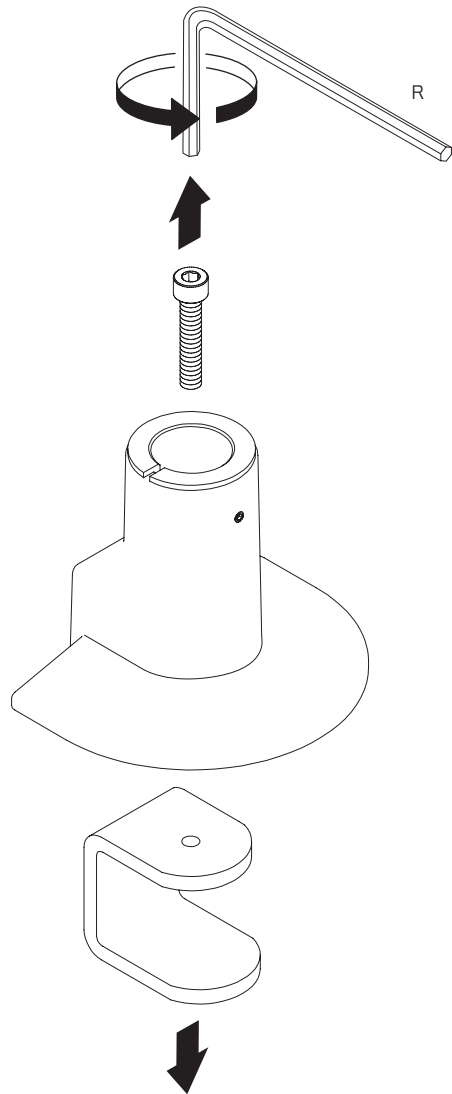


2c

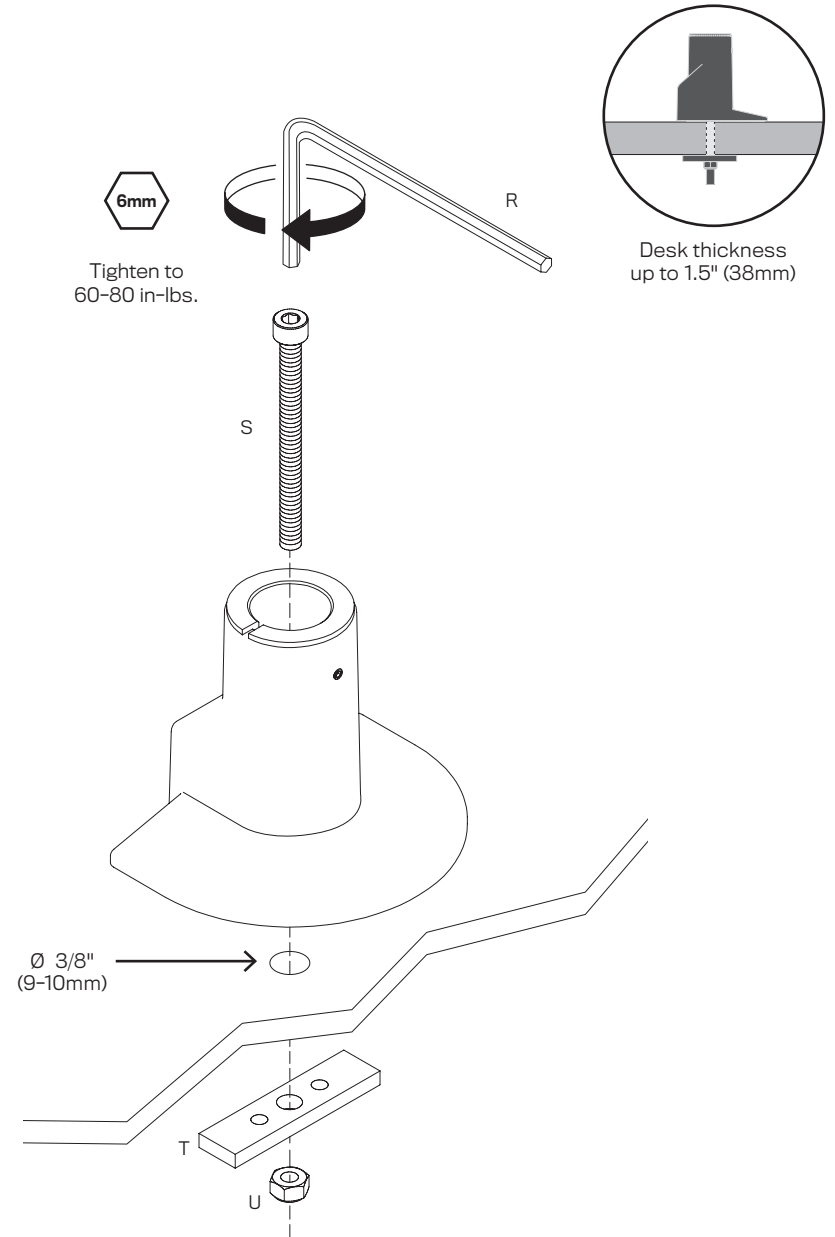


THRU-DESK CONFIGURATION* - TOP DOWN MOUNT

3

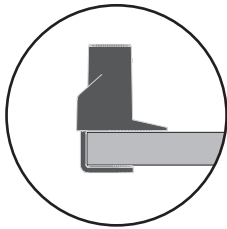


4

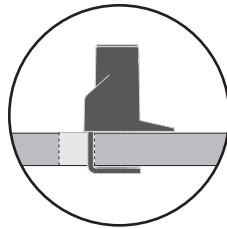


DESK CLAMP CONFIGURATION - TOP DOWN MOUNT DUAL

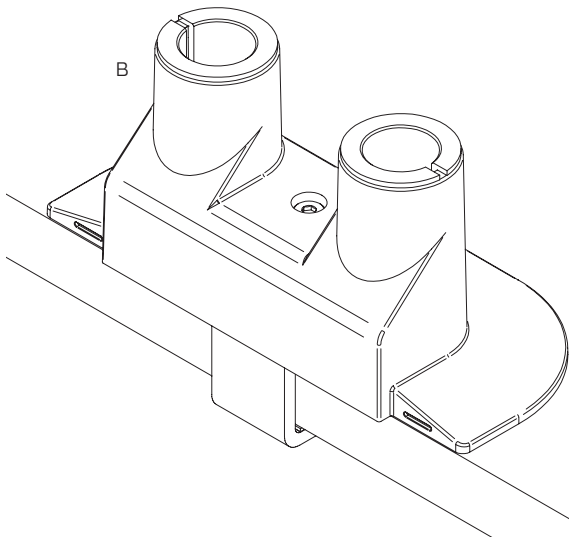
5



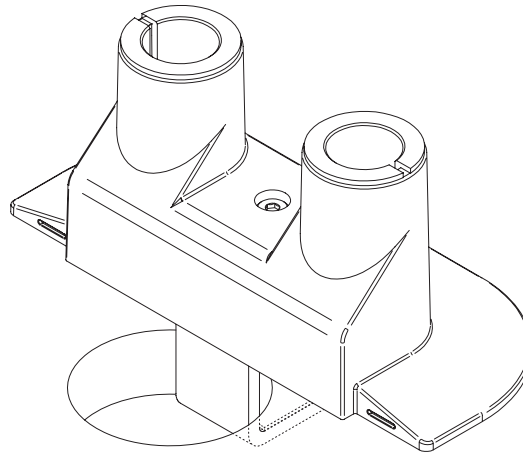
Desk thickness
up to 1.5" (38mm)



Desk thickness
up to 1.5" (38mm)



OR

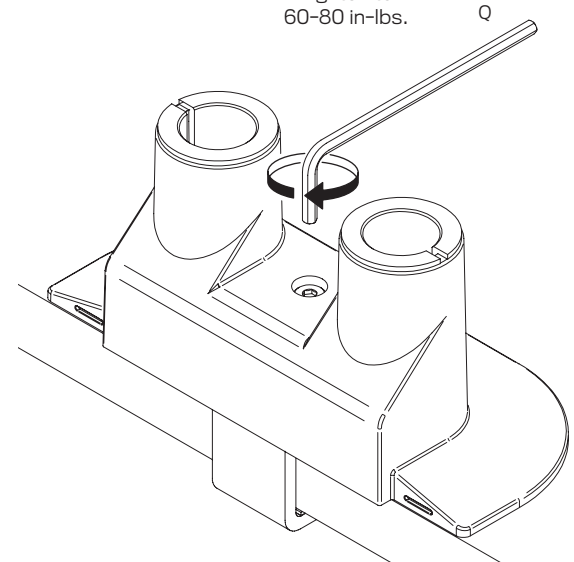


Ø 2" (51mm)
minimum

6

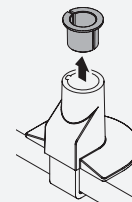


Tighten to
60-80 in-lbs.

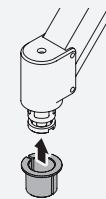


If the monitor arm does not easily fit into the mount, remove the bushing from the mount and place it on the monitor arm and press firmly back into the mount.

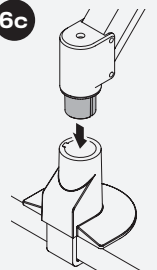
6a



6b

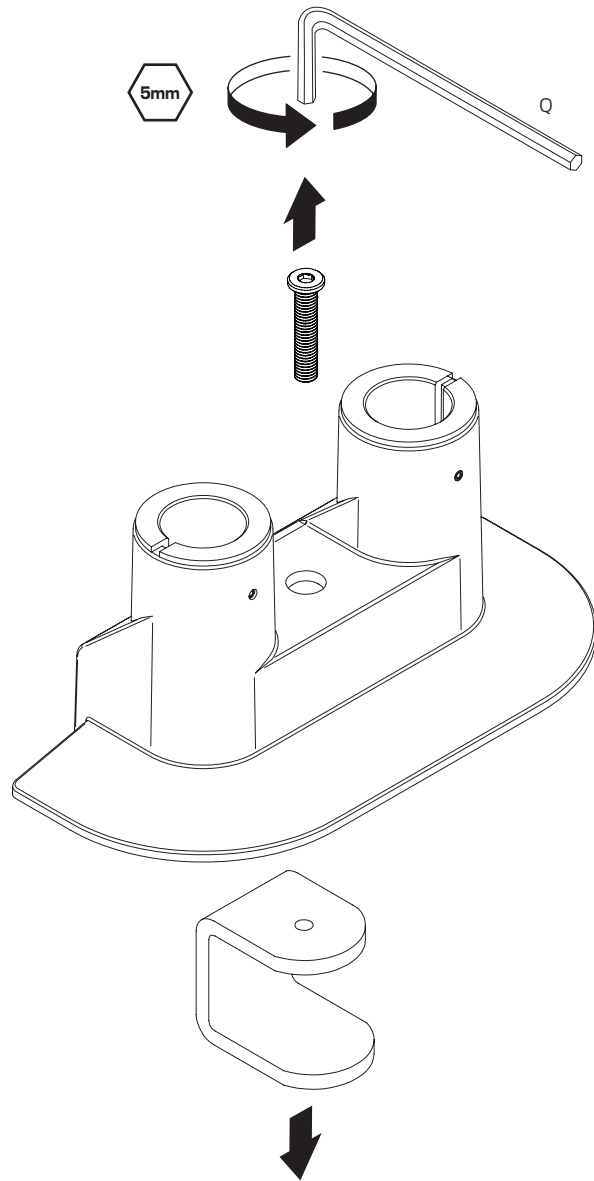


6c

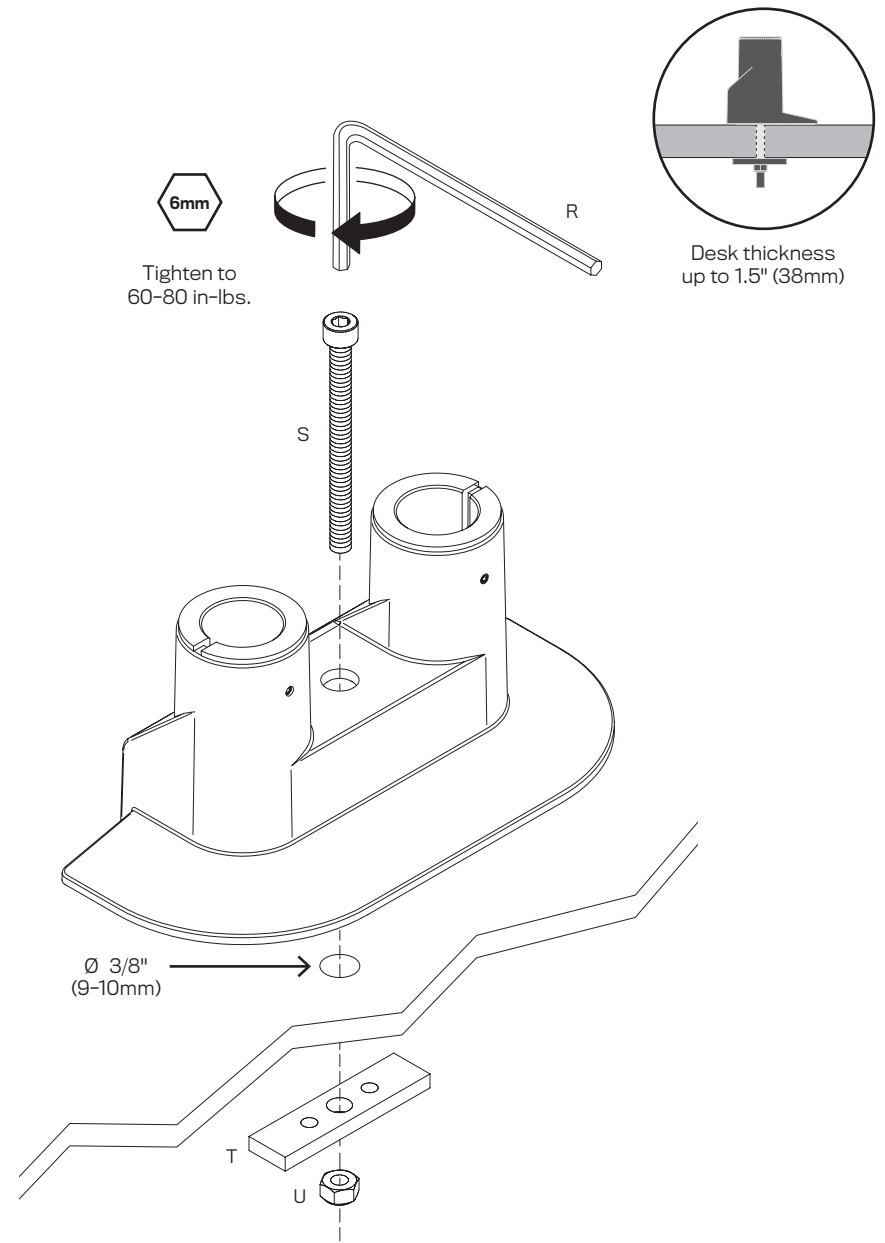


THRU-DESK CONFIGURATION* - TOP DOWN MOUNT DUAL

7

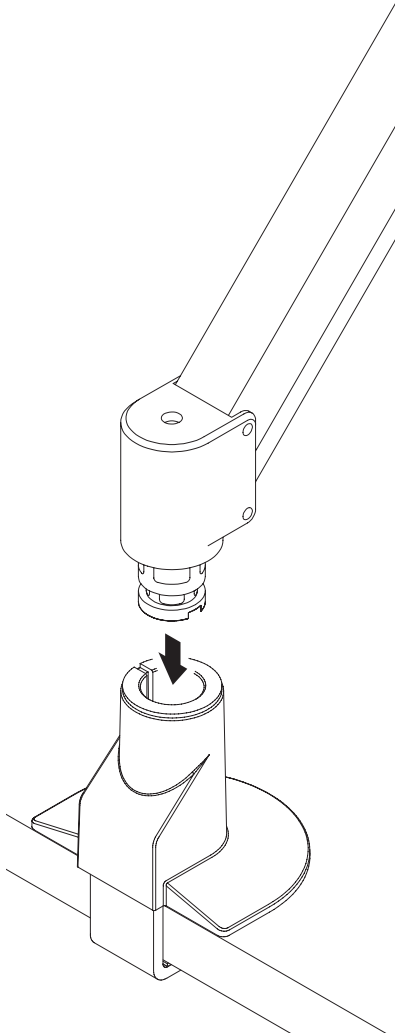


8

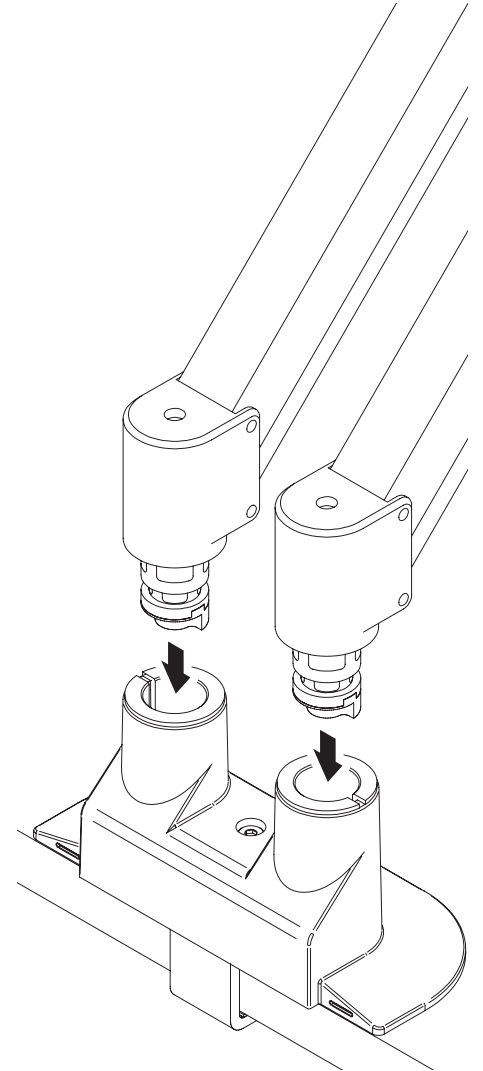
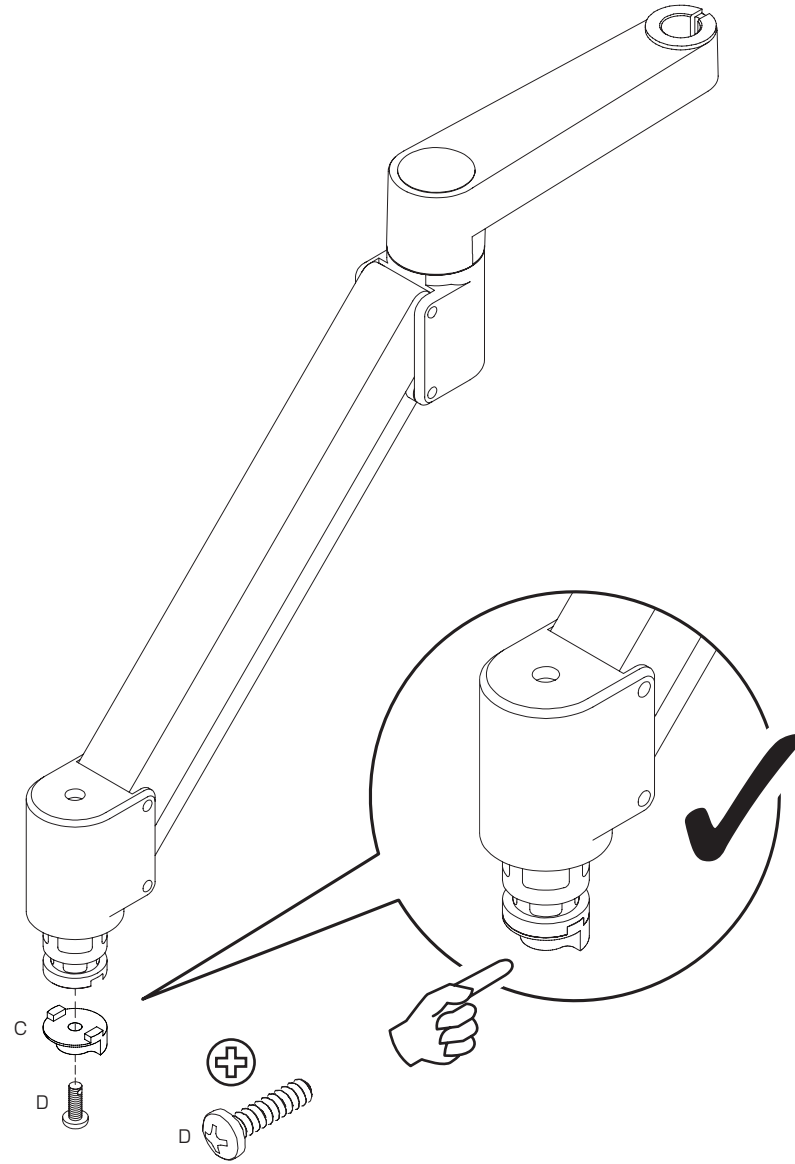


INSERT ARM(S) IN MOUNT

9a 7000 SINGLE MONITOR ARM

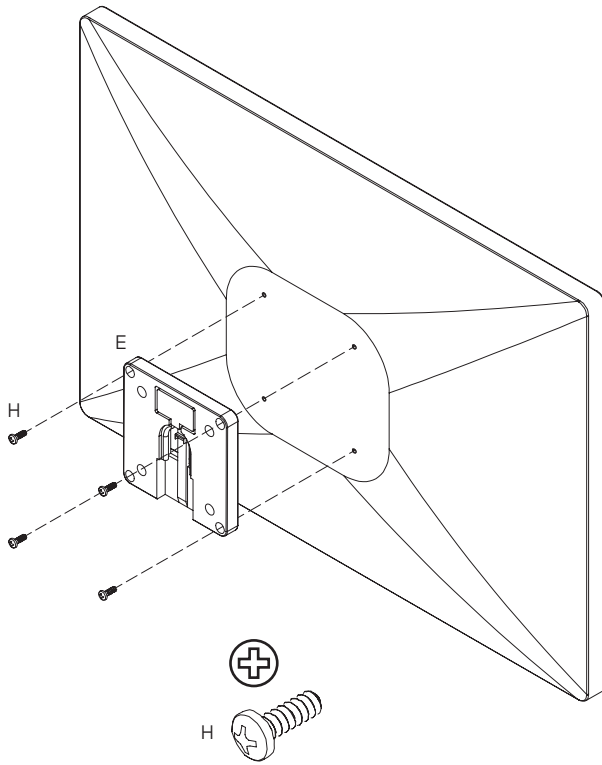


9b 7000-2 DUAL MONITOR ARM

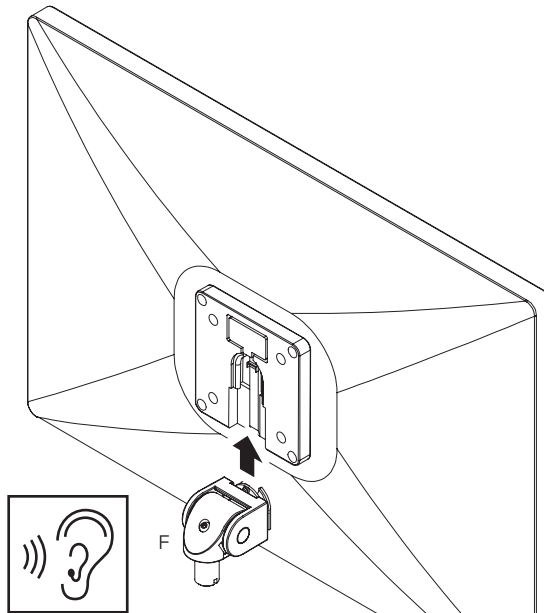


TILTER W/ QUICK CONNECT VESA PLATE ASSEMBLY

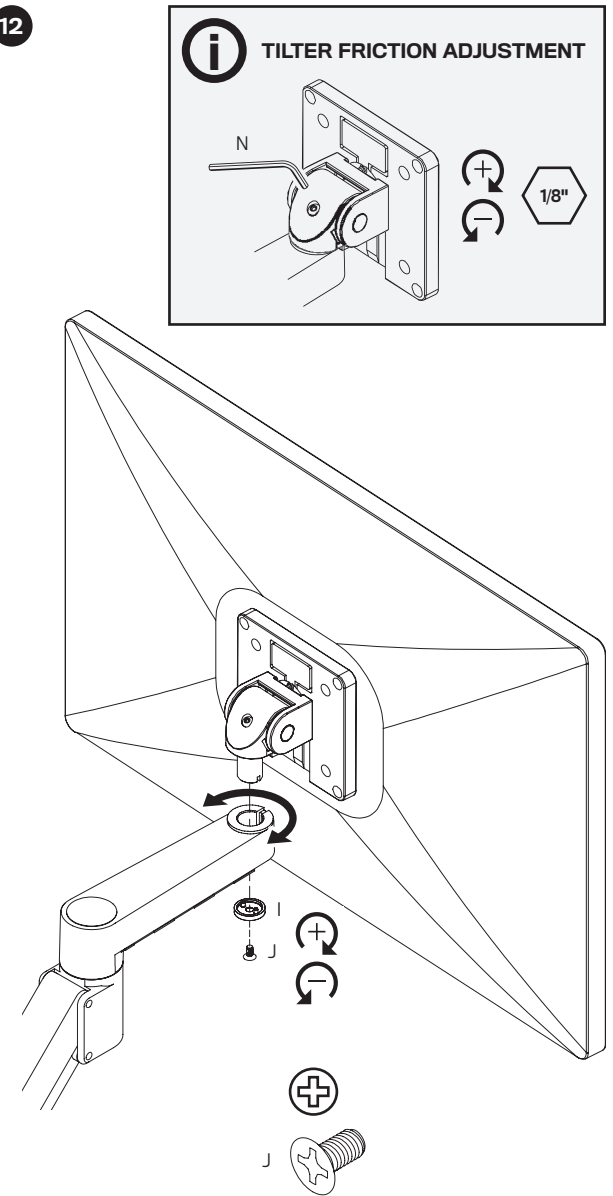
10



11

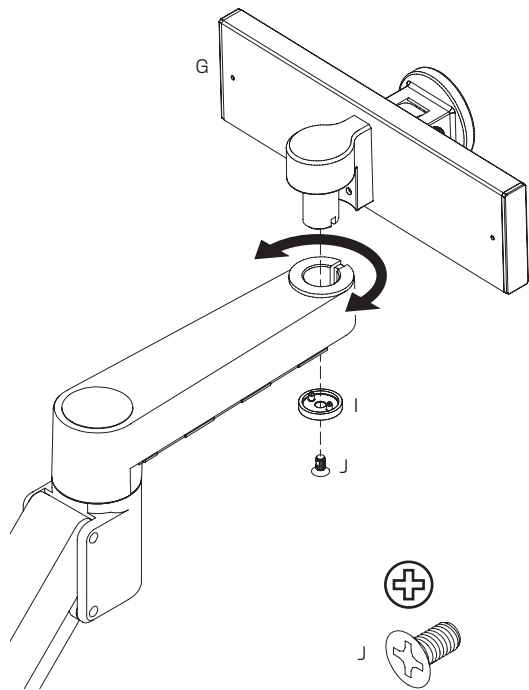


12

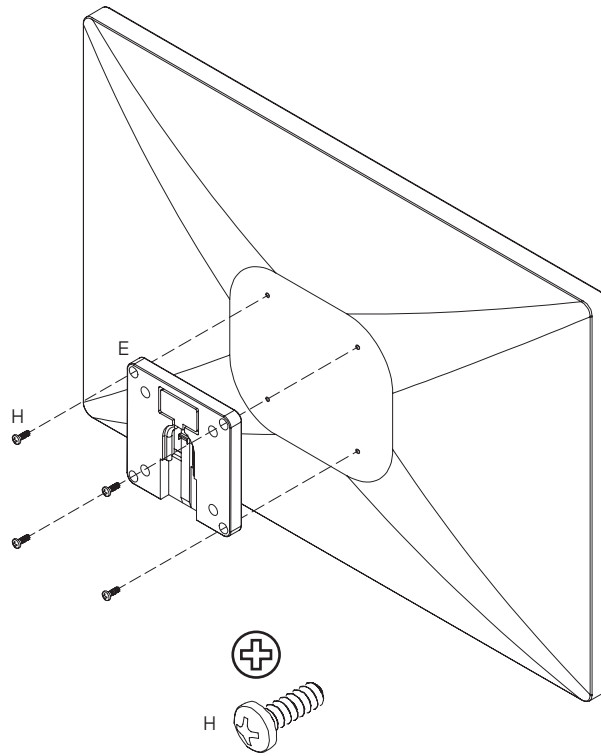


SLIDER W/ QUICK CONNECT VESA PLATE ASSEMBLY

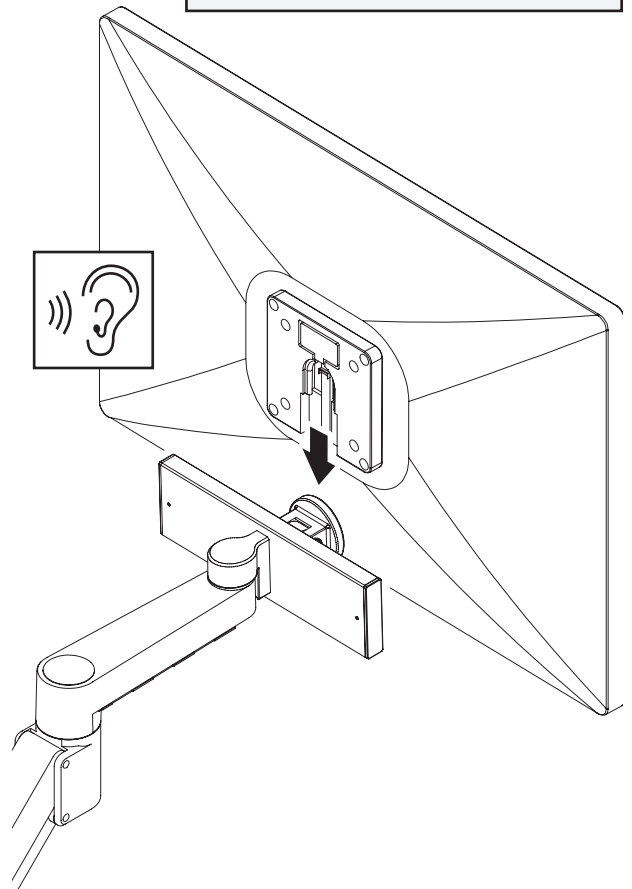
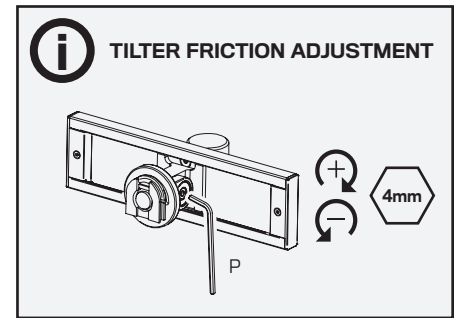
13



14



15

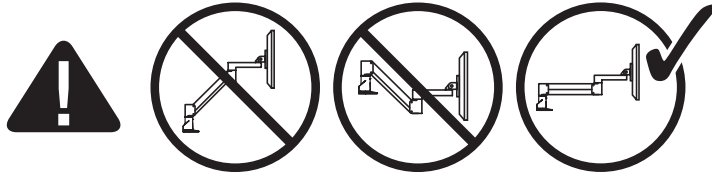


COUNTERBALANCE ADJUSTMENT

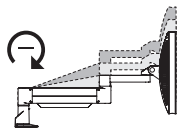
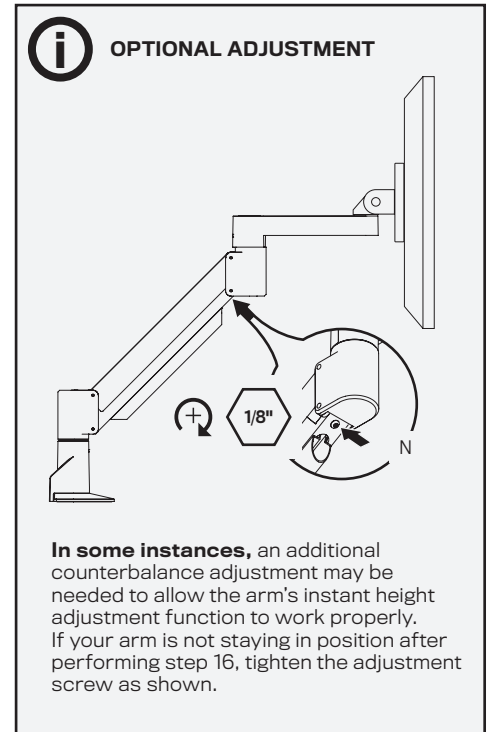
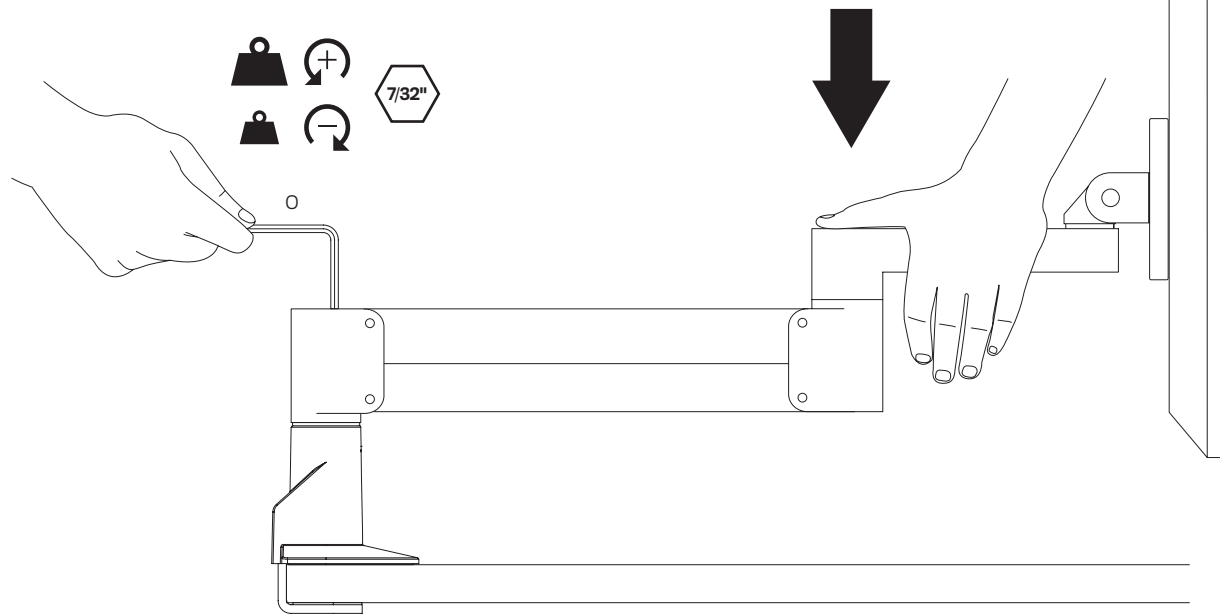
16

IMPORTANT!

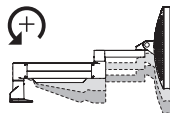
- Monitor must be on arm
- Arm must be in mount



Press the arm down to approximately parallel with the desk prior to turning the strength adjustment screw.



If the arm **drifts upward**, turn the adjustment screw clockwise.

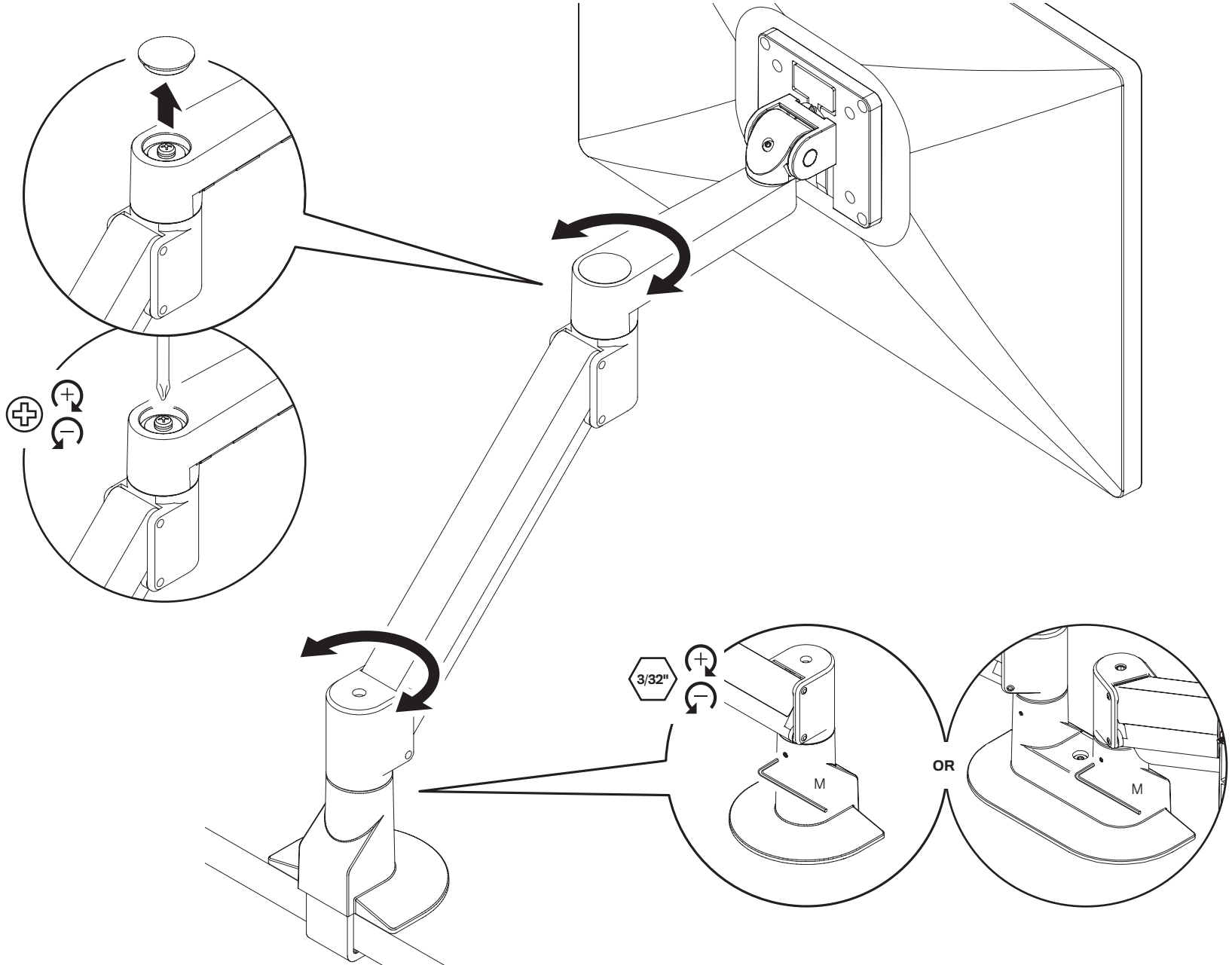


If the arm **drifts downward**, turn the adjustment screw counter-clockwise.

Depending on the weight of your monitor, **you may have to make 15-20 turns.**

ROTATION FRICTION ADJUSTMENT

17



CABLE MANAGEMENT

18

