

# PARTS LIST

**NOTE:** THERE MAY BE  
ADDITIONAL PARTS UNDER TRAY.  
PLEASE REVIEW ENTIRE PACKAGE  
PRIOR TO DISCARDING.

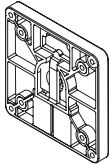
A Wall Mount  
RP406795



F 10-32 x 3/8" FPhMS w/Lock Patch  
705198



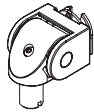
B Quick Connect VESA Plate  
114808



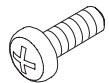
G 1/8" Allen Wrench  
701312



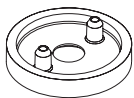
C Monitor Tilter  
8500 Tilter



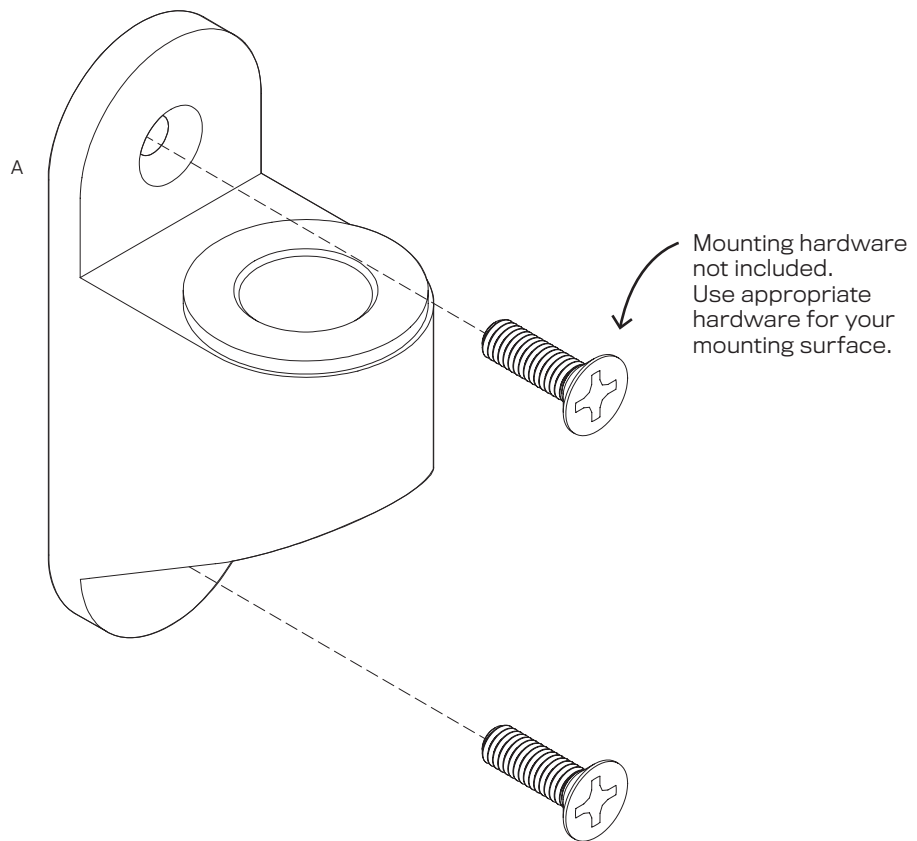
D M4 x 12mm Phillips Pan Head Screw (4-pack)  
702096

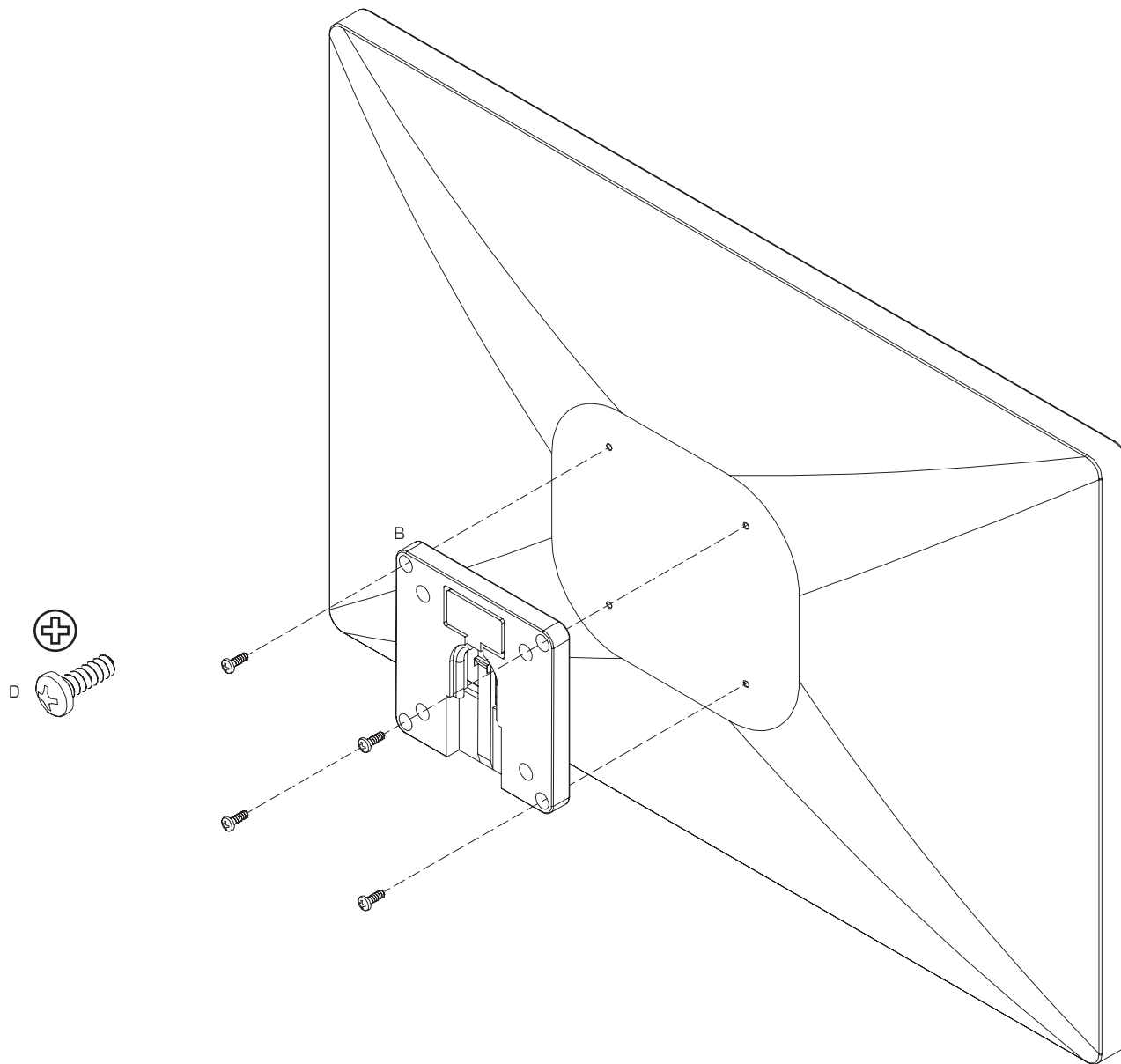


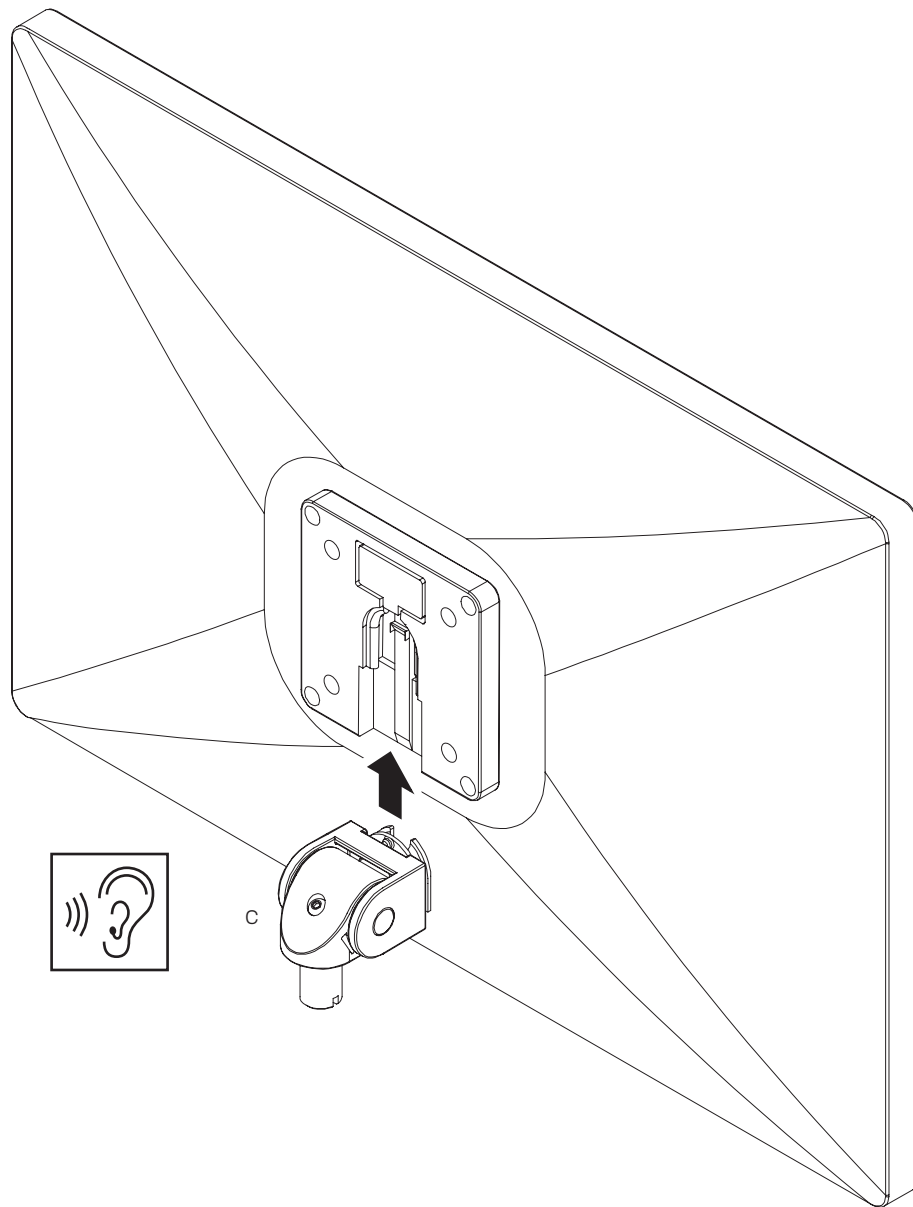
E Dog Washer  
105189



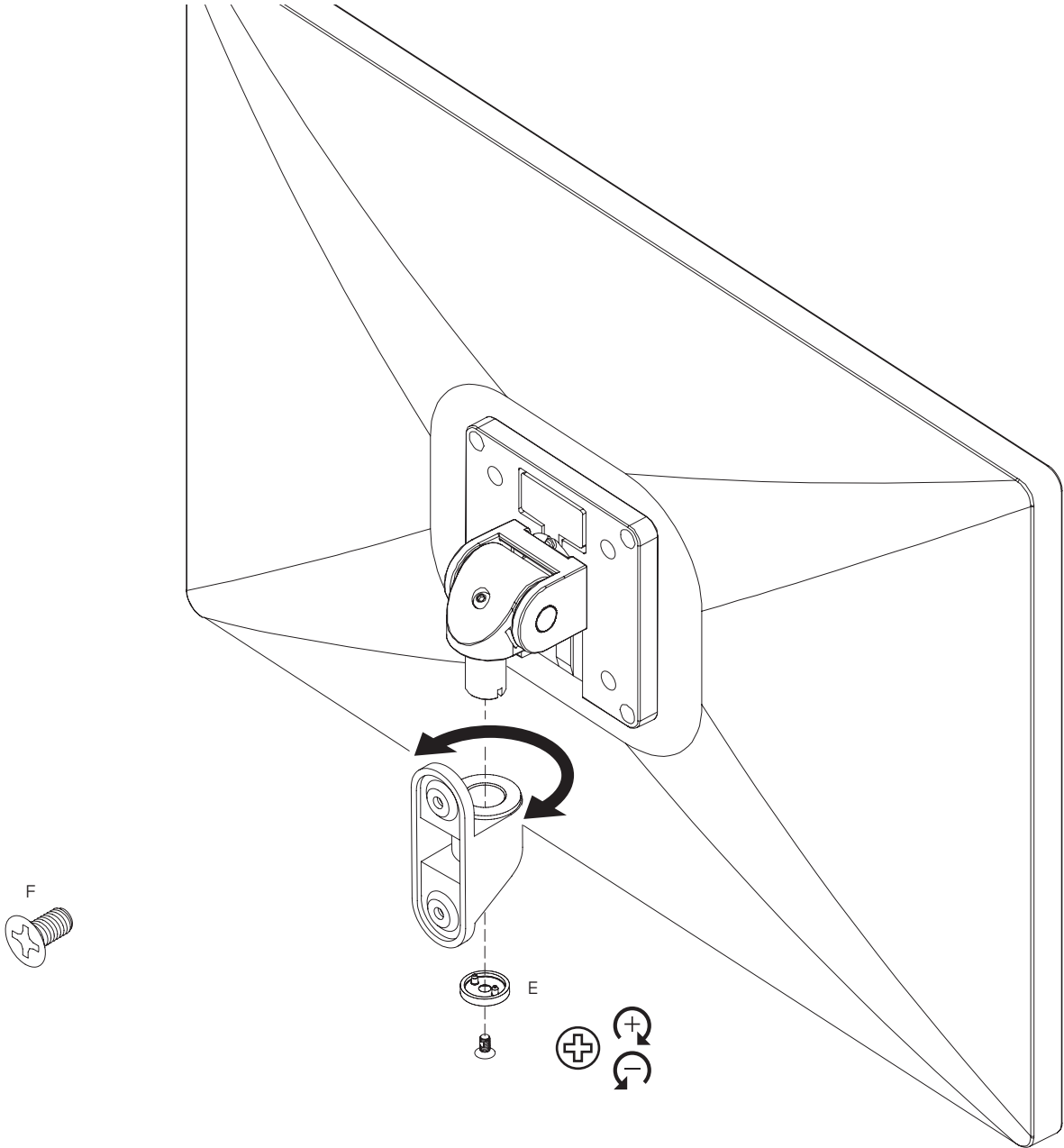
1



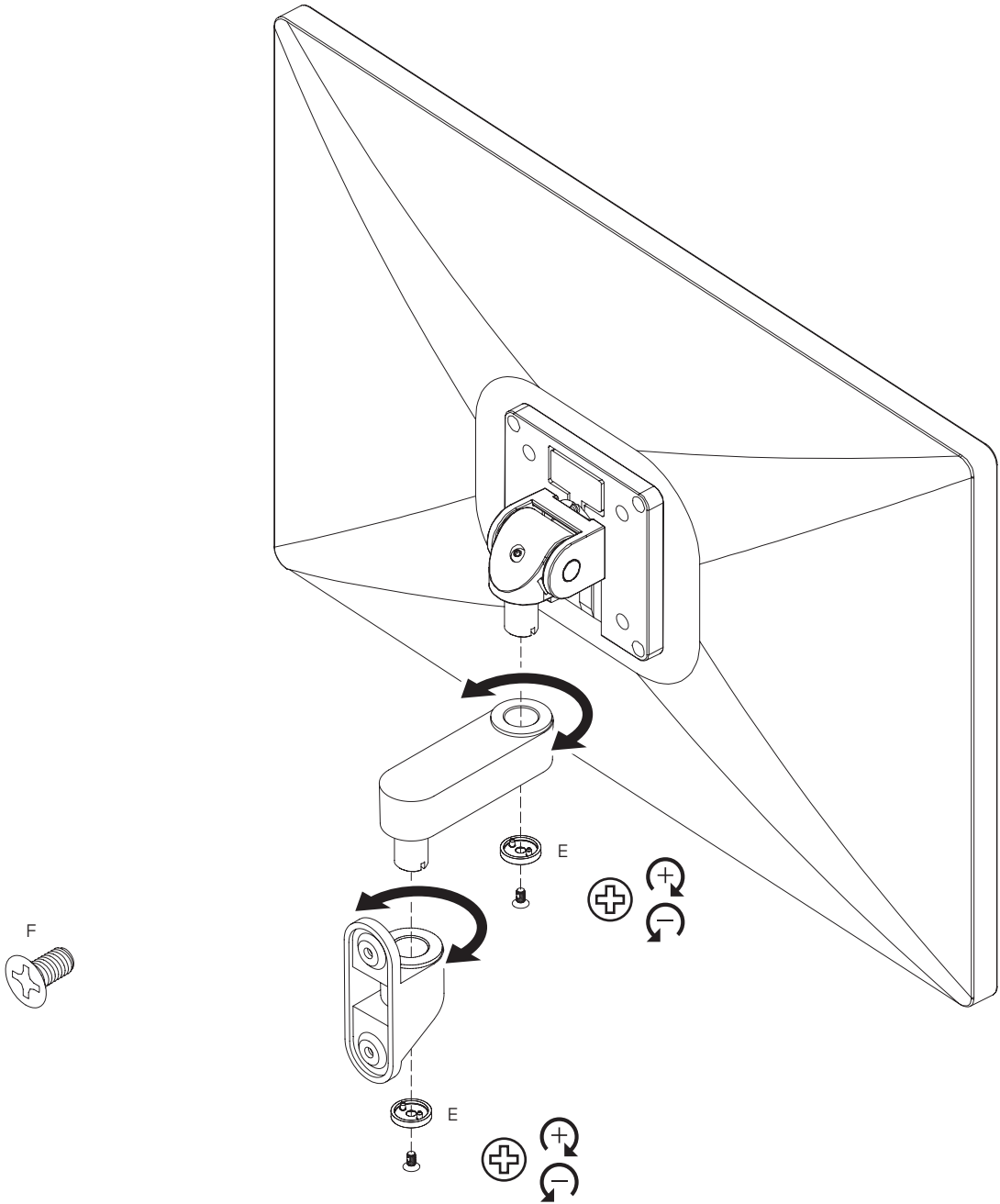




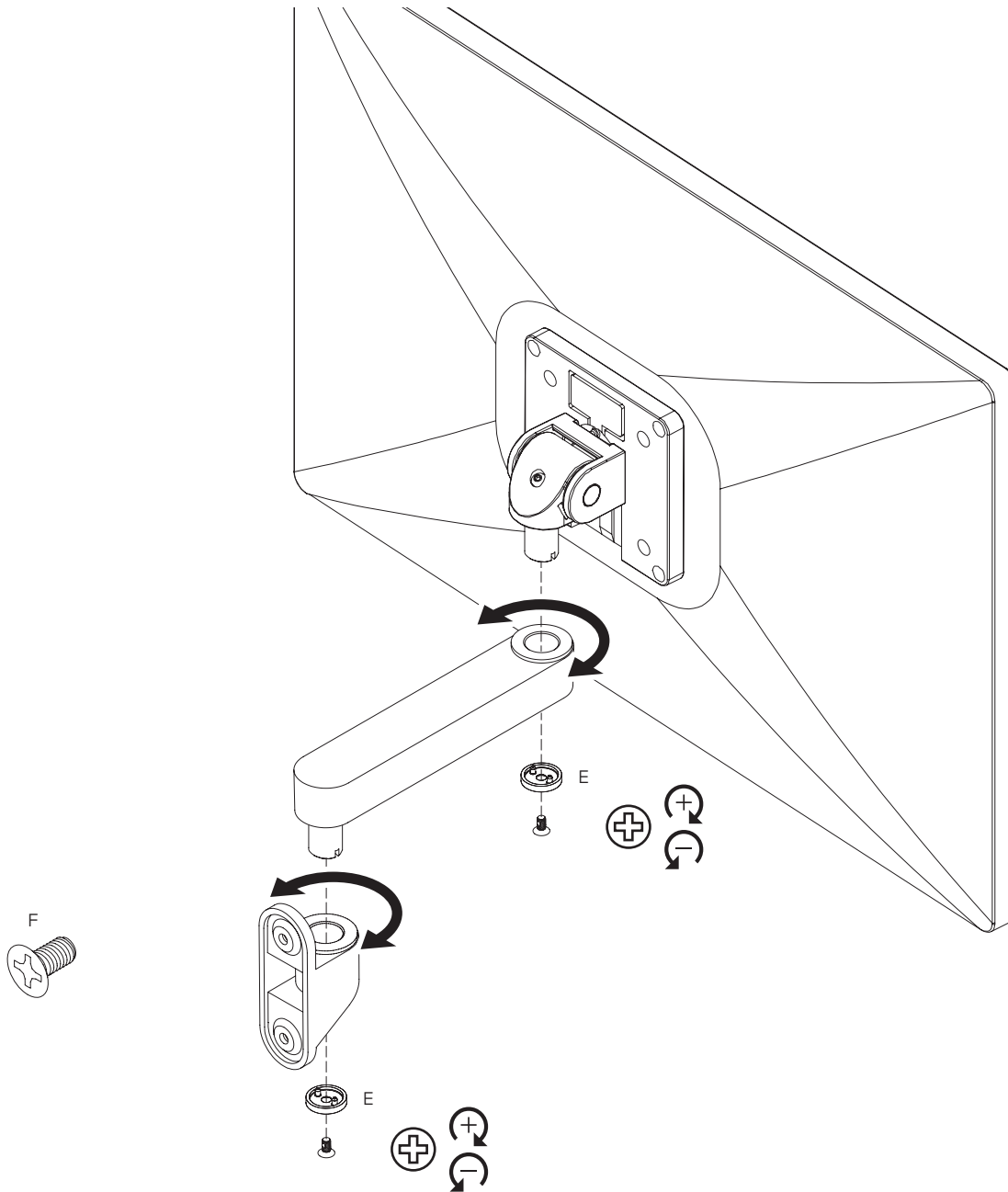
4



5

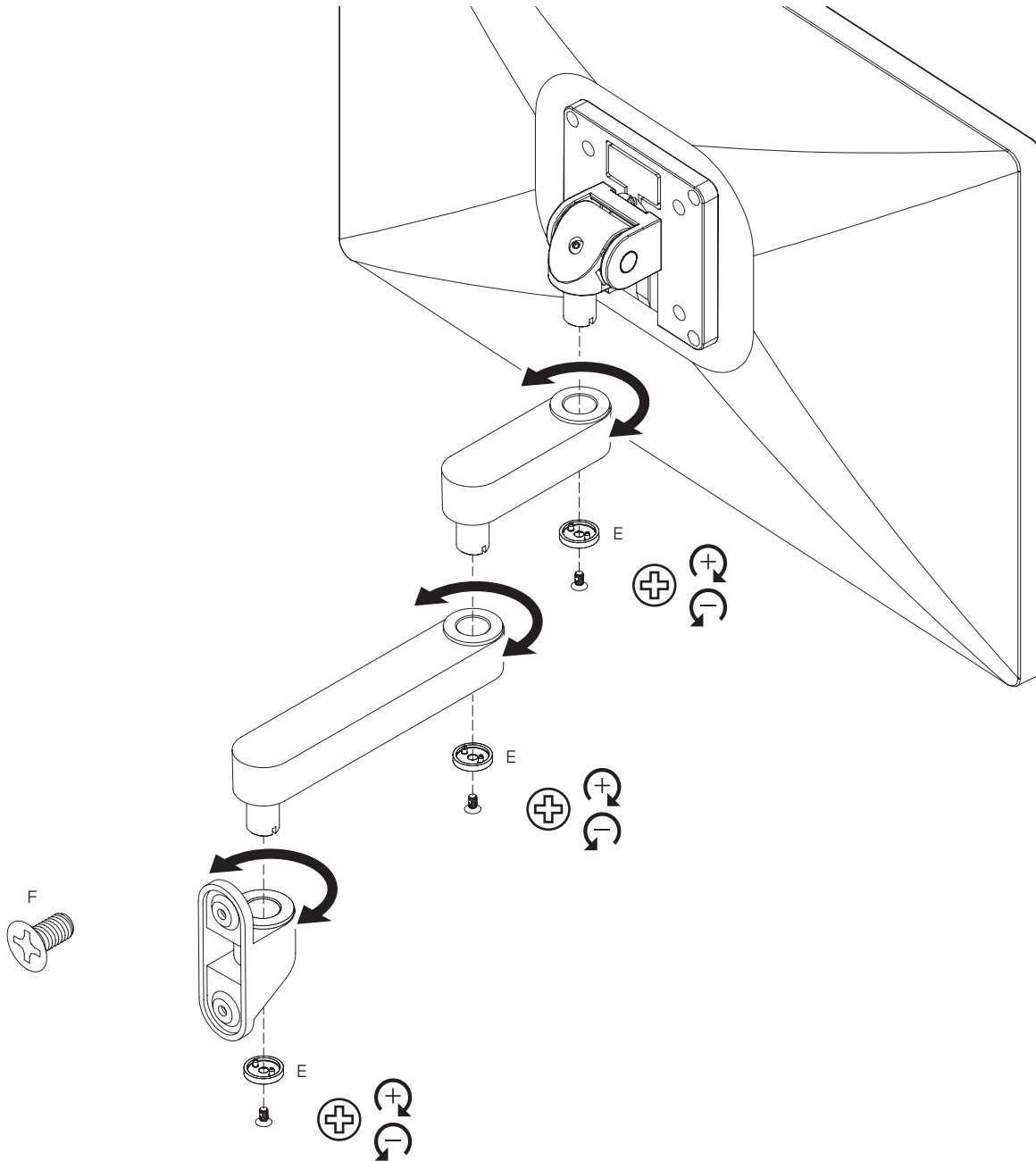


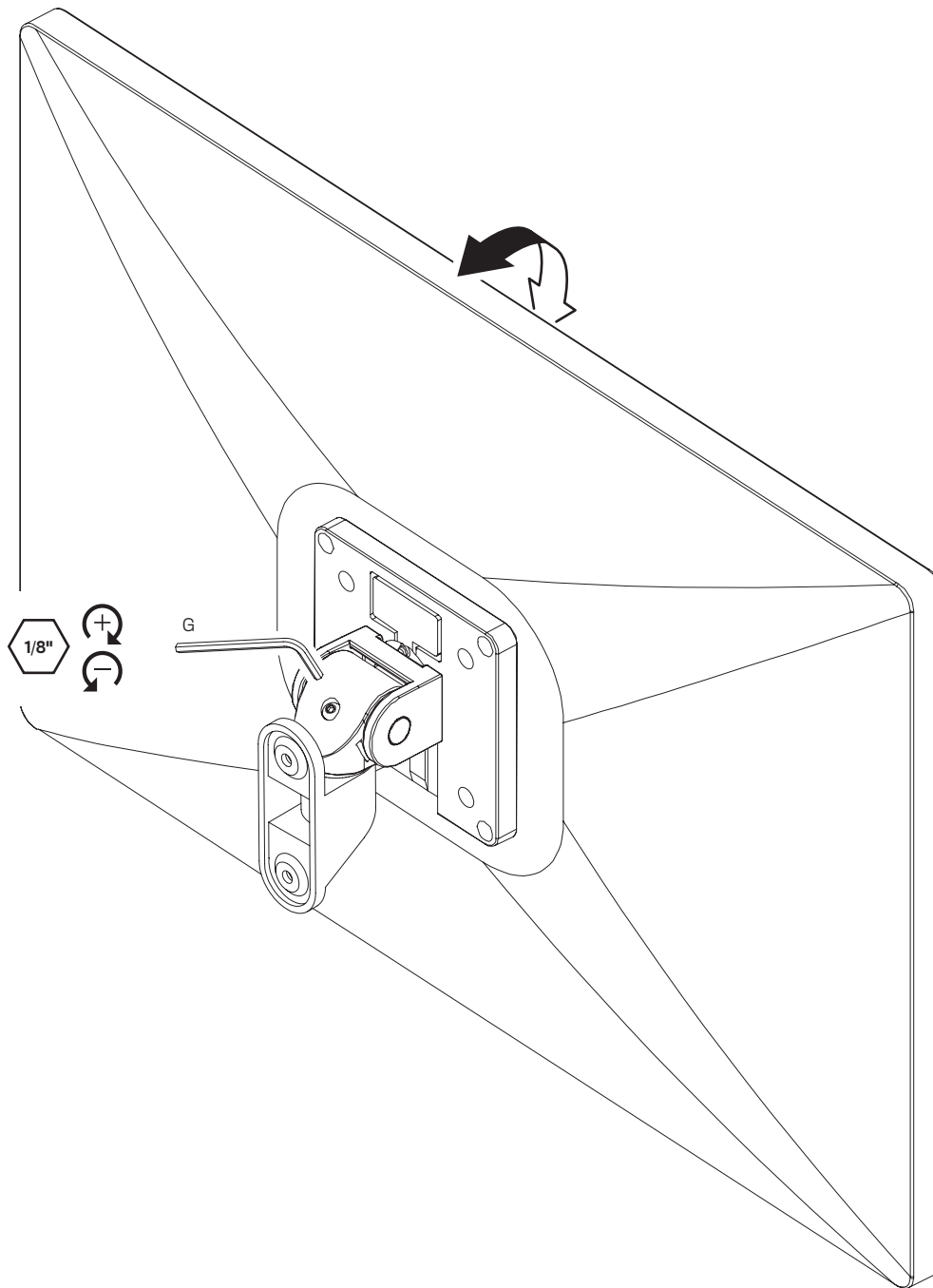
6





7





9

