

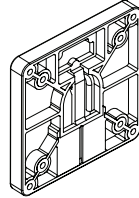
9112-S-14-FM

PARTS LIST

A 3/32" Allen Wrench 1x
700146



F 75/100mm VESA® Adapter Plate 1x
114808



K Cable Clip 1x
104533



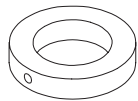
B 10-32 x 1/2" Thumbscrew 1x
700959



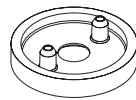
G M4 x 12mm Phillips Pan Head Screw 4x
702096



C Collar 1x
701318



H Dog Washer 1x
105189



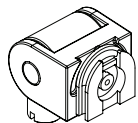
D Pole Cap 1x
110022



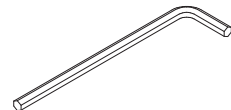
I 10-32 x 3/8" FPhMS w/Lock Patch 1x
705198



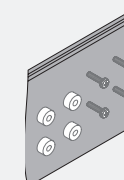
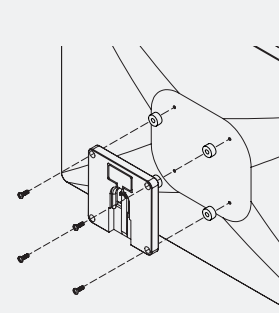
E Monitor Tilter 1x
417757



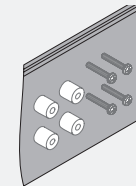
J 1/8" Allen Wrench 1x
701312



OPTIONAL SPACER KITS In some cases, the mounting surface on your monitor may be recessed further than permitted by VESA® standards. As a result, a spacer kit may be required.



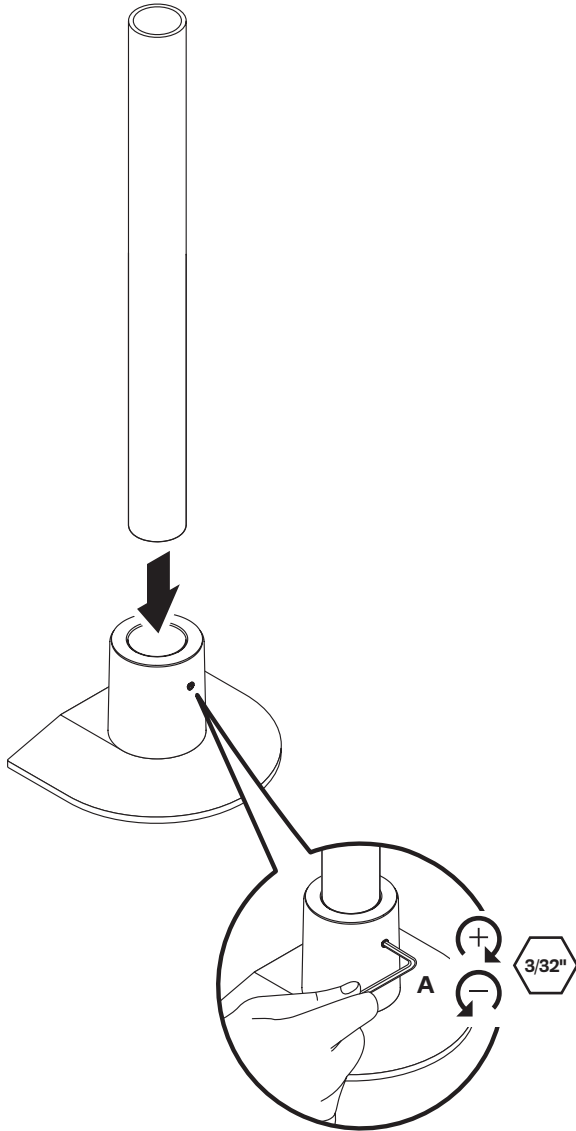
.25" Spacer Hardware Kit
(4) .25" Spacers
(4) M4 x 18mm PPHS
Order # P404923-B



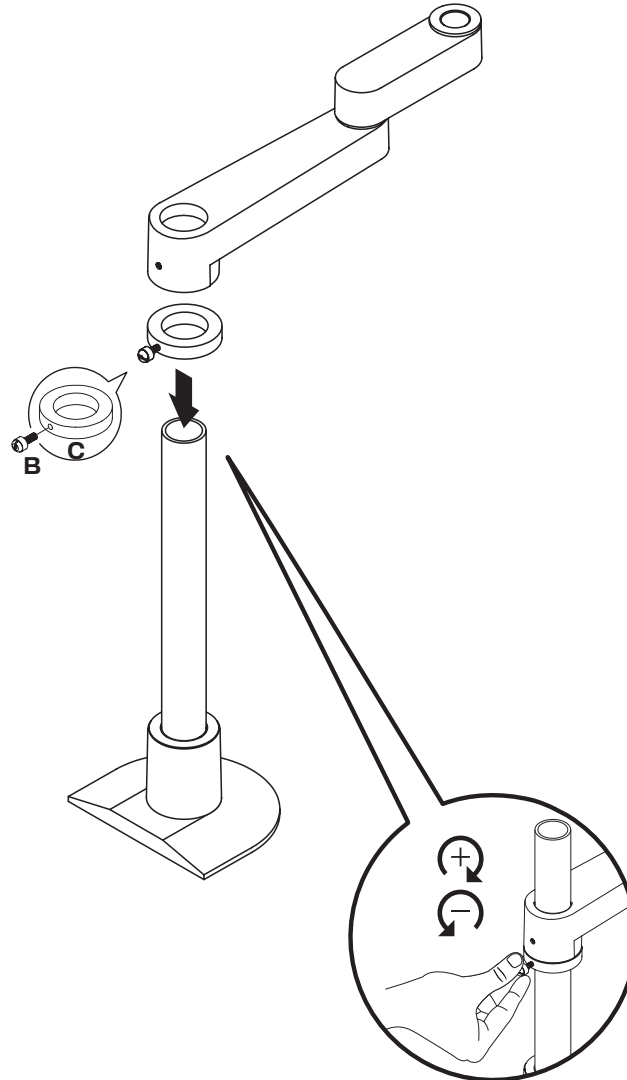
.5" Spacer Hardware Kit
(4) .5" Spacers
(4) M4 x 25mm PPHS
Order # P404923-C

POLE AND ARM INSTALLATION

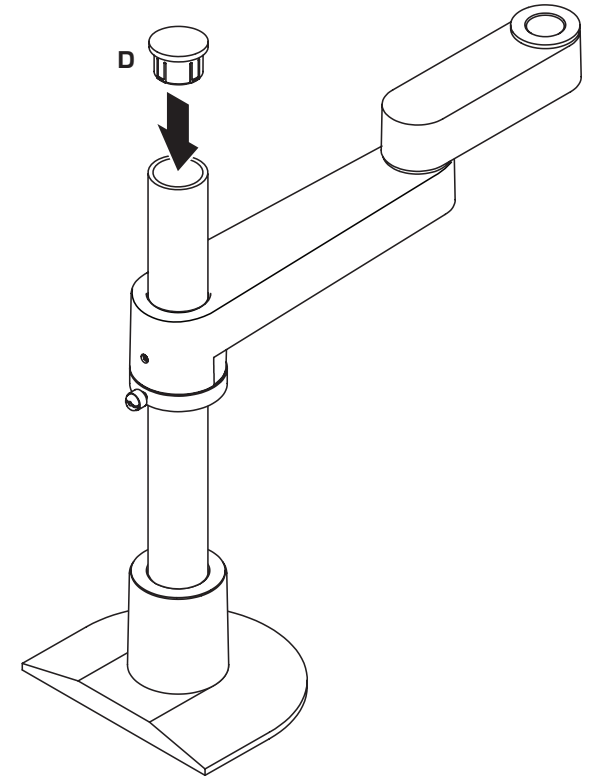
1



2

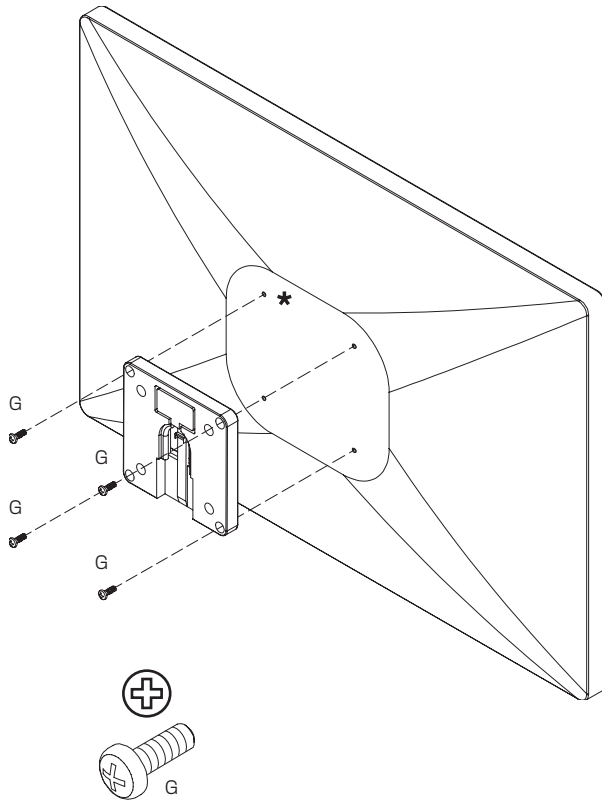


3



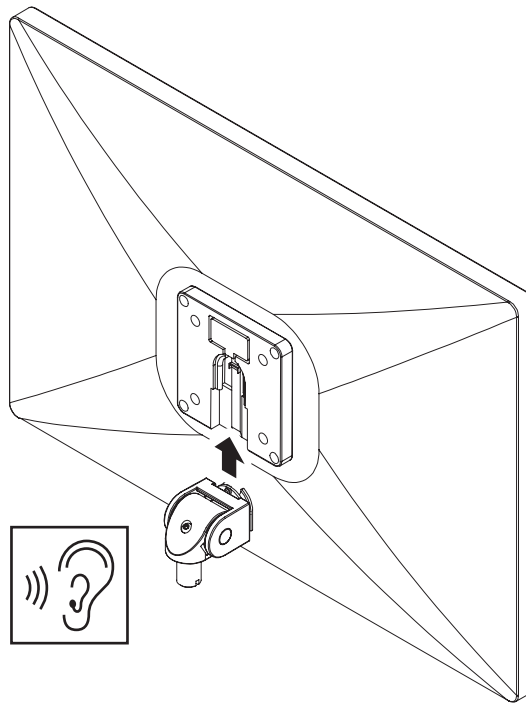
TILTER AND VESA PLATE INSTALLATION

6

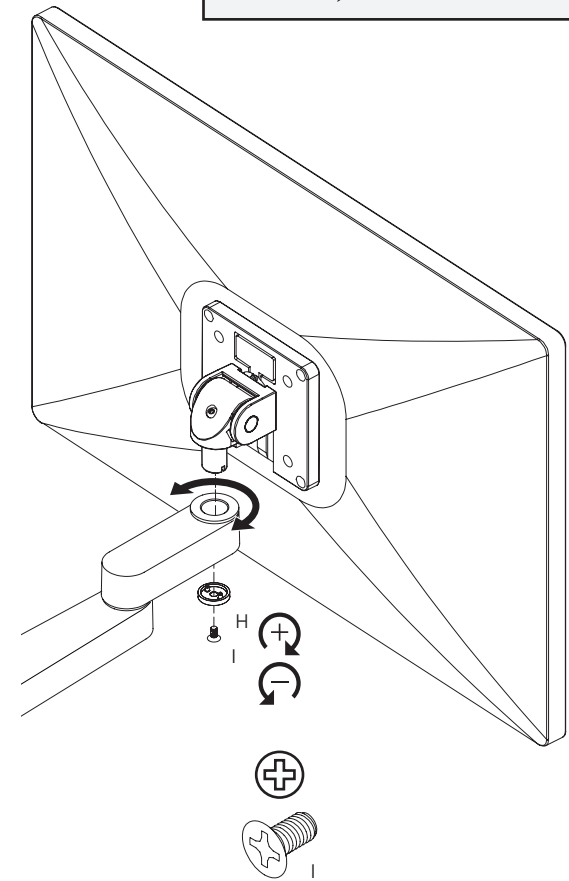
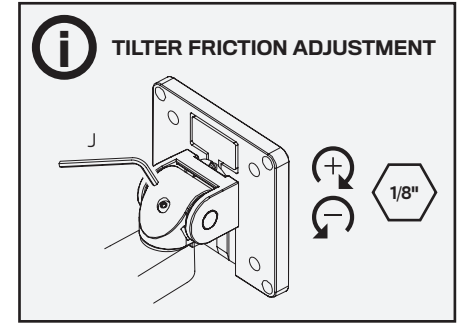


* Some monitors may require a spacer hardware kit. See "Parts List" page for details.

7

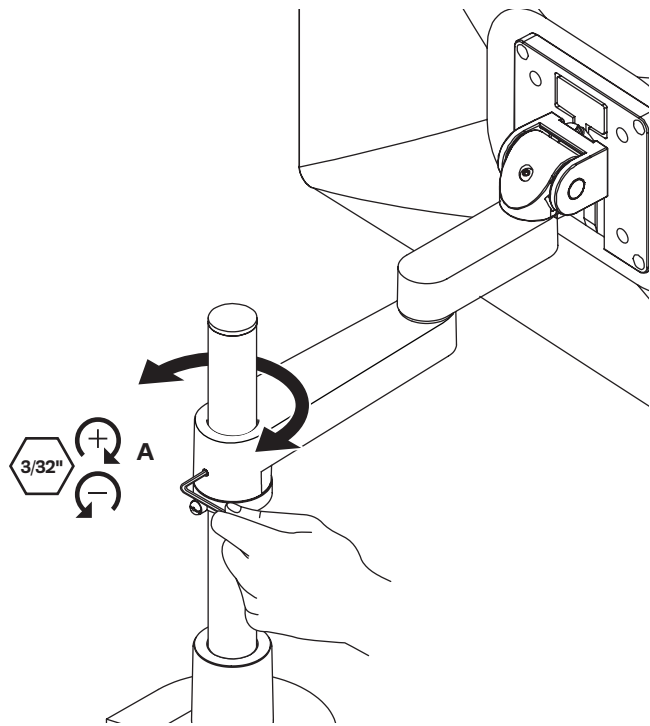


8

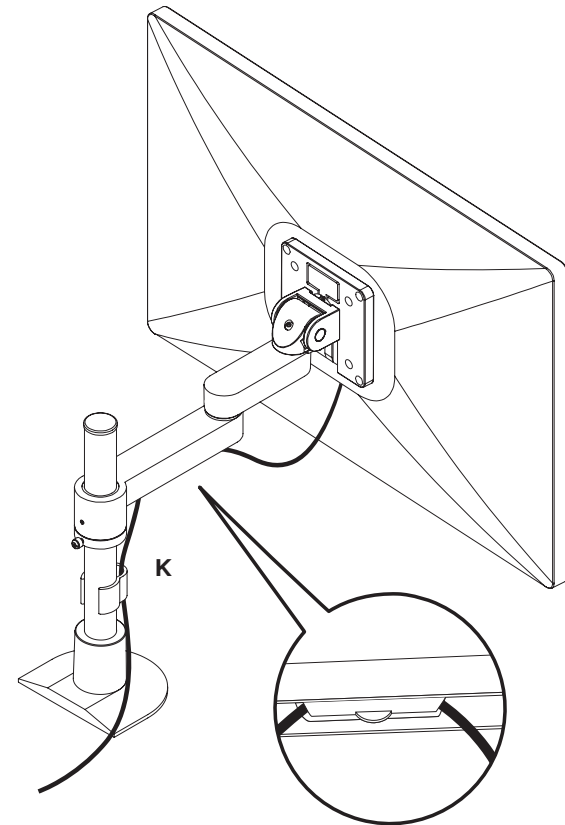


TENSION ADJUSTMENT AND CABLE MANAGEMENT

9



10



SPECIFICATIONS

SCREEN SIZE: Up to 32"

COLOR: Silver, Vista Black

WEIGHT CAPACITY: Up to 30 lbs

EXTENSION RANGE: 13.4"

TILT: Up to 190°

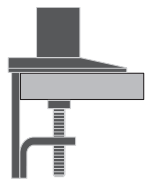
PIVOT: Landscape / Portrait

ROTATION: Three rotation joints

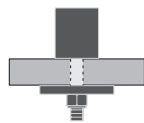
MOUNT CONFIGURATIONS: Desk Edge, Thru-Desk, Grommet, Wall, Reverse Wall, Side Bolt

VESA COMPATIBILITY: 75 & 100mm, quick-release adapter included

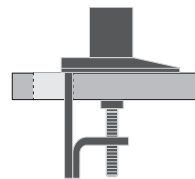
WARRANTY: 10 Years



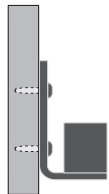
Desk Edge



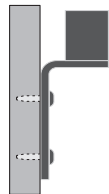
Thru-Desk



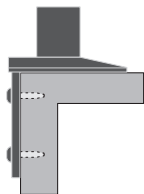
Grommet



Wall



Reverse Wall



Side Bolt

