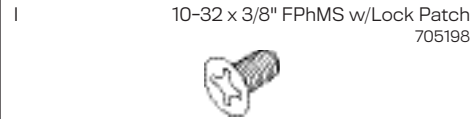
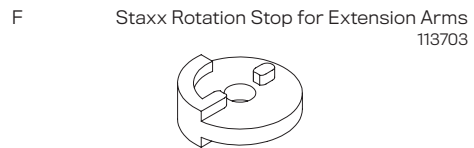
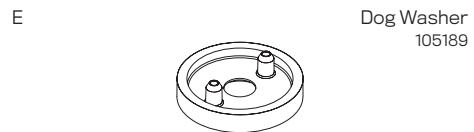
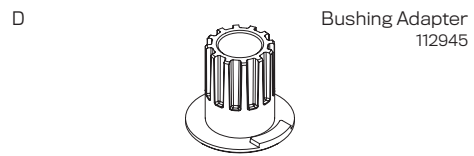
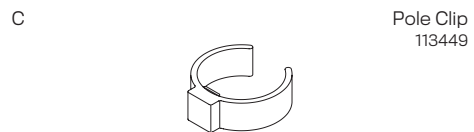
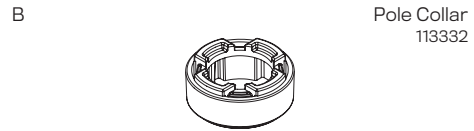
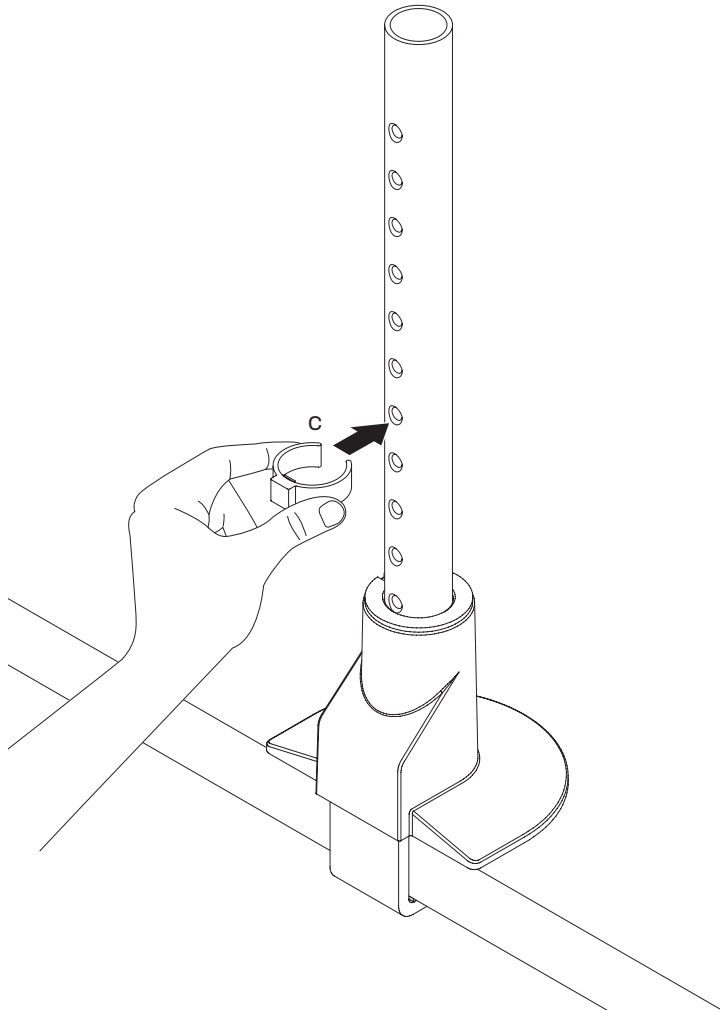


**STX-NM**

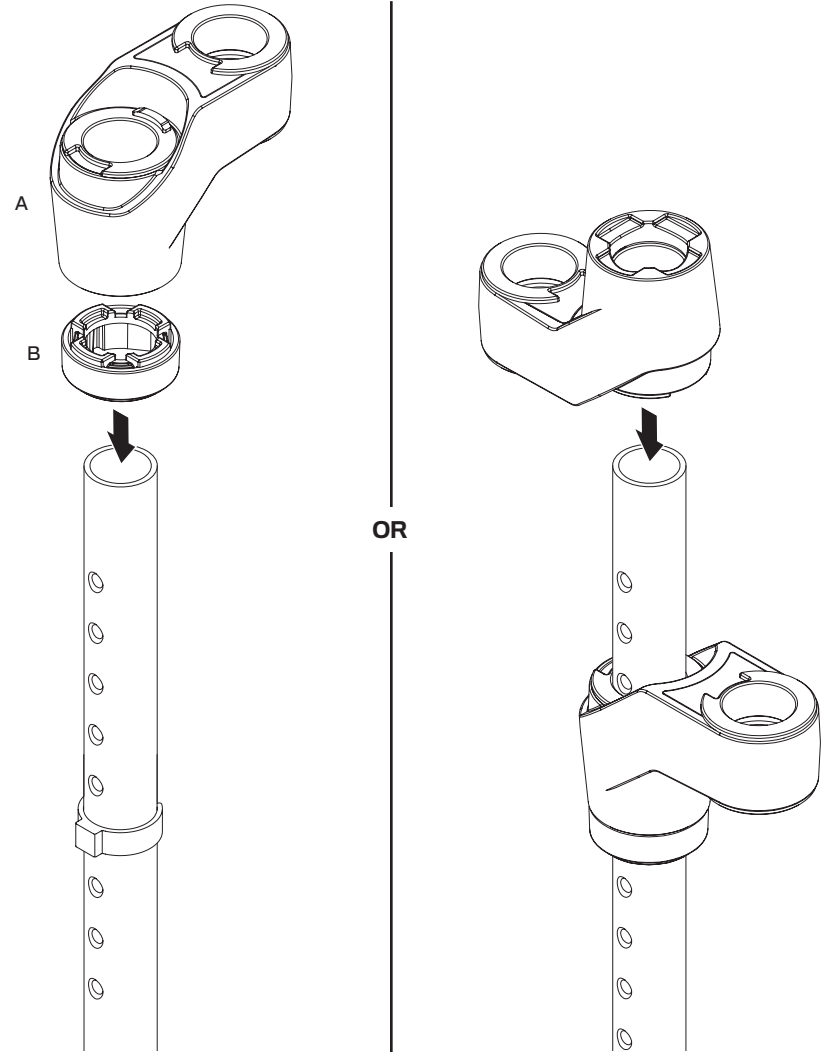
# PARTS LIST



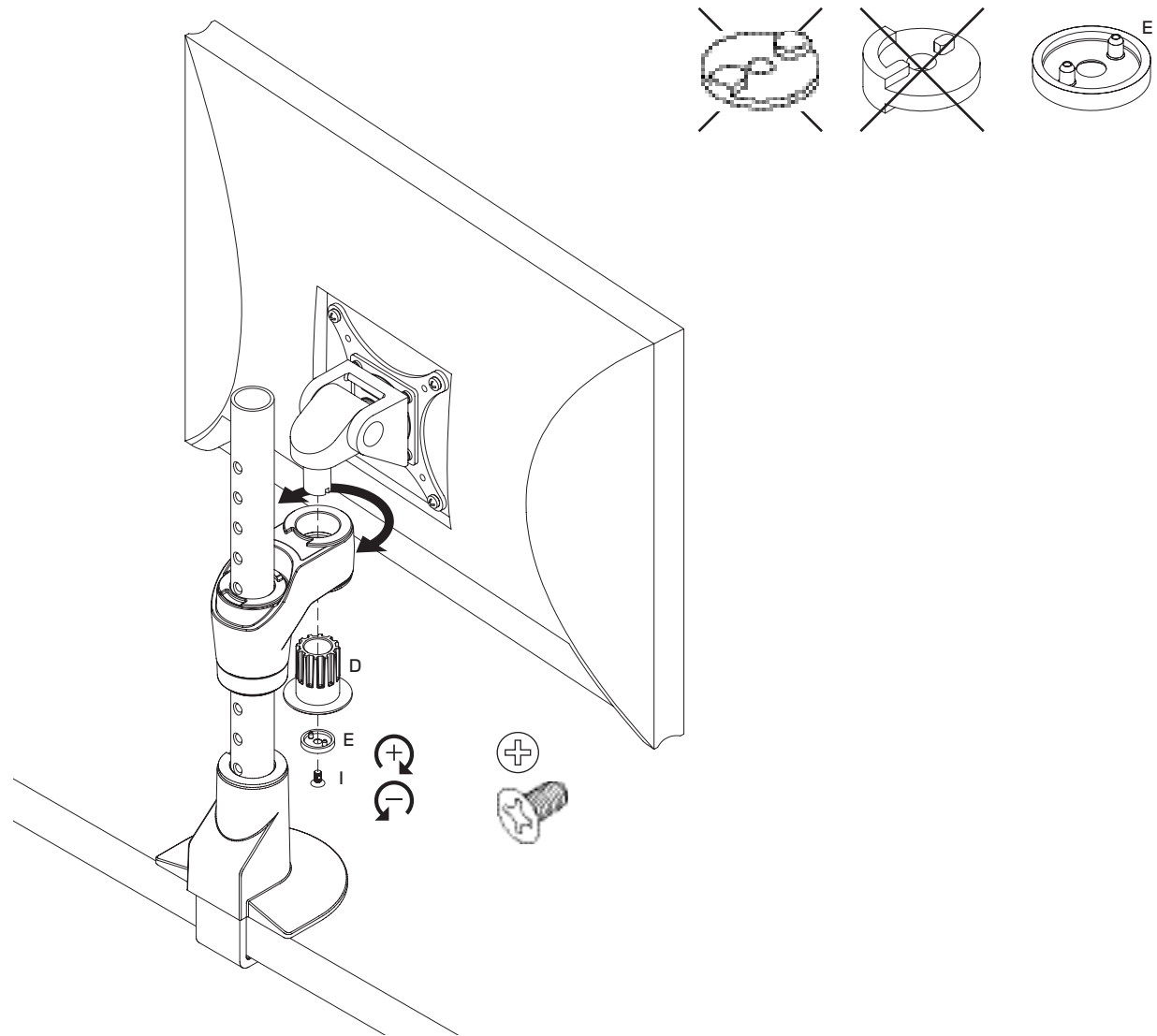
1



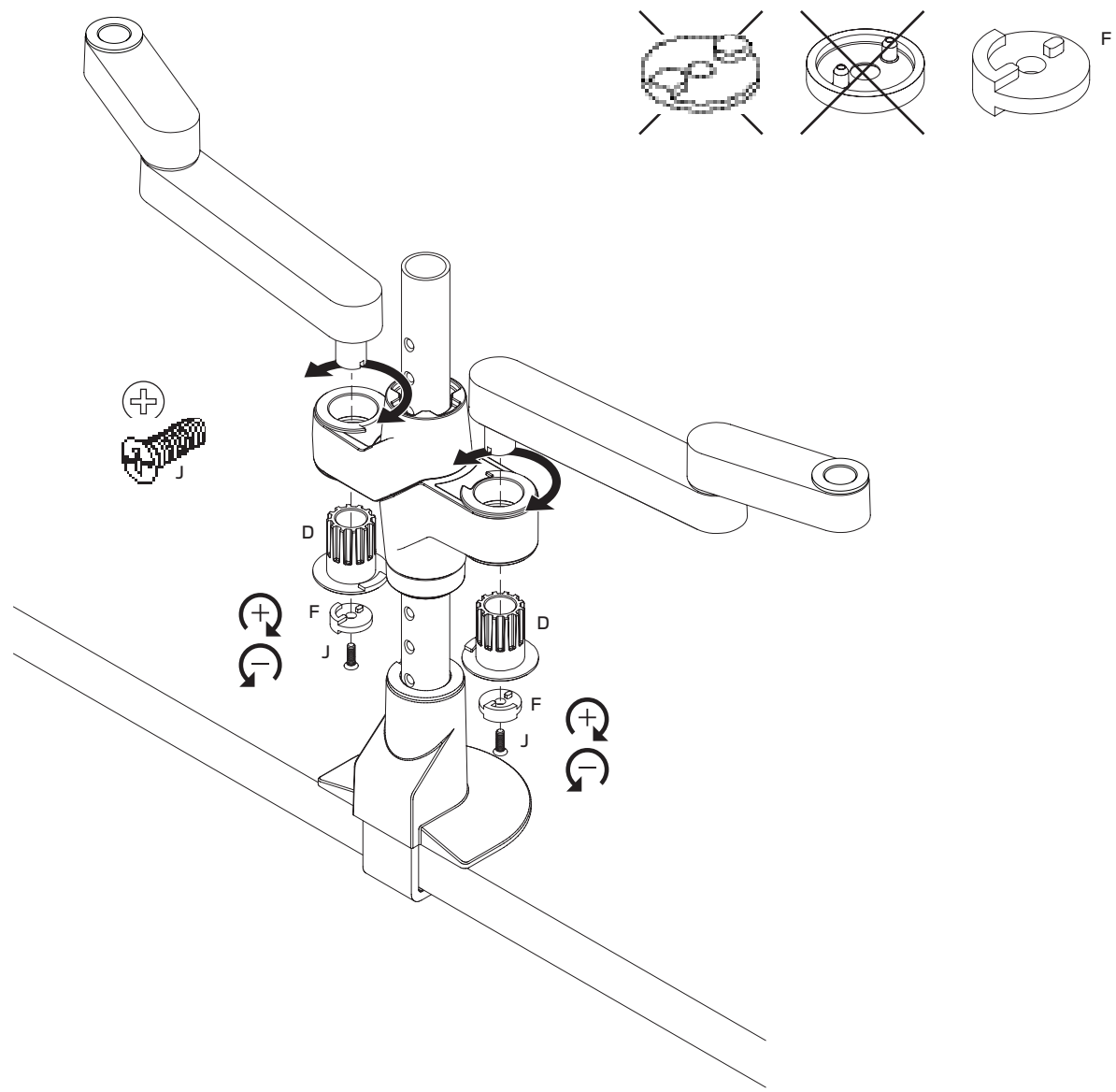
2



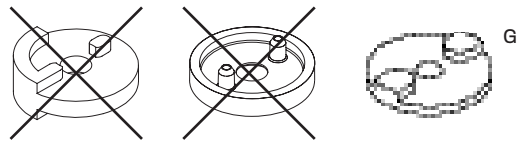
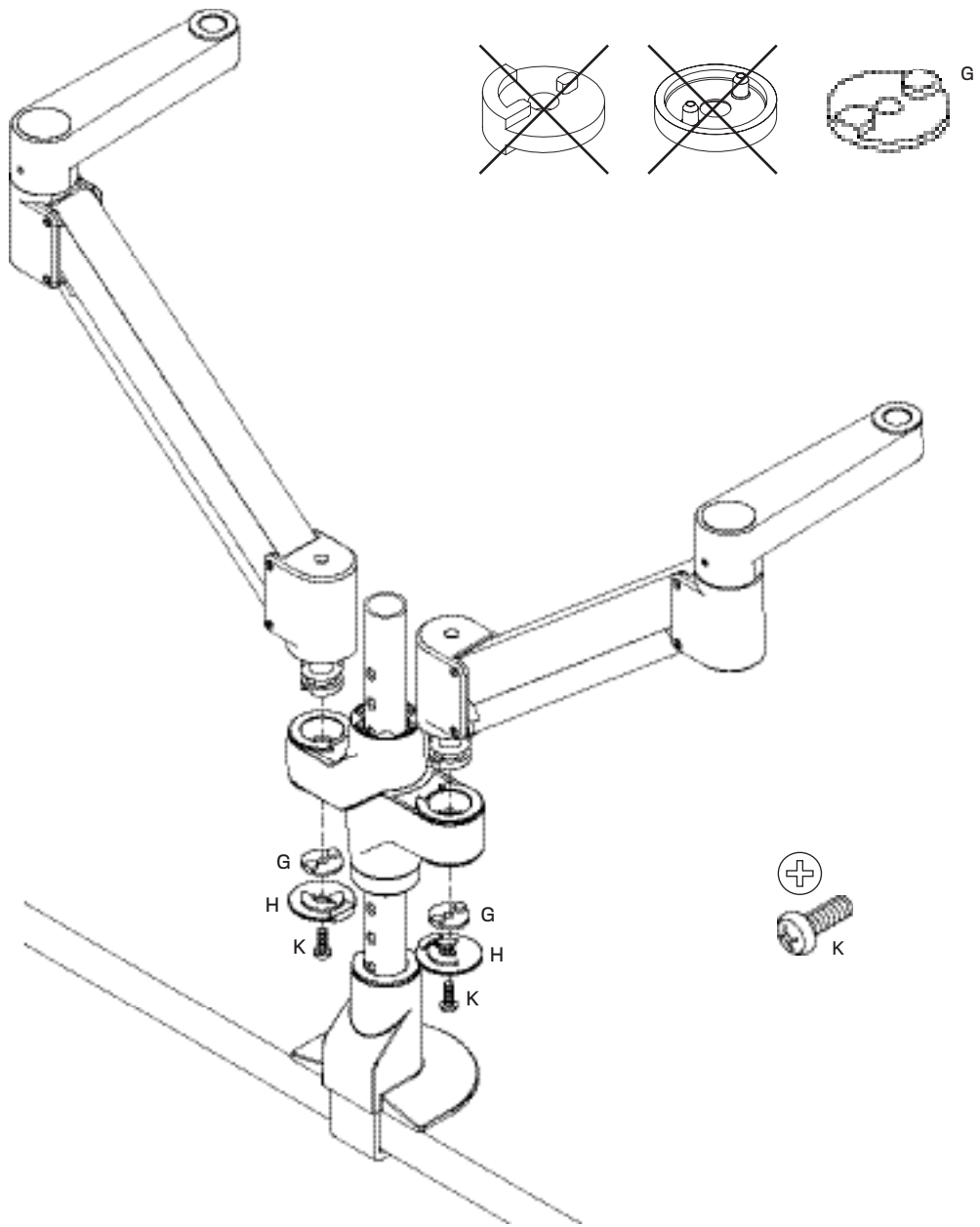
3a



**i** **IMPORTANT:** Install part (F) in the orientation as shown to the left. When washer, part (F), is installed correctly, the arms will not rotate past the back of the mount.



3c



**i** **IMPORTANT:** Install part (H) in the orientation as shown to the left. When washer, part (H), is installed correctly, the arms will not rotate past the back of the mount.

The inset diagram shows a close-up of the pivot assembly. It highlights the correct orientation of part H, which is a washer with a specific shape. A curved arrow indicates the range of motion of the arms, showing they will not rotate past the back of the mount when part H is installed correctly.