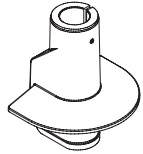
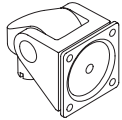


PARTS LIST

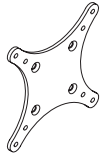
A Top Down Mount 1x
8524



B Monitor Tilter 1x
405397



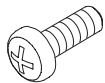
C 75/100mm VESA Adapter Plate 1x
105587



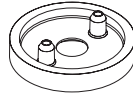
D 10-32 x 3/8" Phillips Flat Head Screw (4-pack) 1x
702281



E M4 x 12mm Phillips Pan Head Screw (4-pack) 1x
702096



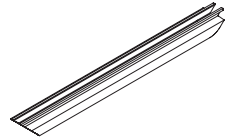
F Dog Washer 1x
105189



G 10-32 x 3/8" FPhMS w/Lock Patch 1x
705198



H Cable Cap 1x
114810



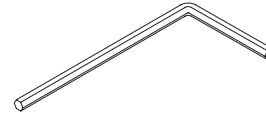
I 1/8" Allen Wrench 1x
701312



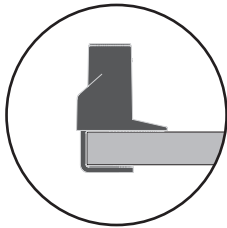
J 3/32" Allen Wrench 1x
700146



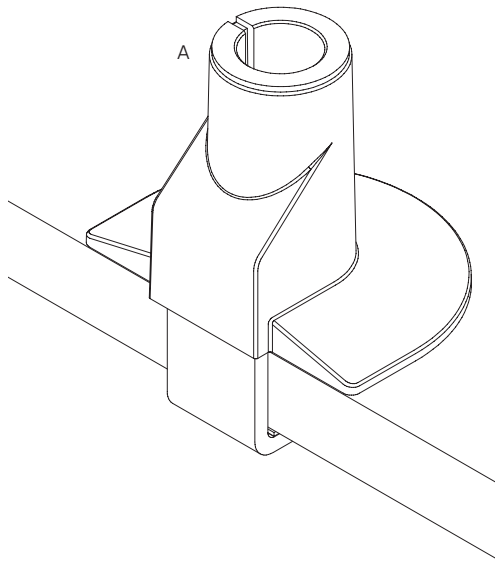
K 7/32" Allen Wrench 1x
701127



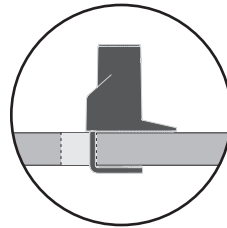
1



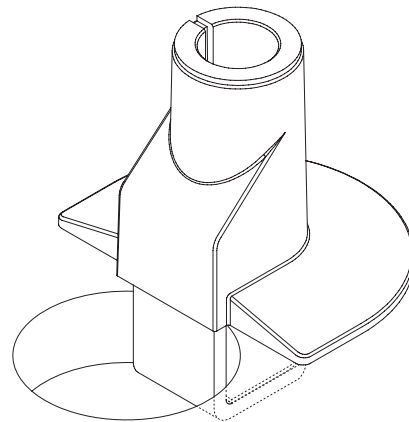
Desk thickness
up to 1.5" (3.8 cm)



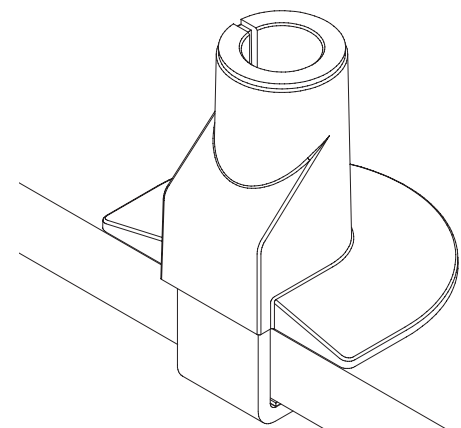
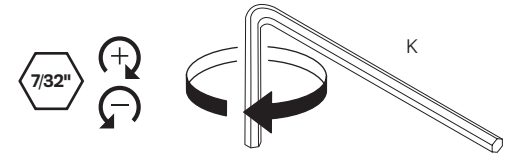
OR



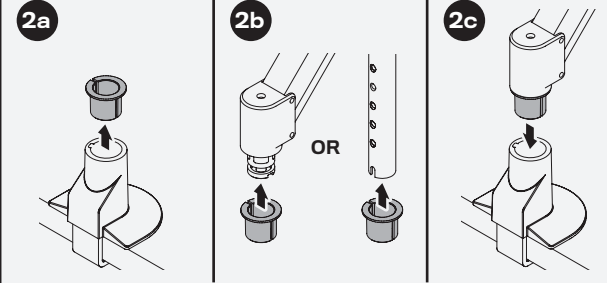
Desk thickness
up to 1.5" (3.8 cm)

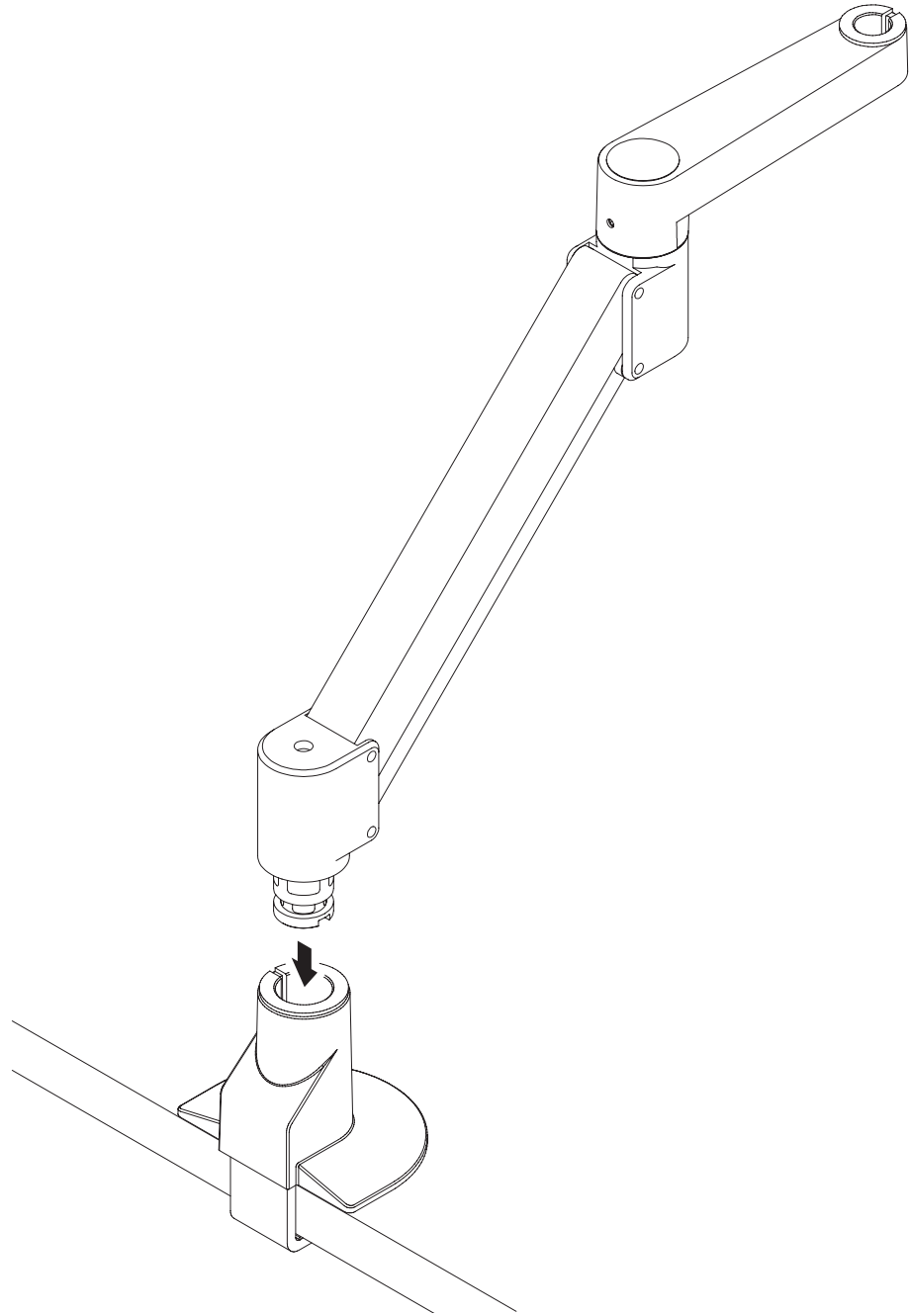


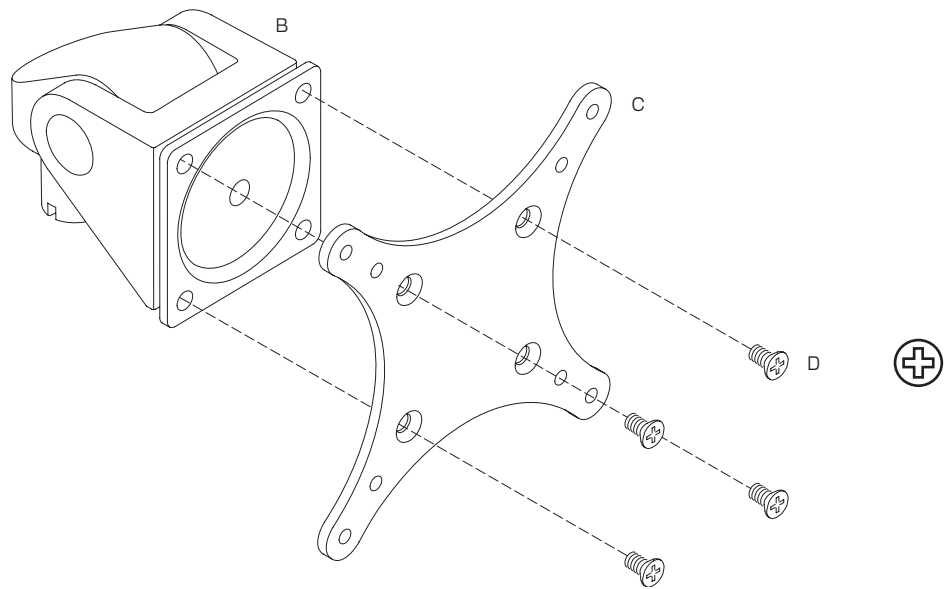
2

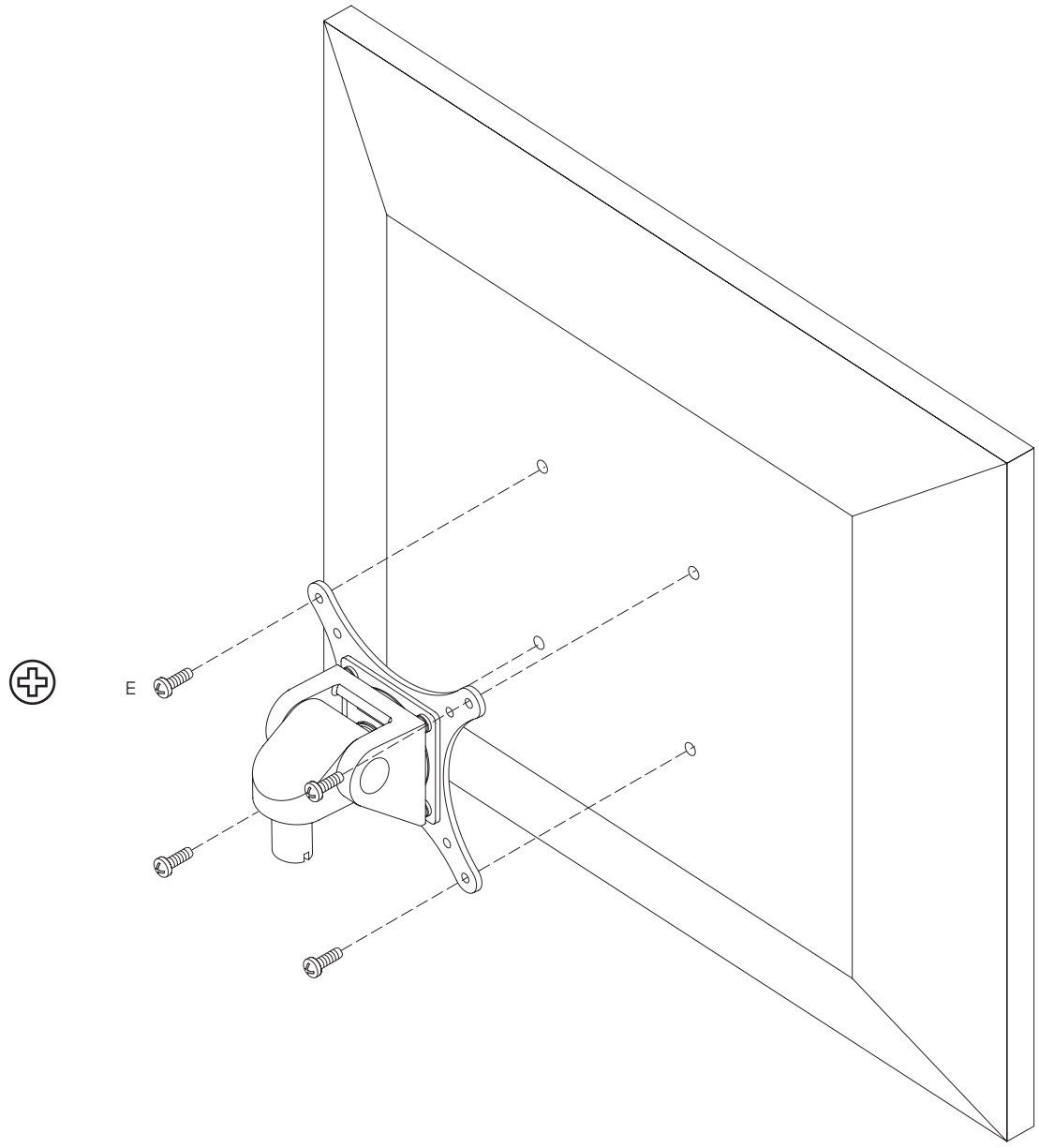


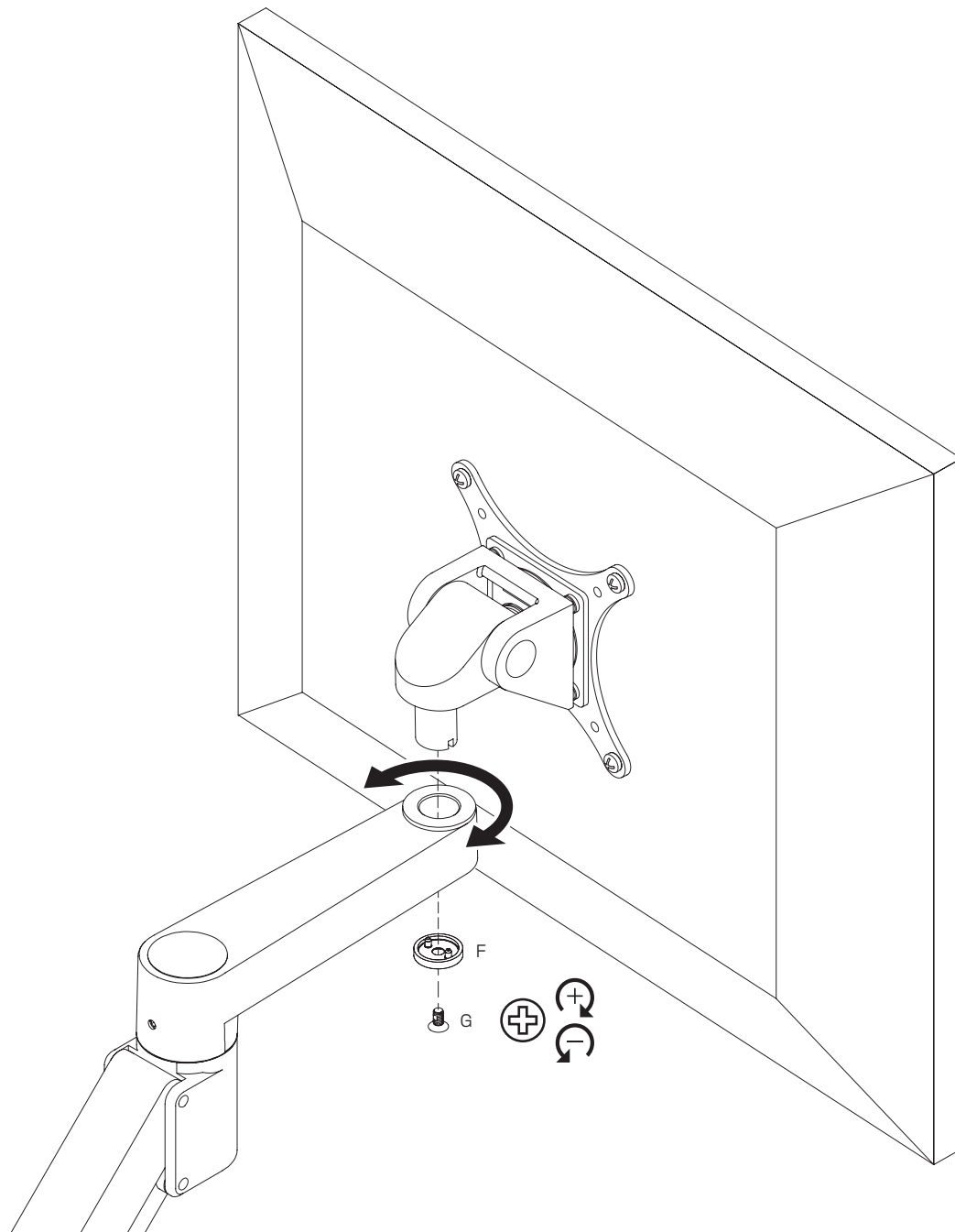
i If the monitor arm or pole does not easily fit into the mount, remove the bushing from the mount and place it on the monitor arm or pole and press firmly back into the mount.

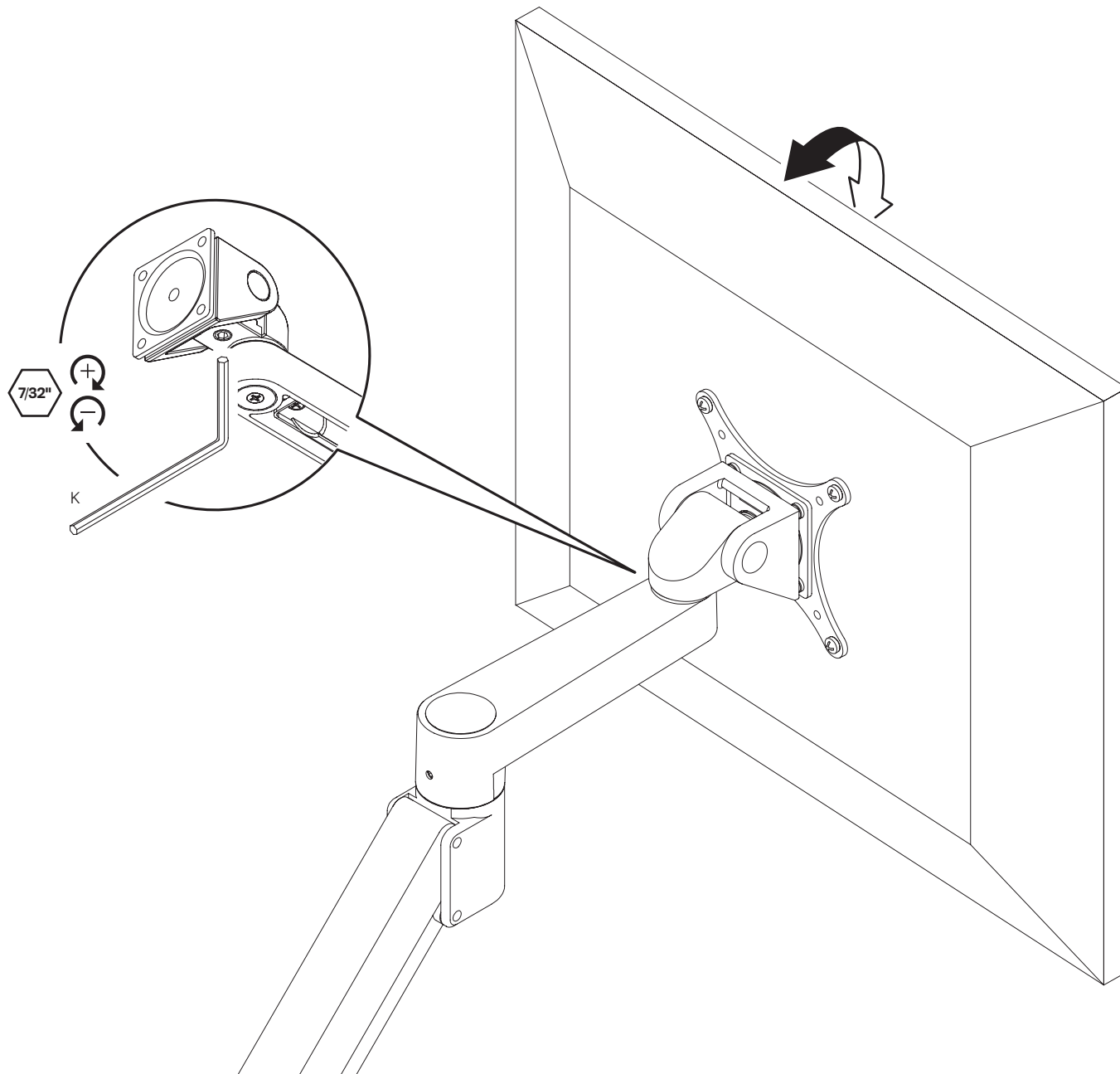






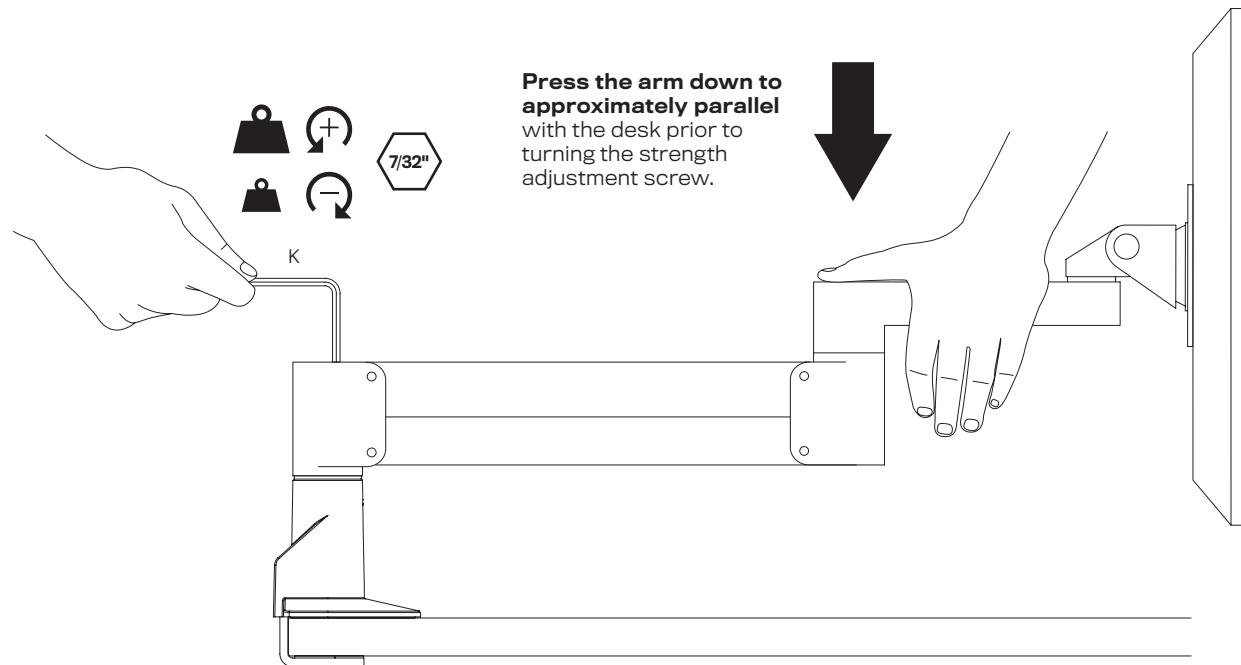
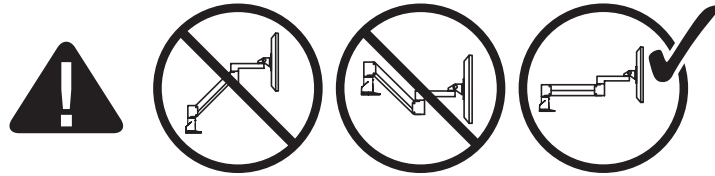
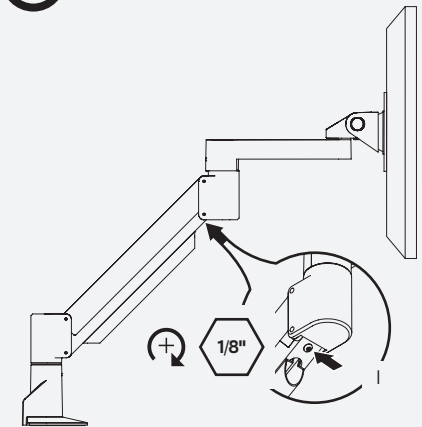






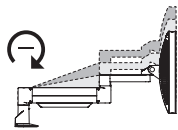
IMPORTANT!

- Monitor must be on arm
- Arm must be in mount

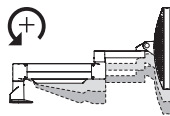

Optional Adjustment


In some instances, an additional counterbalance adjustment may be needed to allow the arm's instant height adjustment function to work properly.

If your arm is not staying in position after performing step 8, tighten the adjustment screw as shown.



If the arm **drifts upward**, turn the adjustment screw clockwise.



If the arm **drifts downward**, turn the adjustment screw counter-clockwise.

Depending on the weight of your monitor, **you may have to make 15-20 turns.**

