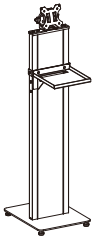


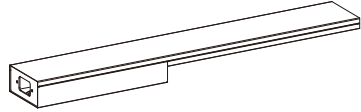



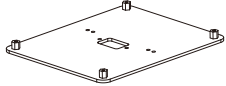

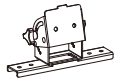



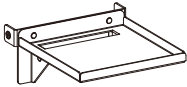





KS10-B Installation Instruction

VESA
Compatible
75x75 100x100

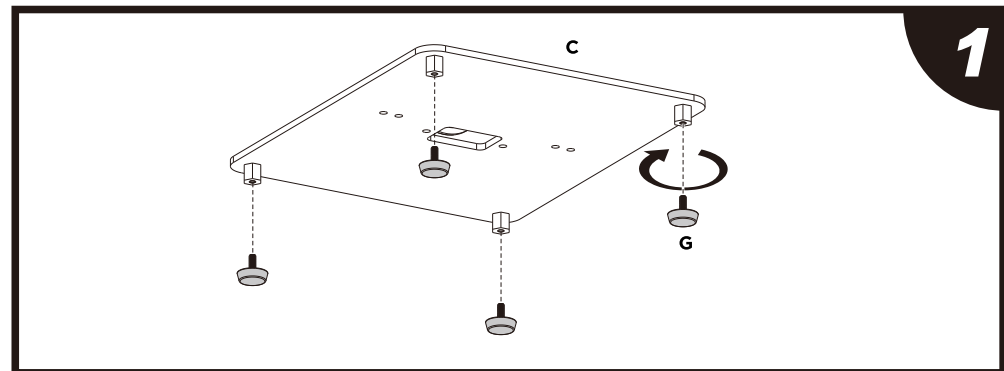
27"
MAX

8kg
17.6lbs
RATED



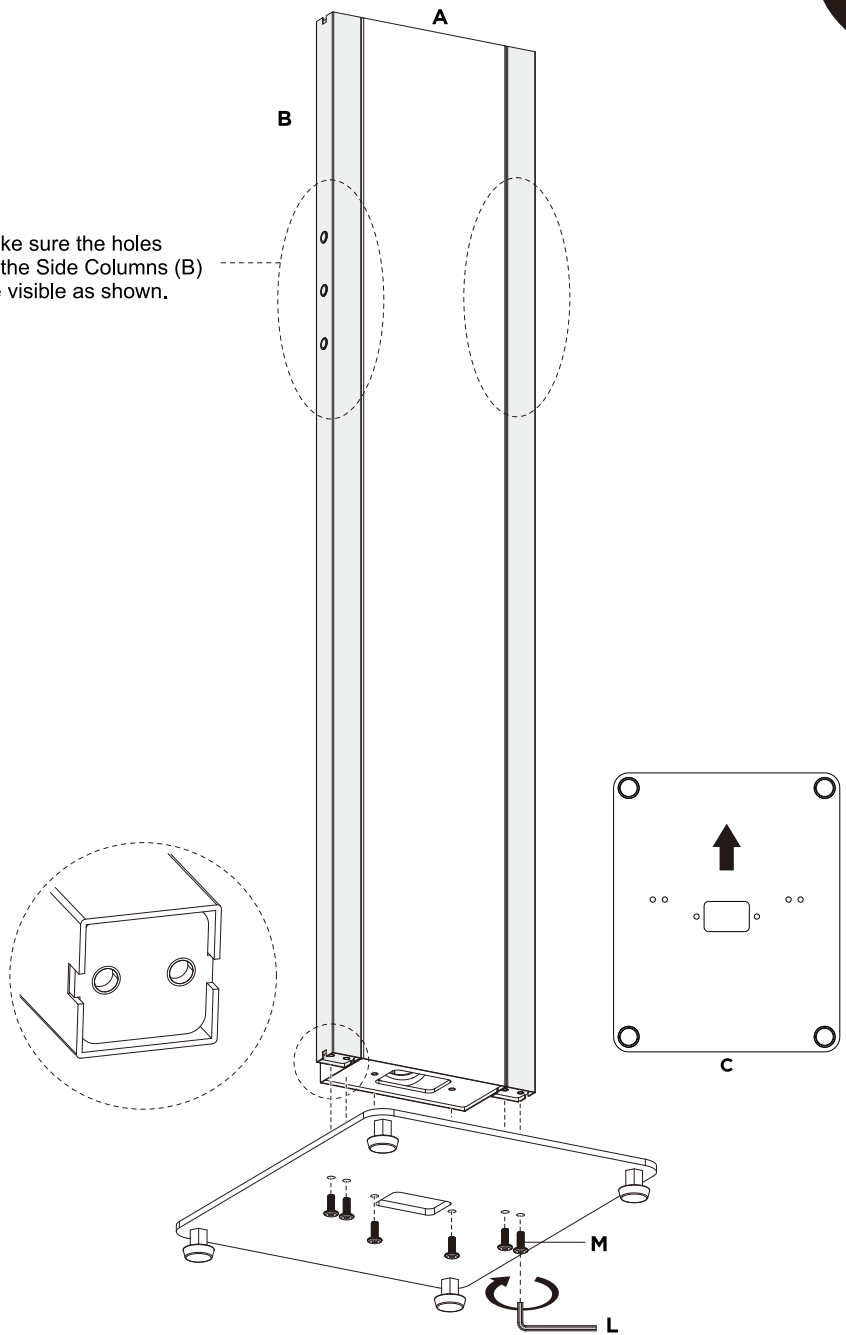
PART NO.	DESCRIPTION	QUANTITY	PART NO.	DESCRIPTION	QUANTITY
A	 Center Column	1	G	 Foot Pad	4
B	 Side Column	2	H	 Dual Lock Fastener	2
C	 Base	1	I	 Protective Pad	2
D	 Connecting Plate	1	J	 Key	2
E	 VESA Plate	1	K	 Cable Clip	1
F	 Storage Shelf	1	L	 4mm Allen Key	1
			M	 M6x16	12
			N	 M4x10	5
			O	 M4x8	4
			P	 M5x6	2

IMPORTANT: Install all M6 screws finger tight. Once all are installed, go back through and retighten all screws



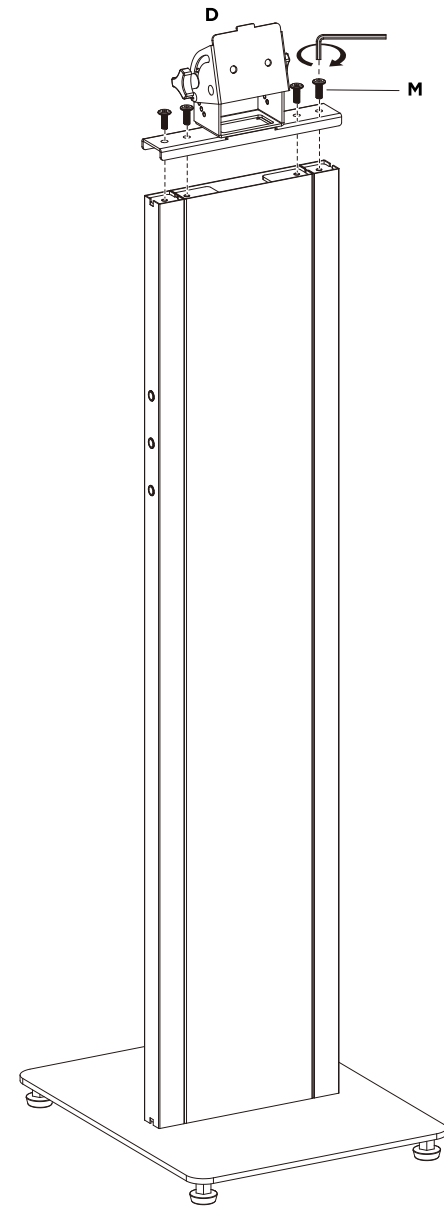
2

Make sure the holes on the Side Columns (B) are visible as shown.

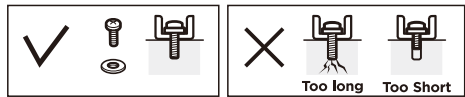


1

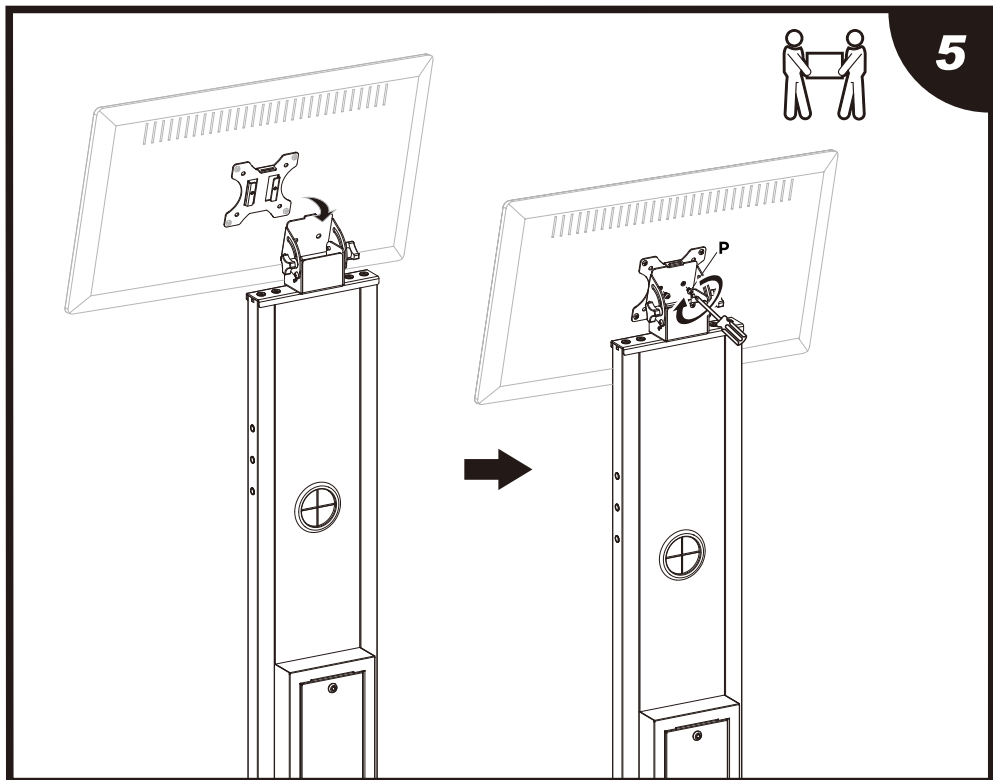
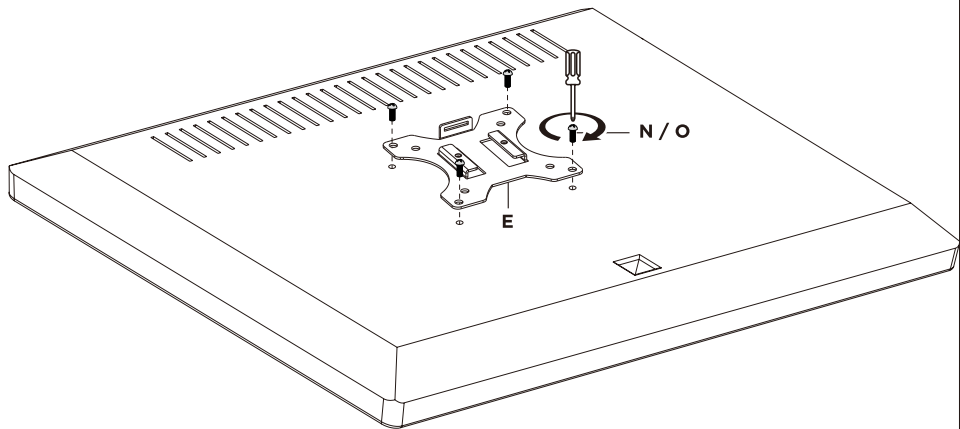
3



2



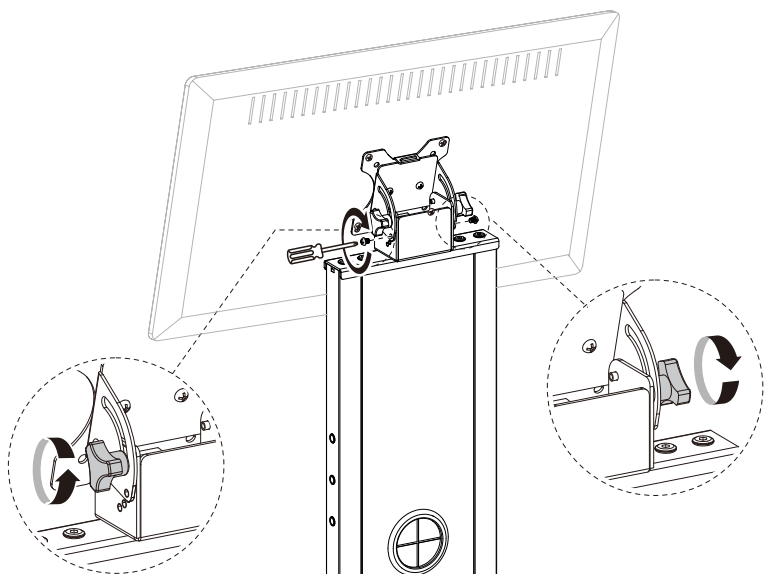
4



5

3

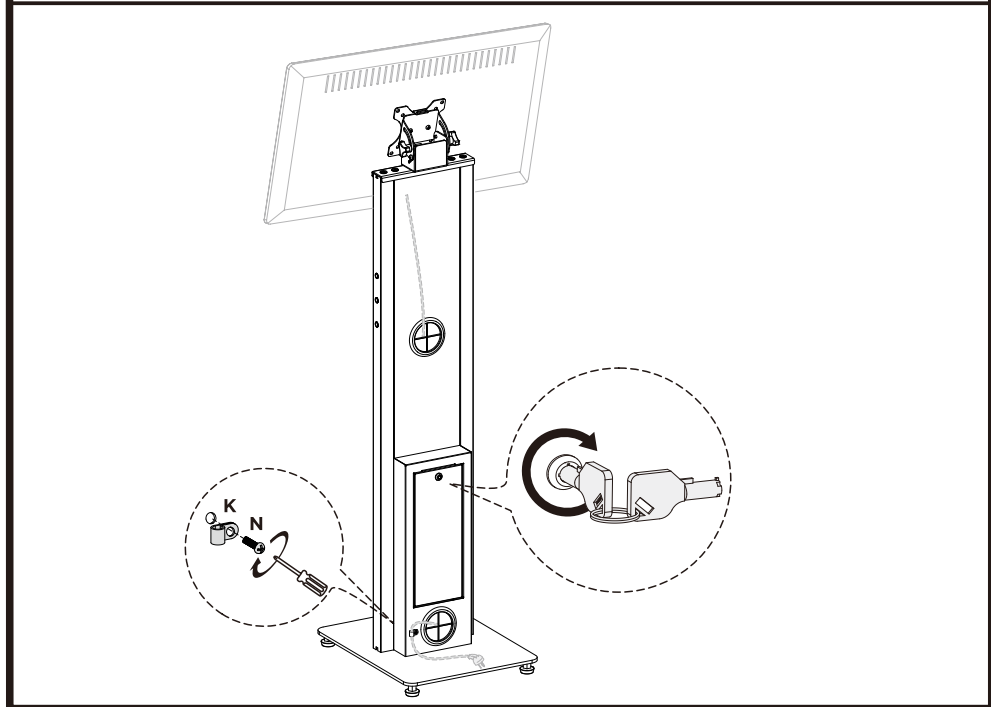
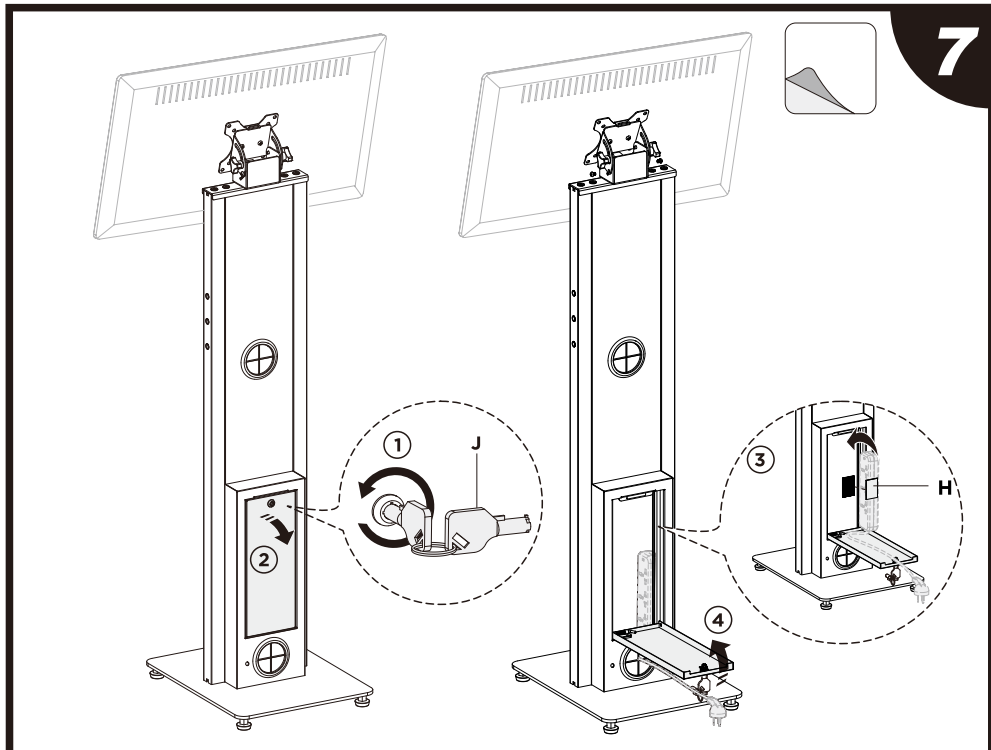
6



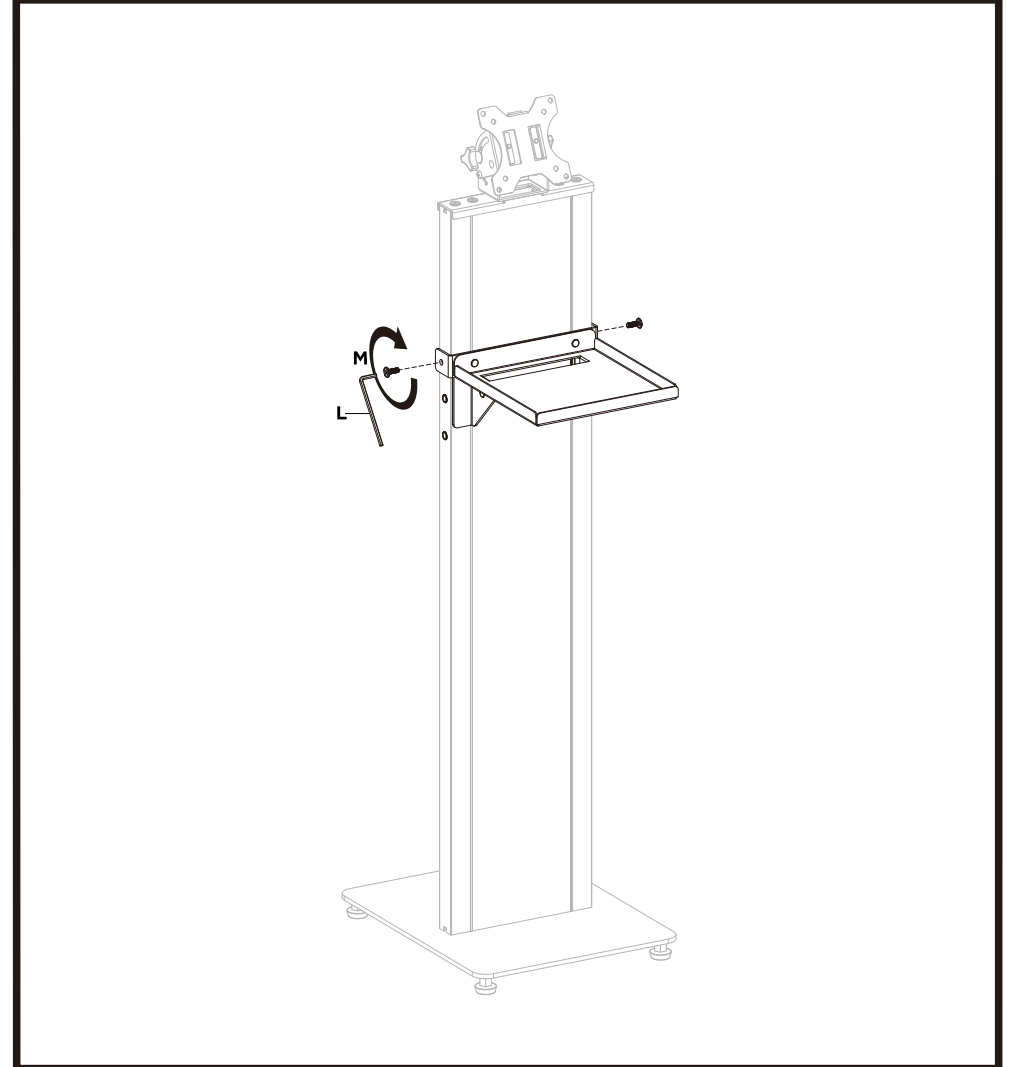
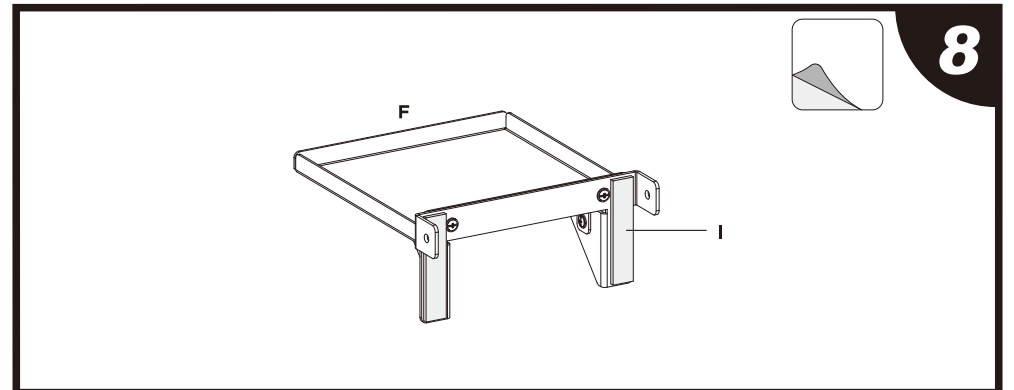
The screen can be fixed at angles of 15°, 25°, 35°, or 45° by tightening the screws in one pair of the screw holes.

Remove the screws using a Phillips screwdriver as shown, then you can adjust the thumb knob to freely tilt the screen from 15° to 90°.

4



5



6