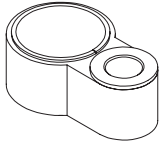
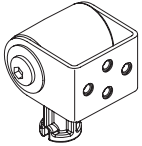


# PARTS LIST

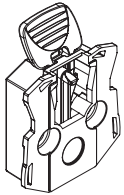
A Mount Yoke 1x  
414351



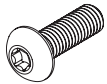
B Mini Tilter 1x  
416267



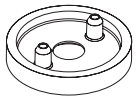
C Lane WK Adapter Plate 1x



D Lane Adapter Screw 2x  
714305



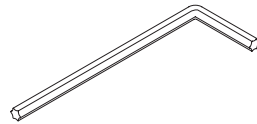
E Dog Washer 1x  
105189



F 10-32 x 3/8" FPhMS w/Lock Patch 1x  
705198



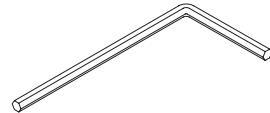
G T25 L-Key 1x  
714899



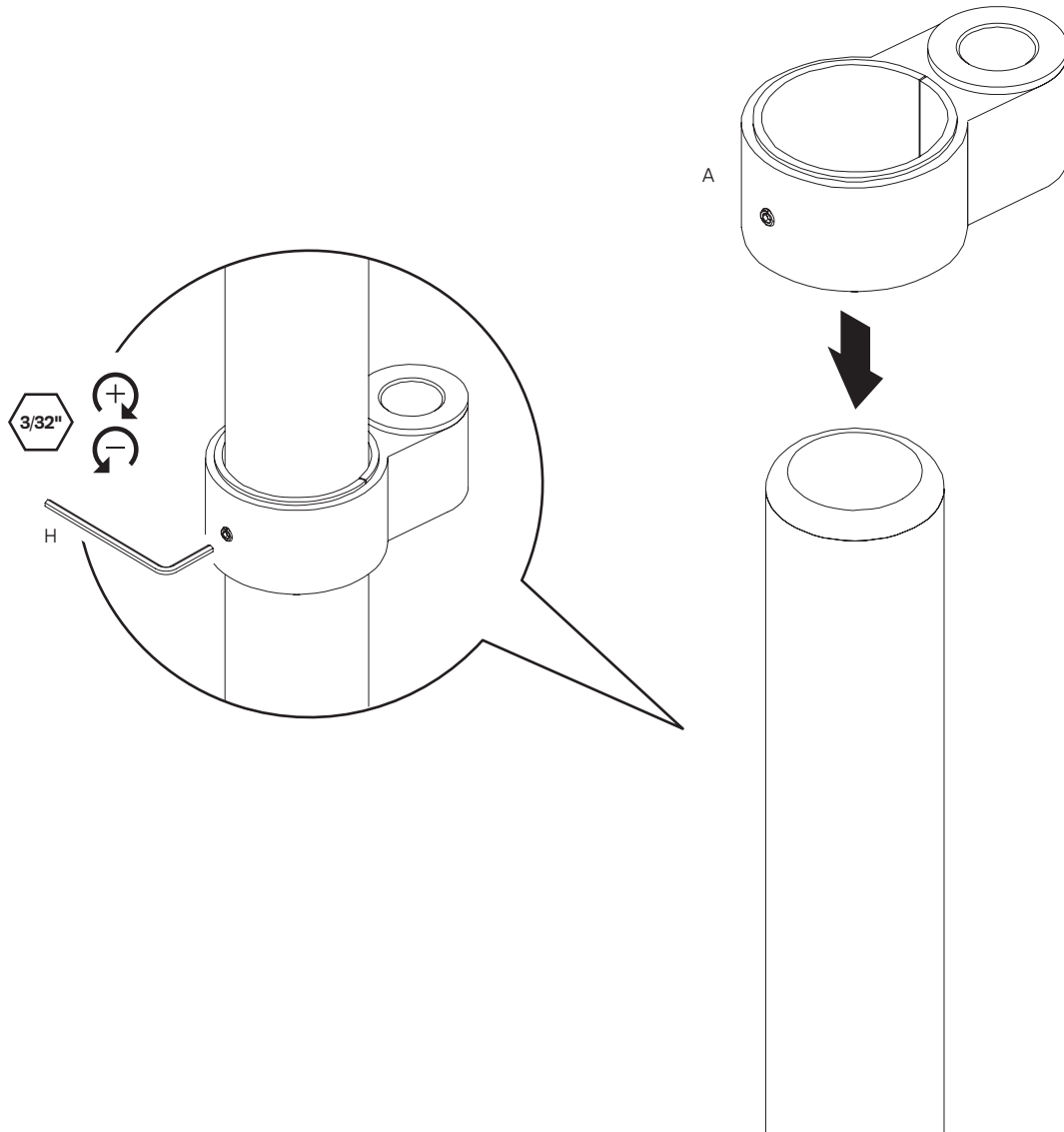
H 3/32" Allen Wrench 1x  
700146

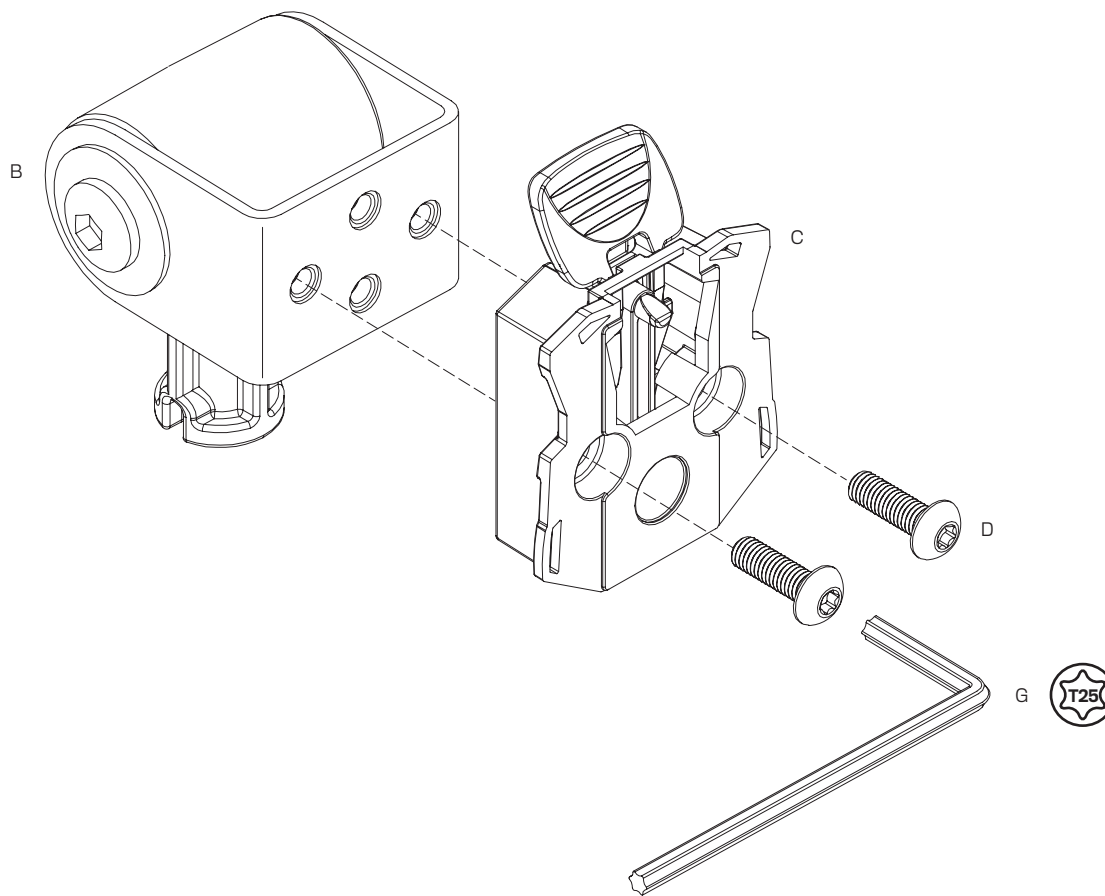


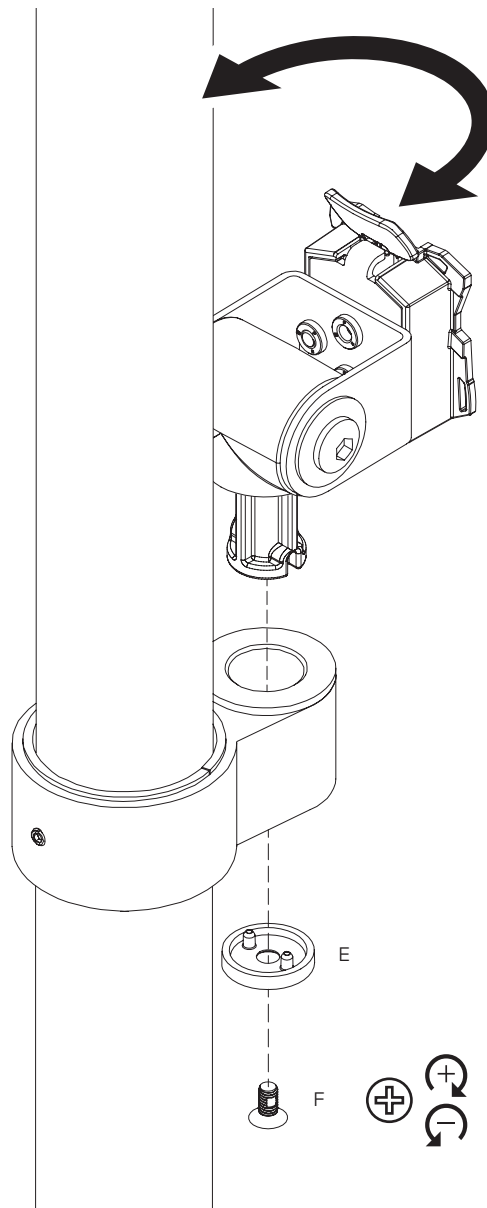
I 7/32" Allen Wrench 2x  
701127



1







4

**4a** Push the adapter key down.

**4b** With the key pushed down, pull the key back.

**4c** With the key pushed back, slide payment terminal onto mount.

Once the payment terminal is successfully attached to the mount, return the key to the original position.

