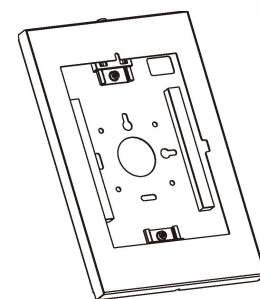
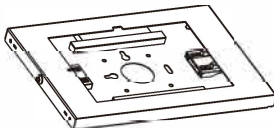
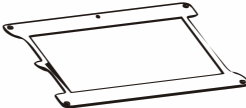
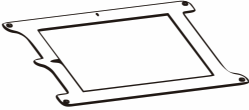

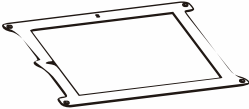





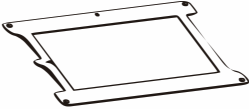
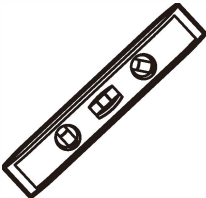
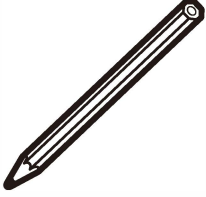
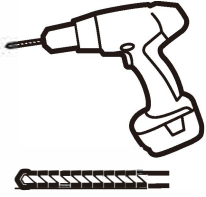
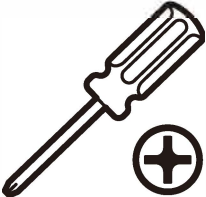


# Installation Instruction

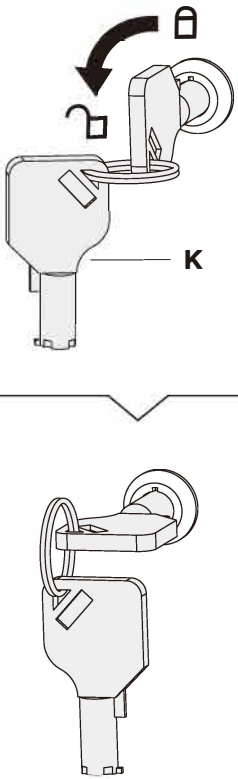
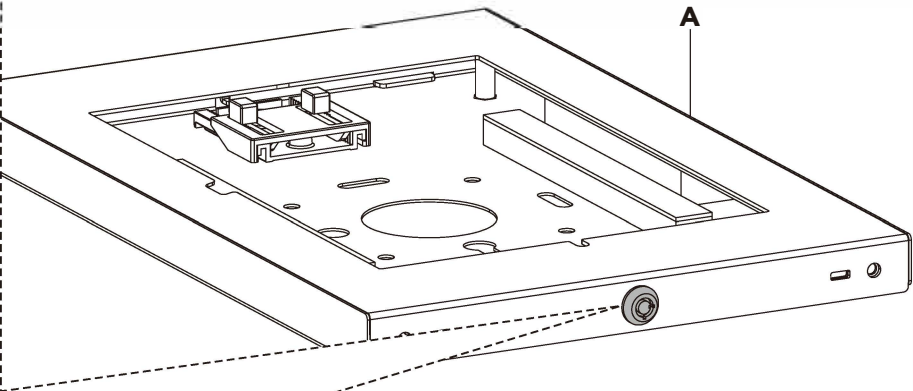
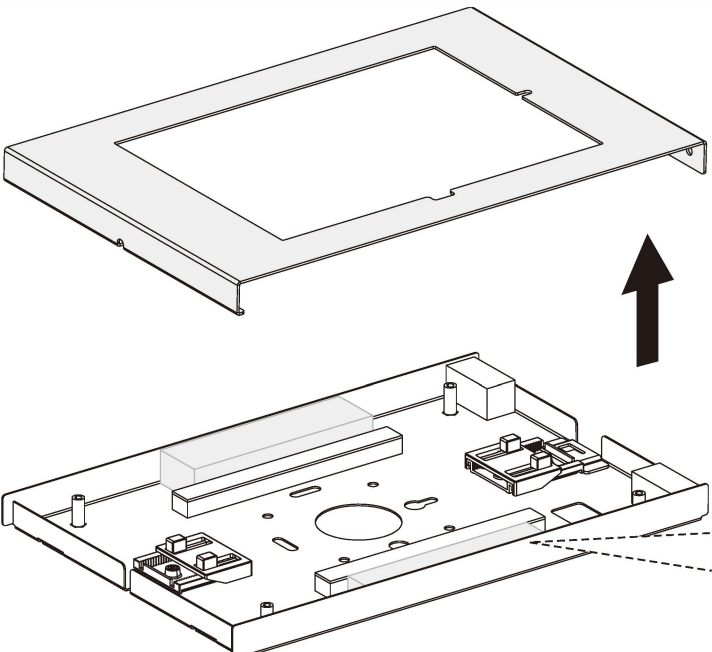
## MNTE10-UNIV

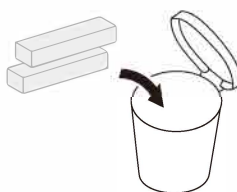


ITEM	DESCRIPTION	QUANTITY	ITEM	DESCRIPTION	QUANTITY
A	 enclosure	1	G	 panel 6	1
B	 panel 1	1	H	 M4x12	4
C	 panel 2	1	I	 ST4.8x30	4
D	 panel 3	1	J	 Ø6x30	4
E	 panel 4	1	K	 key	1
F	 panel 5	1			

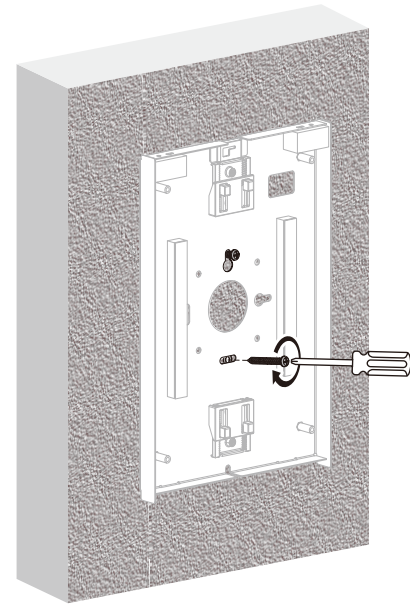
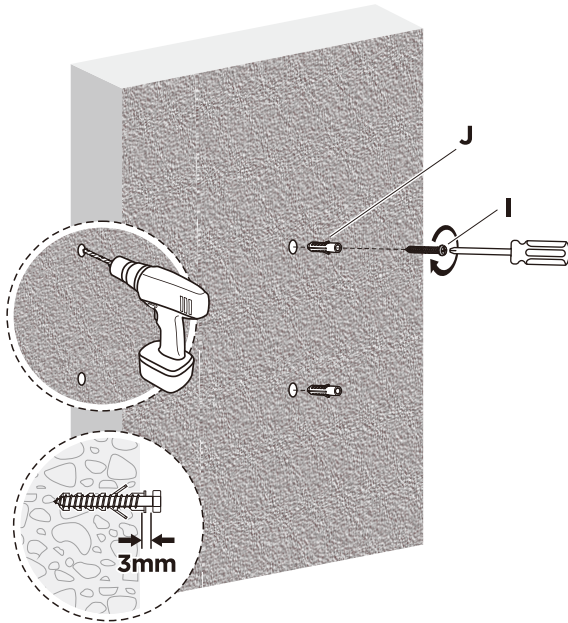
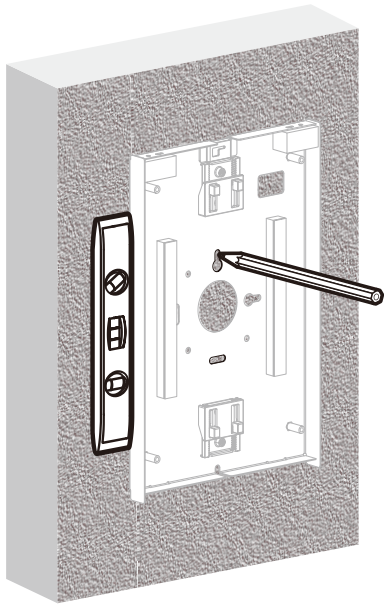
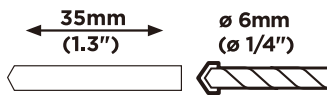
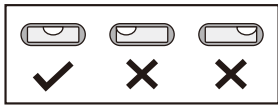
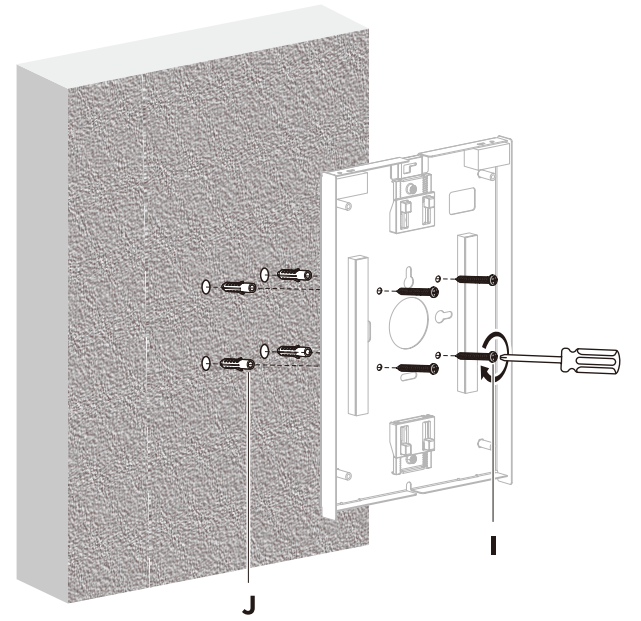
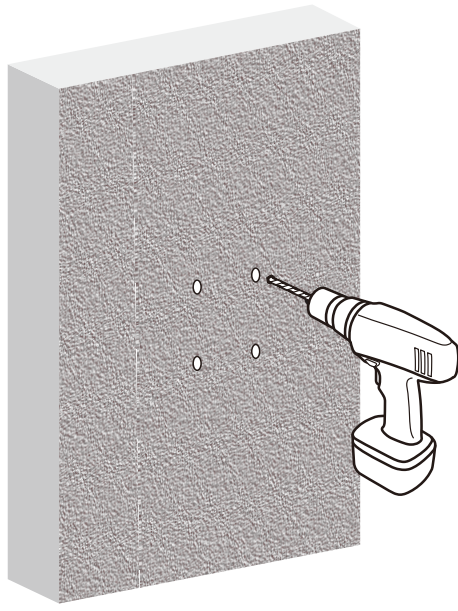
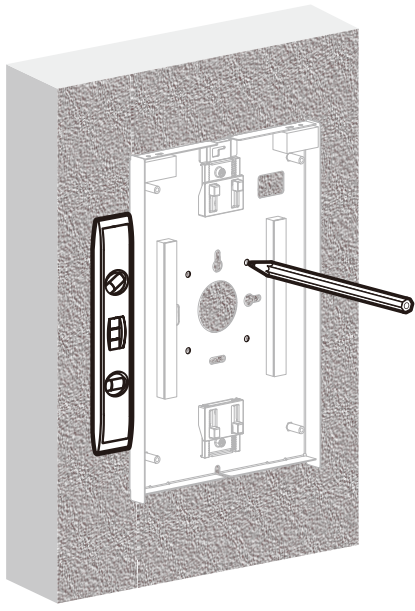
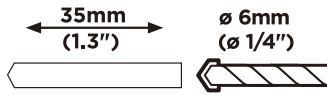
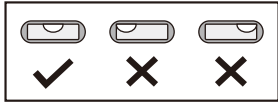





**1**

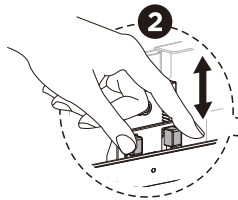
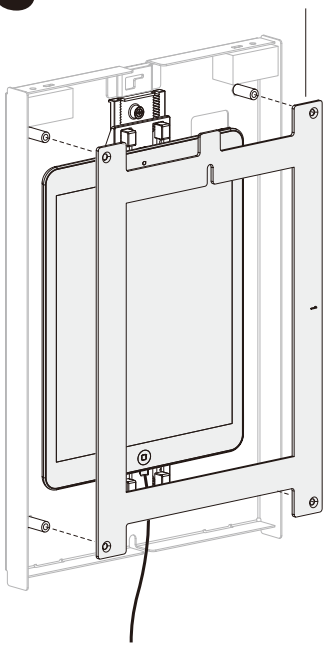






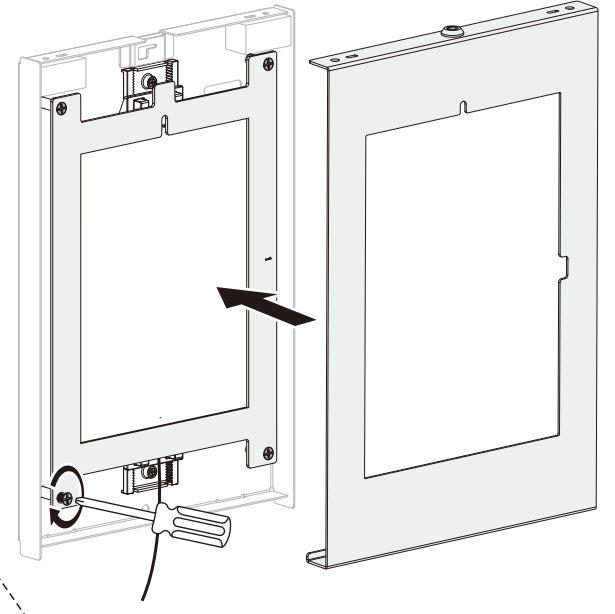
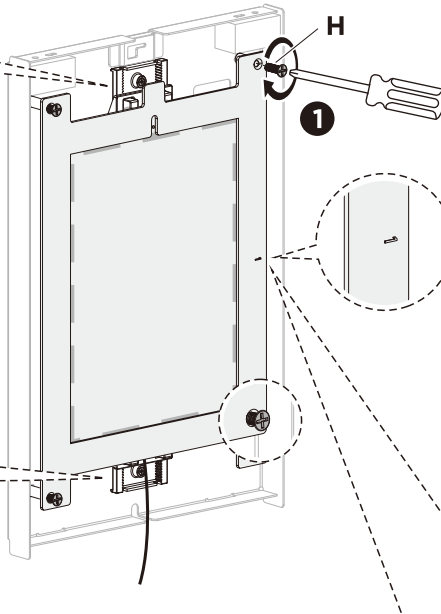
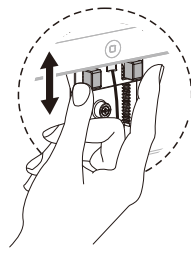
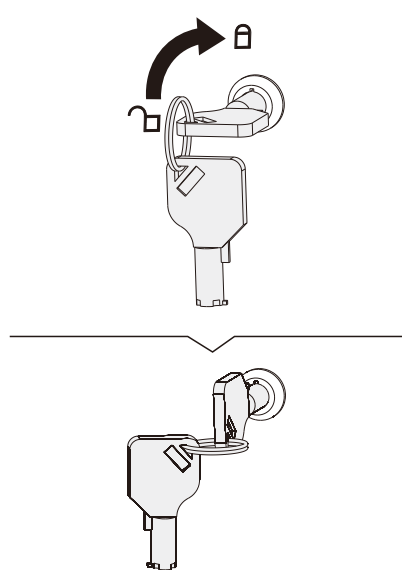
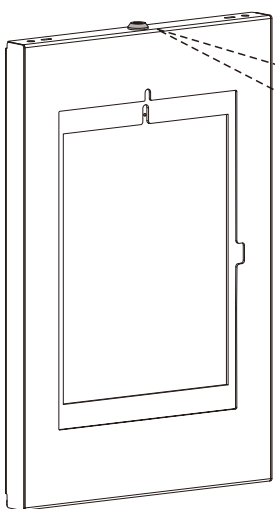
**Note:** Remove pearl cotton foam before installation.

**2****3**

B/C/D/E/F/G



Attach the panel to the enclosure using four screws (H). Before completely tightening the screws adjust the two claws to hold the tablet and to ensure the screen is aligned and visible through the front panel.

**4**

**Panel 1:** For 9.7" iPad 5/6, iPad Air 1/2 & iPad Pro (Gen 1)

**Panel 2:** For 10.2" iPad 7/8/9 & 10.5" iPad Air 3, iPad Pro (Gen 2)

**Panel 3:** For 11" iPad Pro (Gen 3/4/5) & 10.9" iPad 10, iPad Air 4

**Panel 4:** For 10.4" Samsung Galaxy Tab A7

**Panel 5:** For 10.1" Samsung Galaxy Tab A

**Panel 6:** For 10.4" Samsung Galaxy Tab S6 Lite

Choose the corresponding panel according to the tablet.