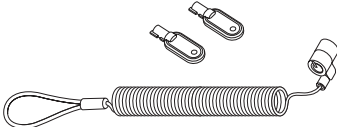


PARTS LIST

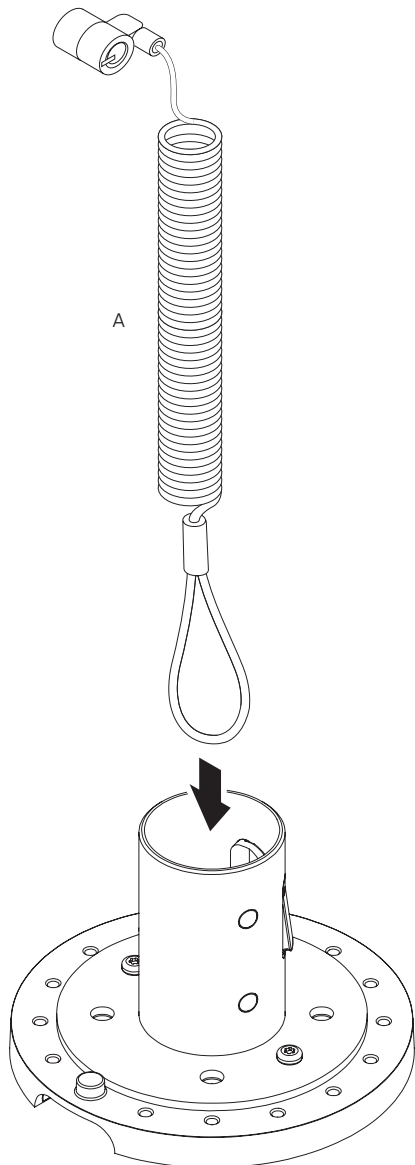
A Tether Security Loop 1x
715771



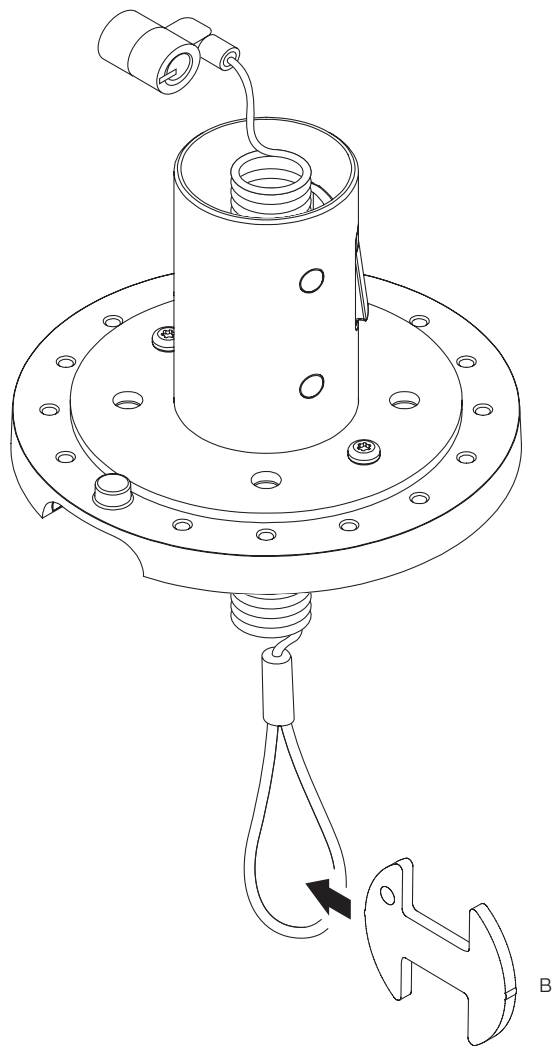
B Tether Retainer 1x
115645



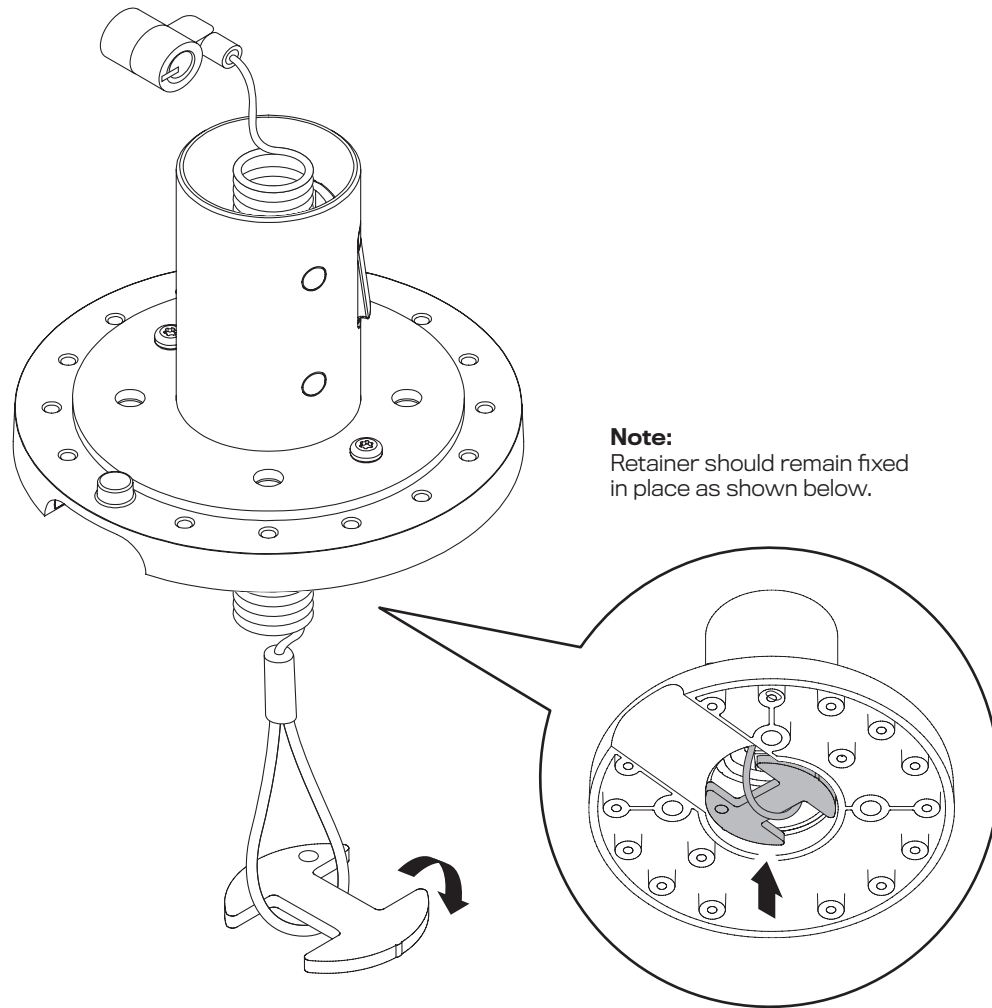
1



2



3



Follow the mount instructions to complete your assembly, then proceed to step 4.

