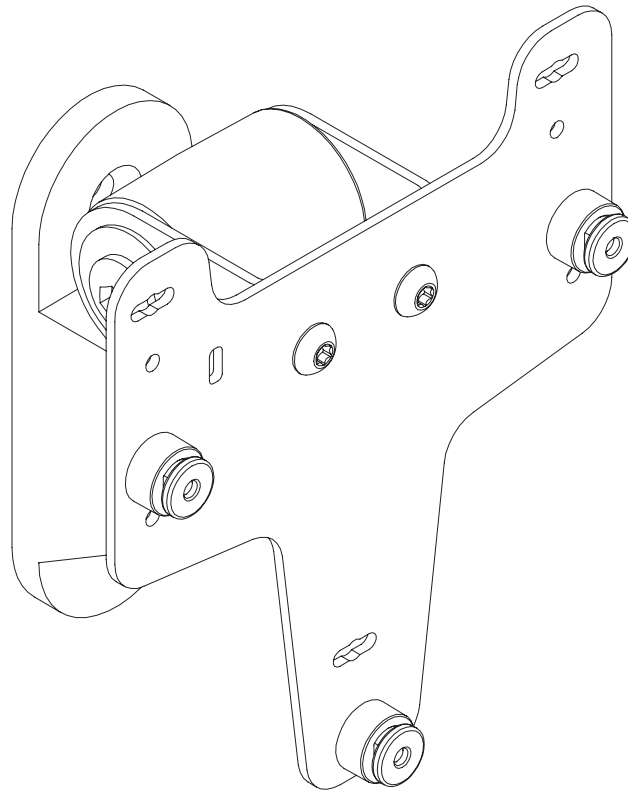


# PTS-WM-ISC250-ISC480

## Installation Instructions

---



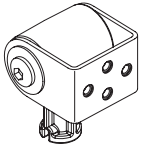
# PARTS LIST

A



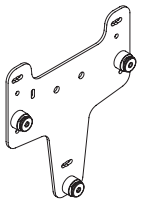
Wall Mount 1x  
RP406795

B



Mini Tilter 1x  
416267

C



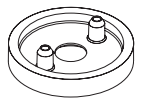
Ingenico iSC250/iSC480 Adapter Plate 1x  
113808

D



Tilt Bracket Screw 2x  
113900

E



Dog Washer 1x  
105189

F



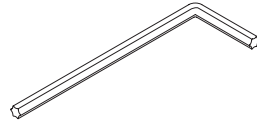
10-32 x 3/8" FPhMS w/Lock Patch 1x  
705198

G



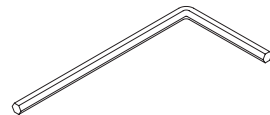
T15 L-Key 1x  
714904

H



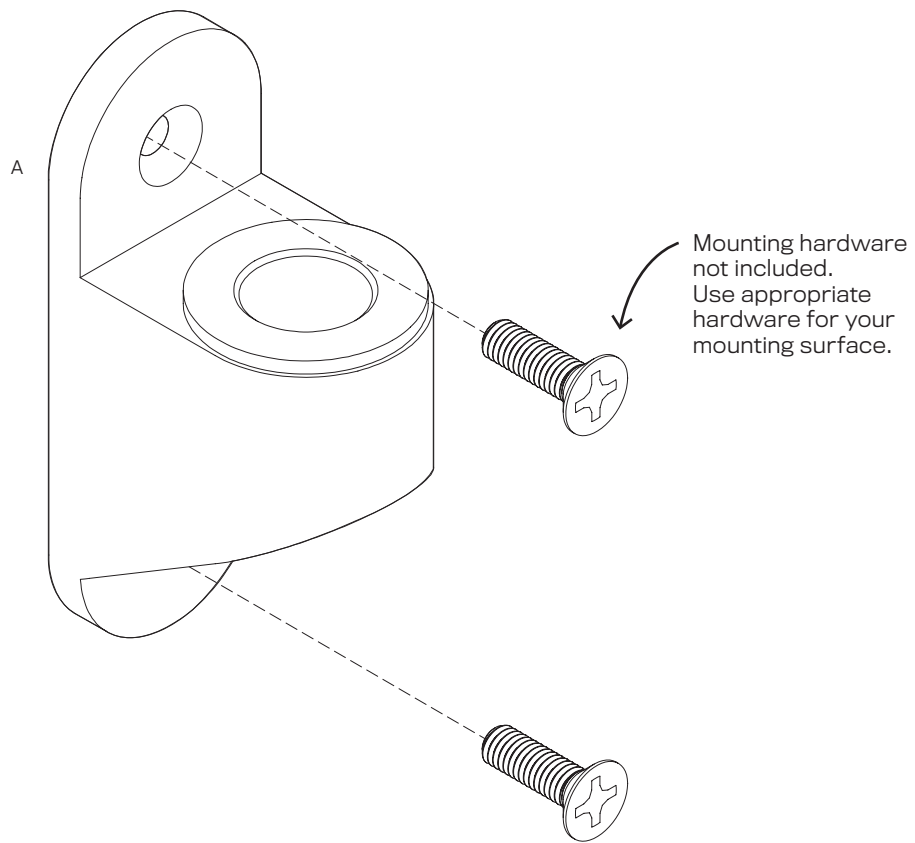
T25 L-Key 1x  
714899

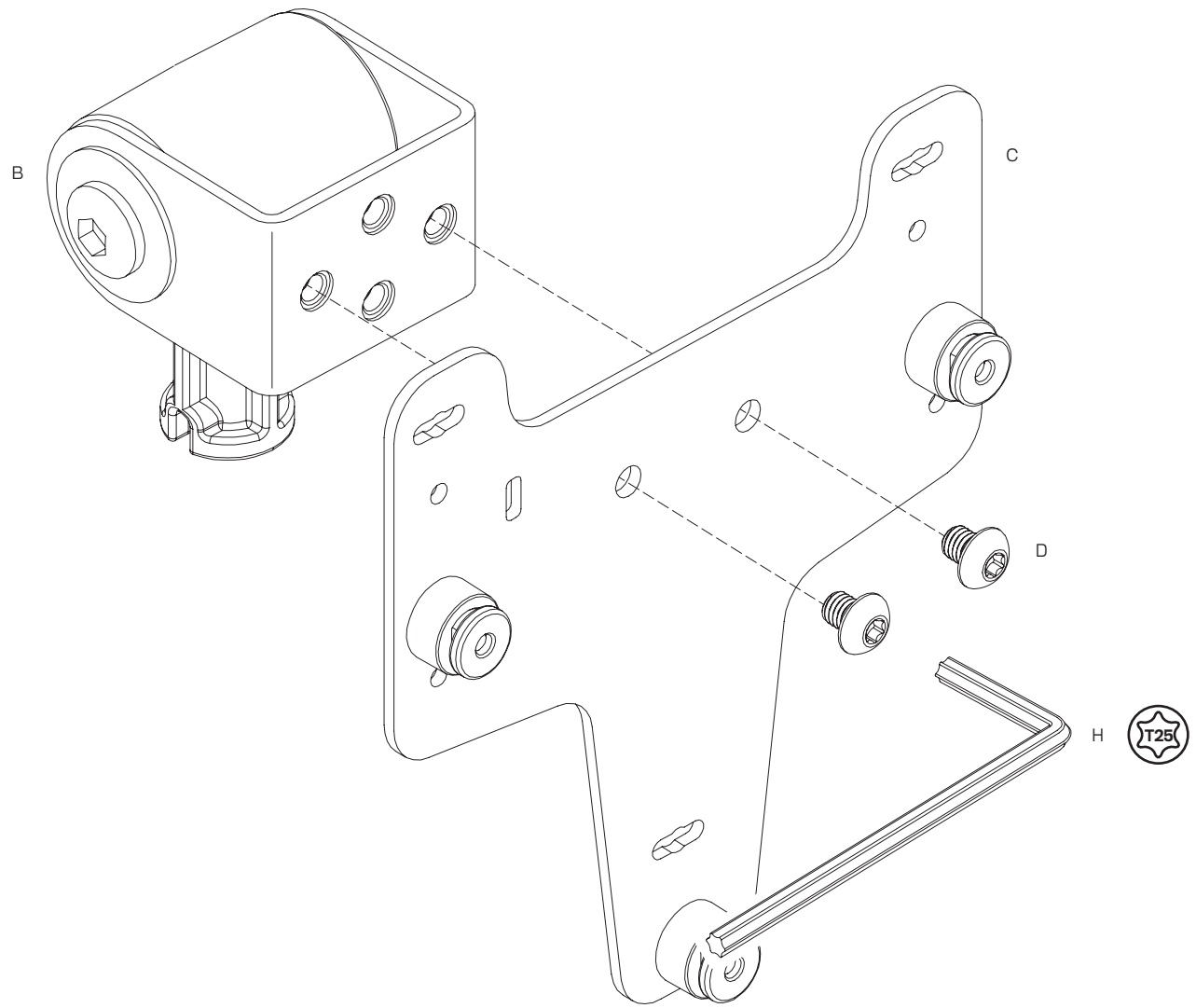
I

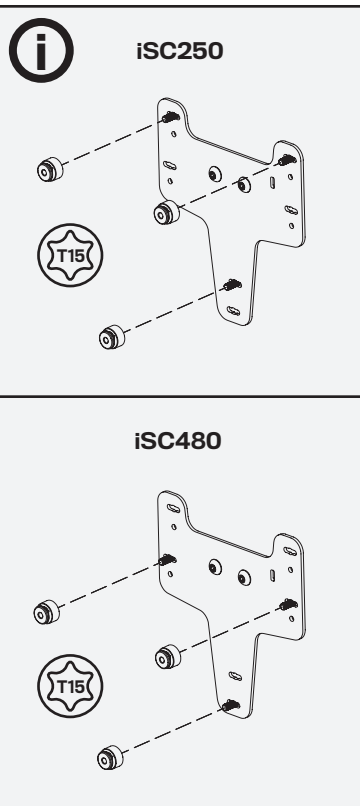


7/32" Allen Wrench 2x  
701127

1







3a

You may need to loosen the screws to allow the device to slide into place on the mount.

