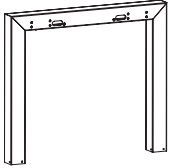
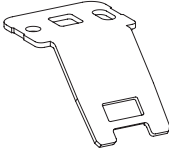

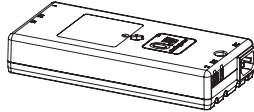
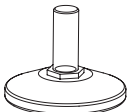
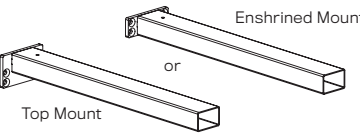

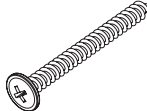
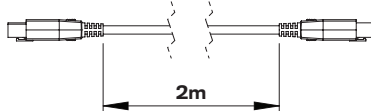


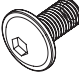

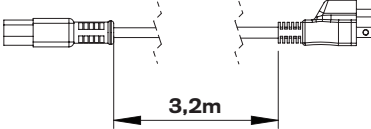
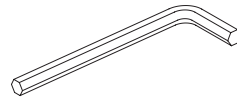

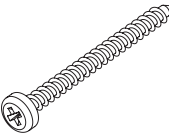
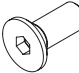
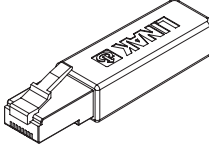


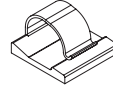

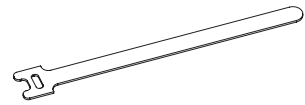
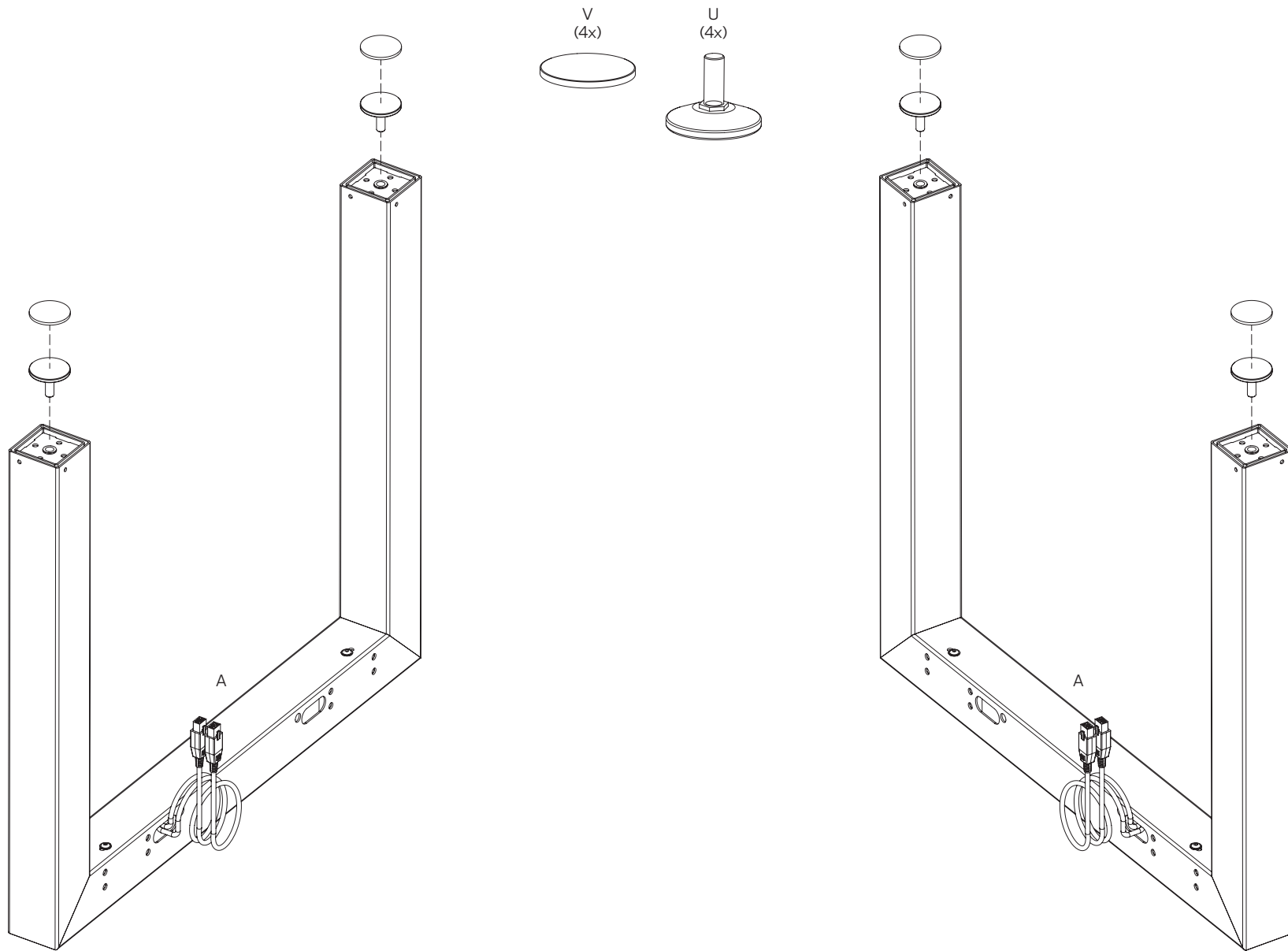
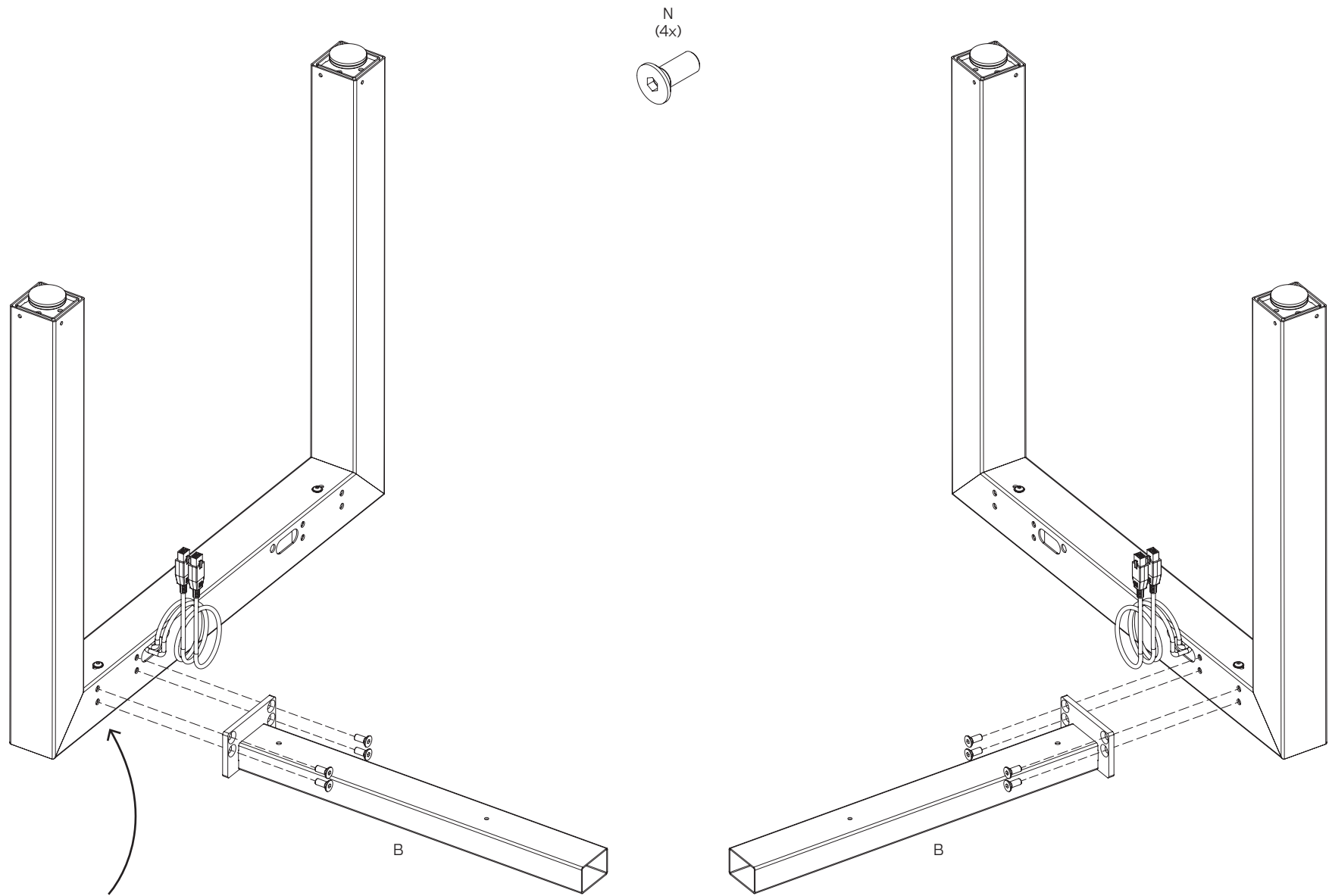


PARTS LIST

<p>A Elle Gable 30" R018 130 2x</p> 	<p>F Switch Bracket 45° RM-405-3 1x</p> 	<p>K ø 4 x 16mm Wood Screw R011 500 2x</p> 	<p>P Control Box CBD6S RM-403-5-P1 1x</p> 	<p>U Glider R011 917 4x</p> 
<p>B Crossbar 2x Topmount R063 198 Flushmount R063 199</p> <p>Enshrined Mount or Top Mount</p> 	<p>G Switch DPF1K RM-404-5 1x</p> 	<p>L ø 5 x 50mm FH Wood Screw R011 526 2x</p> 	<p>Q Motor Cable (2m) RN-401-2 4x</p>  <p>2m</p>	<p>V Mounting Pad for Glider R010 204 4x</p> 
<p>C Crossbar Shroud R088 300 1x</p> 	<p>H M8 x 20 Flange Head Screw R011020 4x</p> 	<p>M ø 5 x 20mm FH Wood Screw R011 530 27x</p> 	<p>R Power Cable (3.2m) CAB0015942 1x</p>  <p>3,2m</p>	<p>W 4mm Wrench R011 921 1x</p> 
<p>D Fixed Top Sidebar 2x Topmount R033 381 Flushmount R033 380</p> <p>Top Mount or Enshrined Mount</p> 	<p>I ø 4 x 45mm FH Wood Screw R011 520 2x</p> 	<p>N M8 x 20 Countersunk Screw R011 022 8x</p> 	<p>S Gyroscopic Collision Sensor DS100001DK-00 1x</p> 	<p>X 5mm Wrench R011 904 1x</p> 
<p>E Hat Profile R033 209 1x</p> 	<p>J Cable Clip Sticker R010 206 1x</p> 	<p>O M6 x 10 Flange Head Screw R011 073 2x</p> 	<p>T Velcro Strip R010 250 4x</p> 	

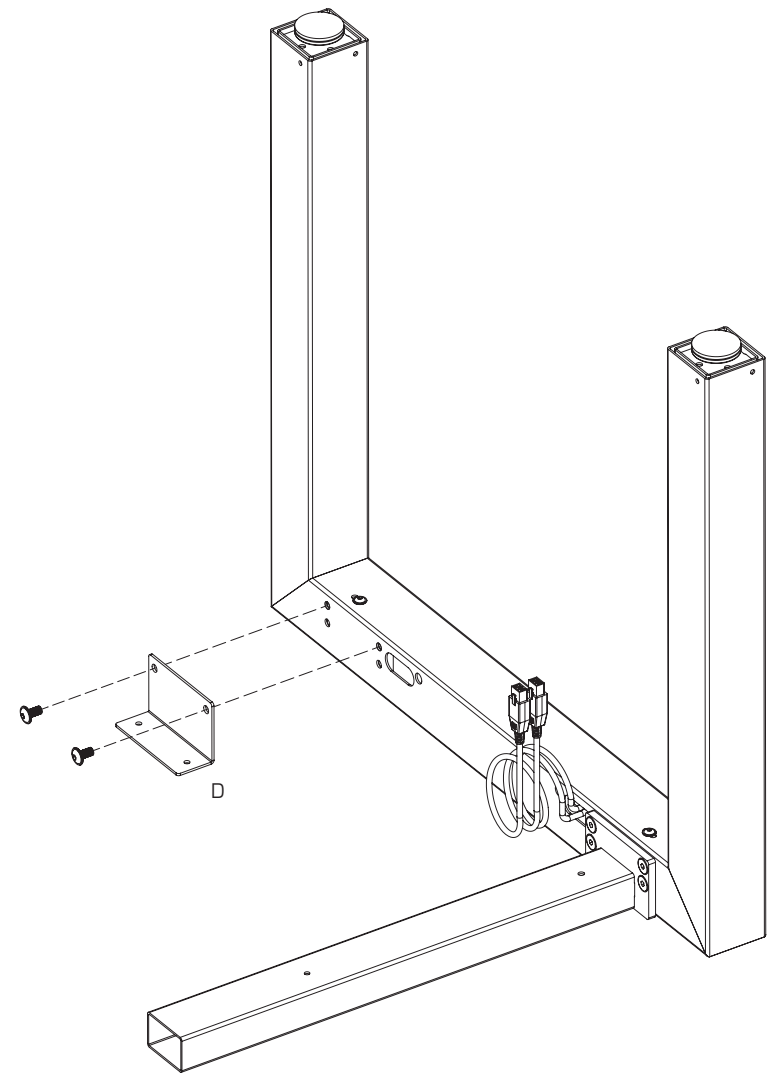
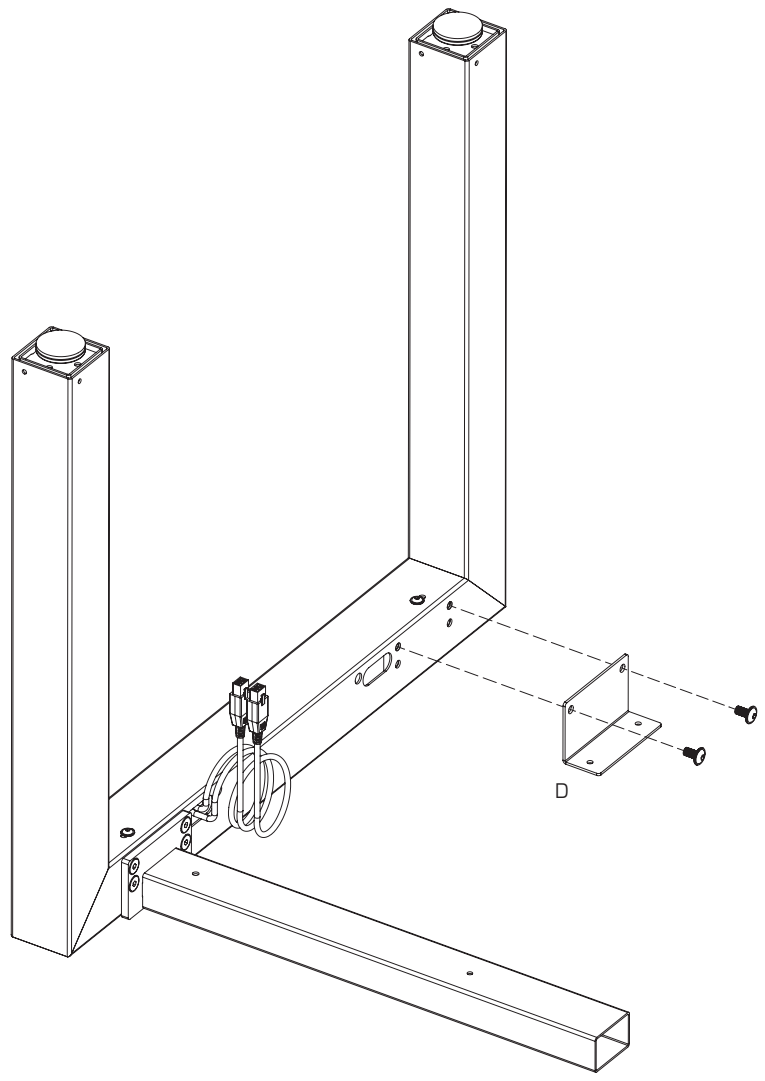
1



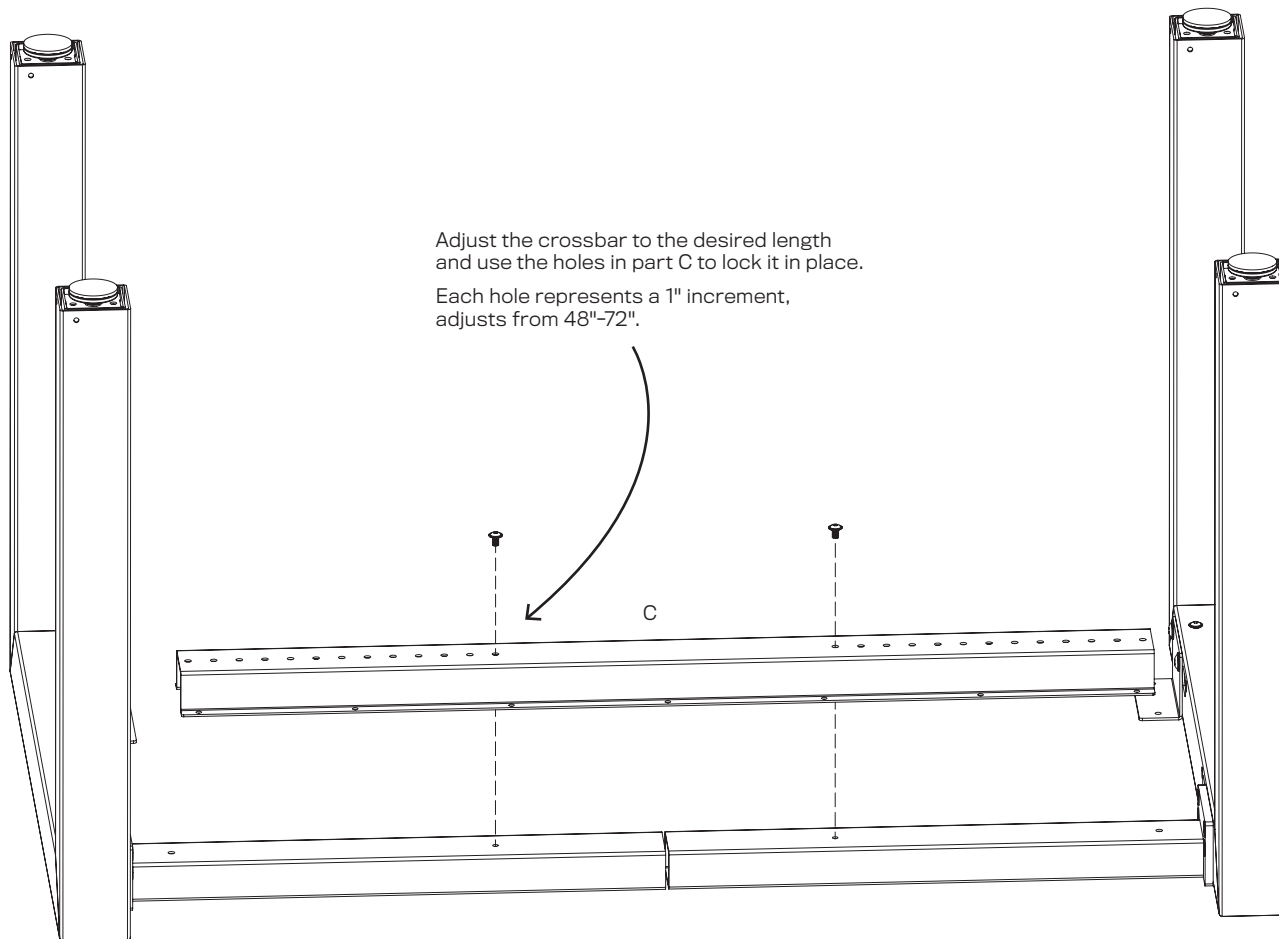


Caution: Mount the crossbar in the holes next to where the cables come out of the gable.

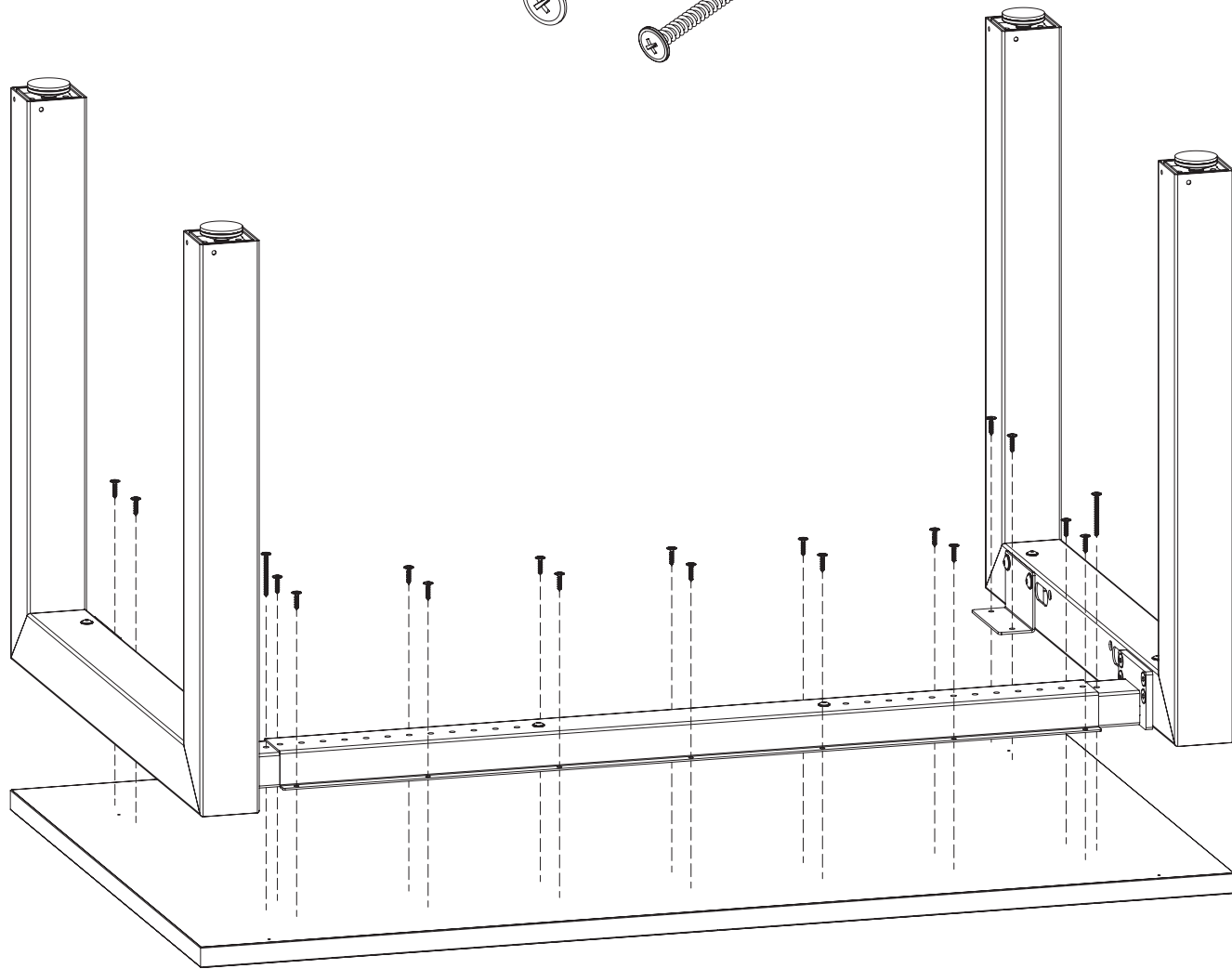
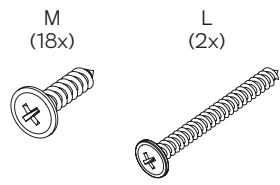
H
(4x)

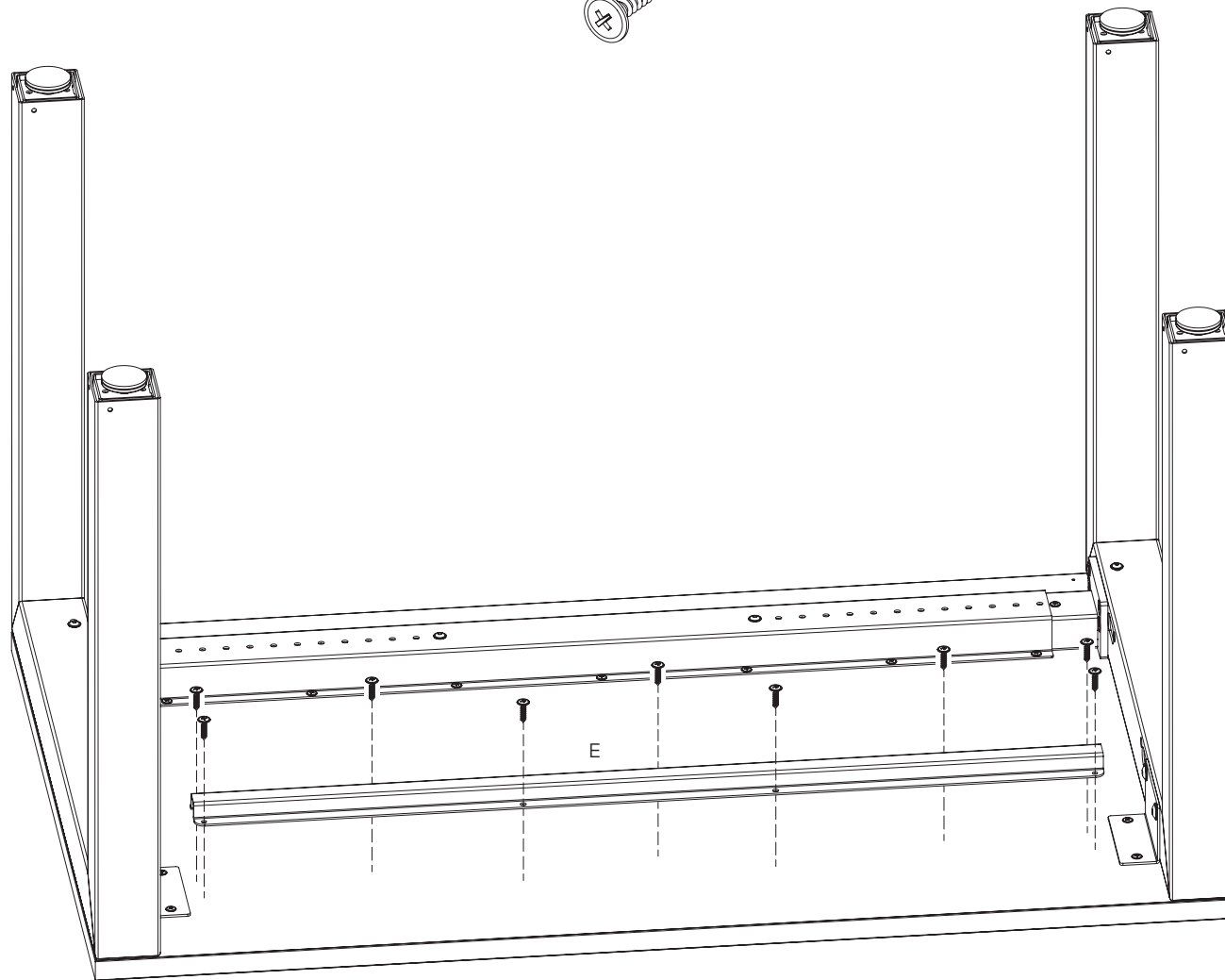
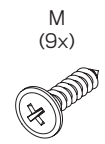


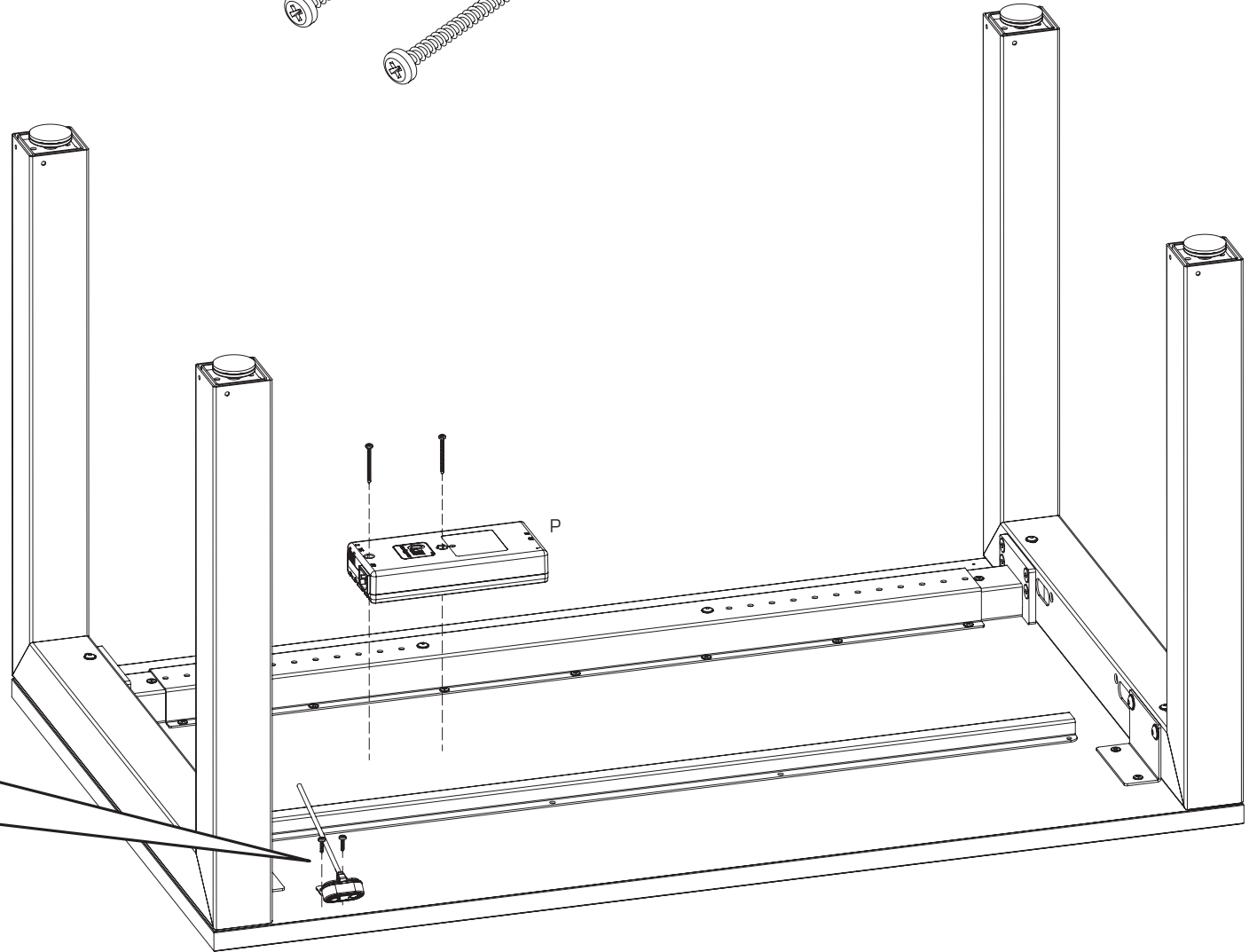
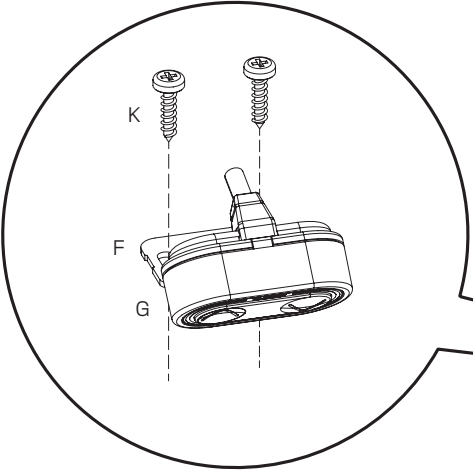
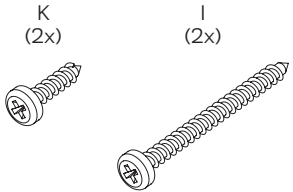
Ø
(2x)

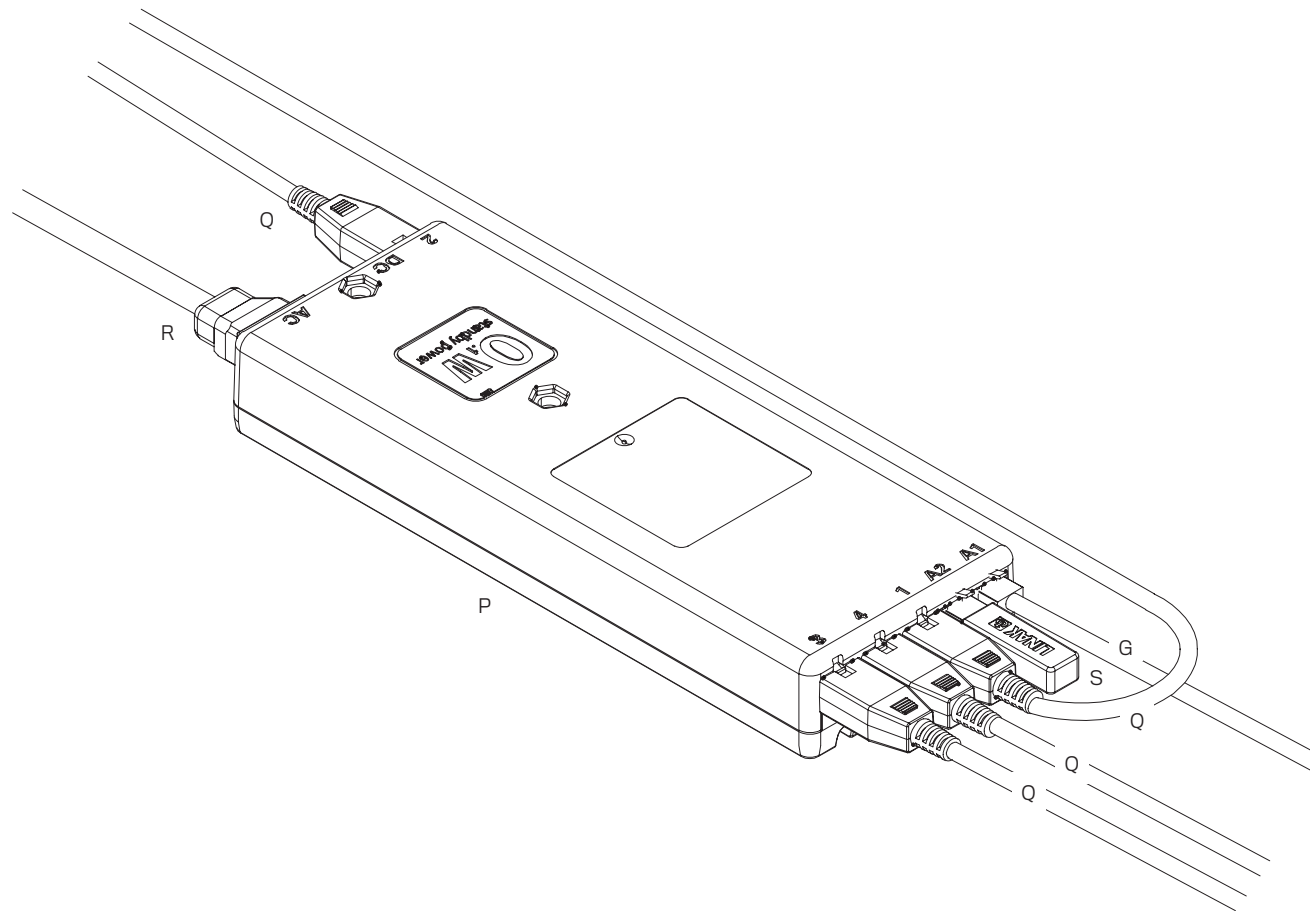


Adjust the crossbar to the desired length
and use the holes in part C to lock it in place.
Each hole represents a 1" increment,
adjusts from 48"-72".

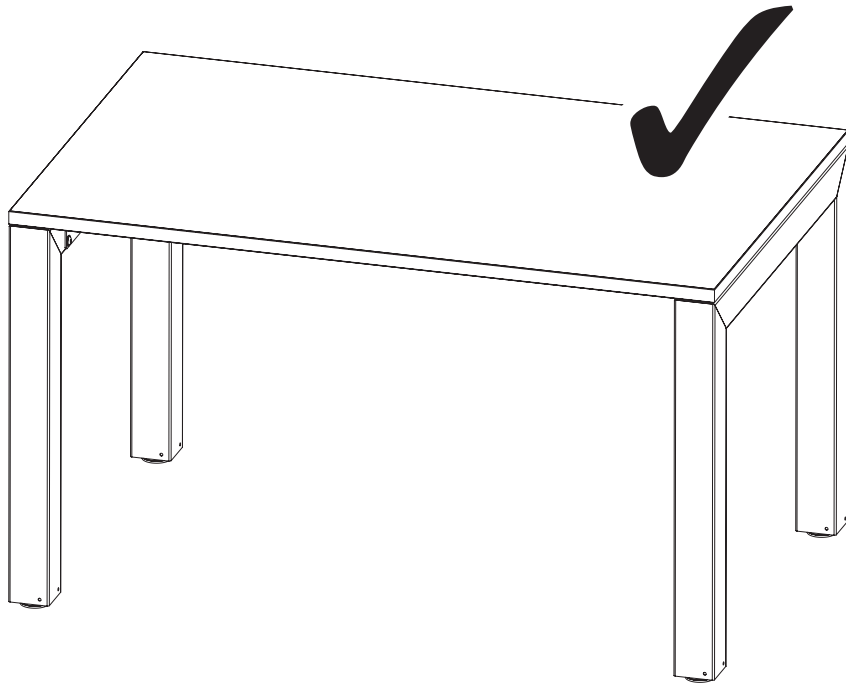




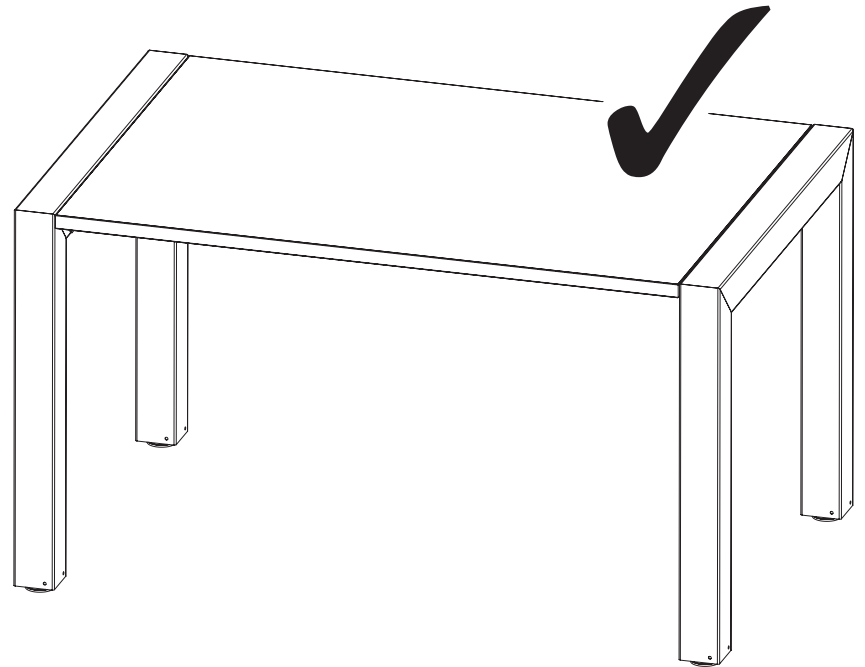




Caution: Leave the power turned off until all cables are connected.



Top Mount



Enshrined Mount