

IMPORTANT SAFETY INSTRUCTIONS

POWER RATING - 20 A, 120/250 VAC, 1 phase, 60 Hz or 120/208 VAC, 3 phase, 60 Hz

SAVE THESE INSTRUCTIONS

When using an electrical furnishing, basic precautions should always be followed, including the following:

DANGER

To reduce the risk of electric shock:

- Do not attempt to open or repair any of the Beam components.
- Keep all electrical components away from liquids. Beam is designed to operate in dry work areas only.
- Do not operate where aerosol (spray) products are being used or where oxygen is being administered.
- Do not use outdoors.

WARNING - Risk of Electric Shock, Fire, and Injury.

Review the assembly instructions to confirm that the appropriate critical components and accessories are being used with the furnishing.

System shall not be supplied by more than one source.

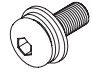
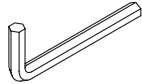
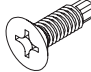
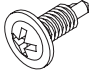

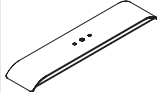
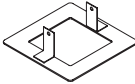
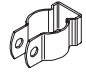

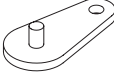





To reduce the risks of burns, fire, electric shock, or injury to persons:

- This product must be connected and disconnected by a Licensed Electrician, approved within jurisdiction.
- Use this furnishing only for its intended use as described in these instructions. Do not use attachments not recommended by the manufacturer.
- All parts that are connected electrically shall also be connected mechanically
- Cable Management Trays (CMT) should not be used for routing extension cords.
- Flexible cords of accessories or portable furnishings should not be routed across one complete Beam to another.
- Electrically interconnected furnishings must be mechanically interconnected.
- Cap all unused connector openings with the manufacturer's recommended termination system.
- Do not install this modular system across building floor expansion joints.




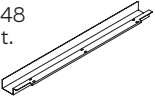
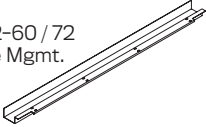

GROUNDING INSTRUCTIONS

This product must be connected to a grounded metal, permanent wiring system, or an equipment-grounding conductor must be run with the circuit conductors and connected to the equipment-grounding terminal or lead on the product.

PARTS LIST

	A M6 x 15 Screw	B 4mm Allen Wrench	C 4.2 x 16 Screw	D 4.2 x 16 Screw	E M5 x 8 Screw	F Foot (15")	G Ceiling Cover	H Conduit Hanger	I #10 x .5" Screw	J* Floor Anchor
HRPF23-E End Post w/Foot										
HRPF23-E End Post w/Foot (2 pack)	3x	1x	2x	-	-	1x	-	1x	1x	2x
HRPF23-E End Post w/Foot (2 pack)										
HRPF23-E End Post w/Foot (2 pack)	5x	1x	3x	-	-	2x	-	1x	1x	4x
HRPF23-180 180° Post w/Foot										
HRPF23-180 180° Post w/Foot	3x	1x	3x	-	-	1x	-	-	-	2x
HRPF23-180 180° Post w/Foot (2 pack)										
HRPF23-180 180° Post w/Foot (2 pack)	5x	1x	5x	-	-	2x	-	-	-	4x
HRP24-L L Post										
HRP24-L L Post	-	-	3x	-	-	-	-	-	-	-
HRP24-T T Post										
HRP24-T T Post	-	-	4x	-	-	-	-	-	-	-

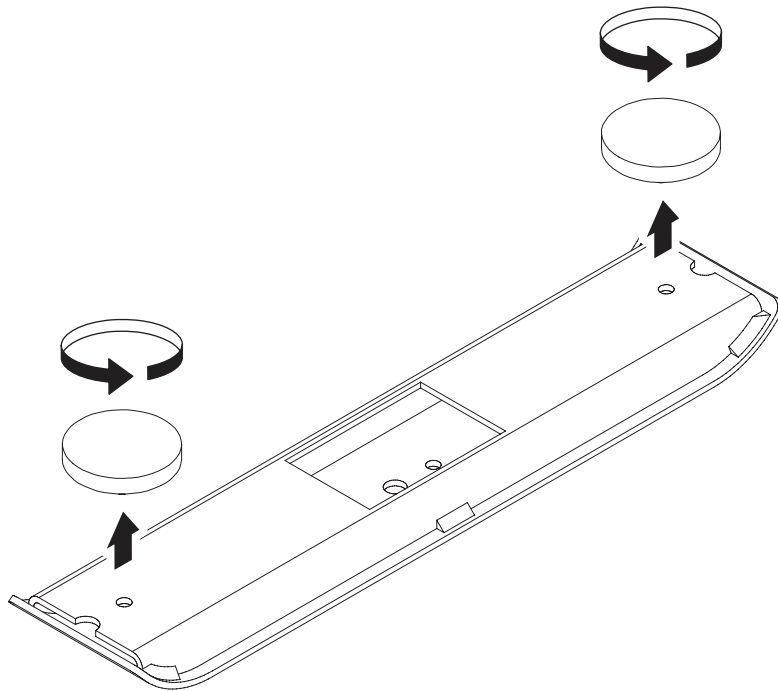
PARTS LIST CONTINUED

	A M6 x 15 Screw	B 4mm Allen Wrench	C 4.2 x 16 Screw	D 4.2 x 16 Screw	E M5 x 8 Screw	F Foot (15")	G Ceiling Cover	H Conduit Hanger	I #10 x .5" Screw	J* Floor Anchor
HRP24-X X Post 	-	-	5x	-	-	-	-	-	-	-
HRP-2-120 120° 2-way Post 	-	-	3x	-	-	-	-	-	-	-
HRP-3-120 120° 3-way Post 	-	-	4x	-	-	-	-	-	-	-
CMT2-36 / 48 Cable Mgmt. Tray 	-	-	-	-	14x	-	-	-	-	-
CMT2-60 / 72 Cable Mgmt. Tray 	-	-	-	-	18x	-	-	-	-	-
PP12 Post Power Pole 	3x	1x	2x	3x	-	1x	1x	1x	1x	2x

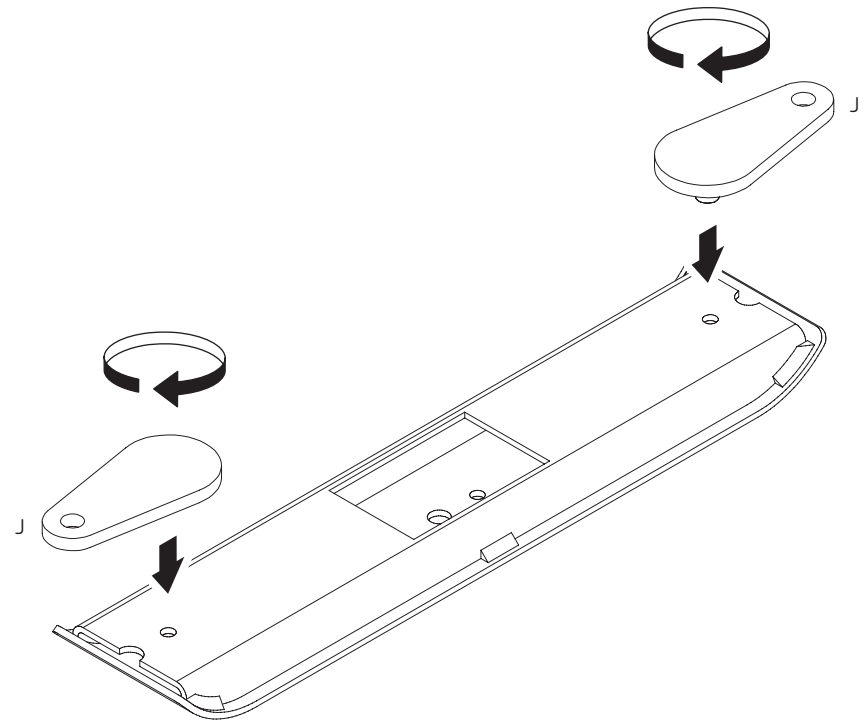
FREESTANDING APPLICATIONS*

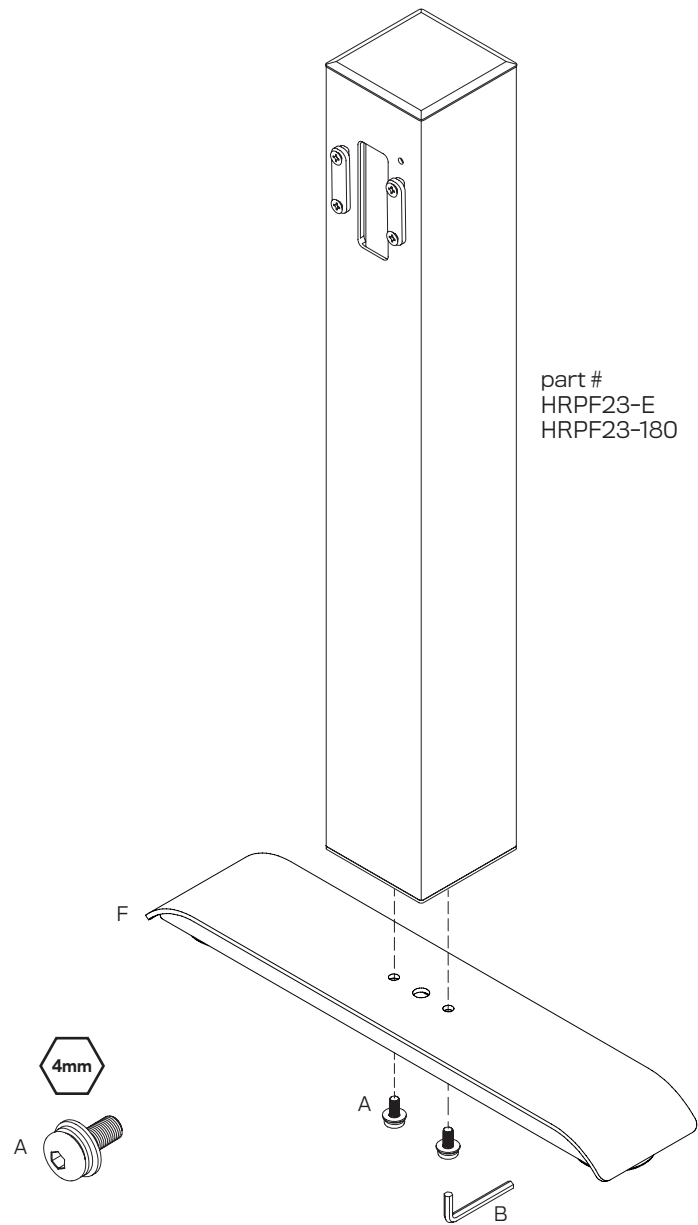
To comply with stability requirements the beam system must be placed between furnishings. When placed in an open area or when a danger of tipping hazard is present, beam system shall be permanently attached to structure below. Floor Anchors may be obtained from HAT Collective (part # P117082). See page 17 of this manual for recommended hardware and mounting instructions.

1a



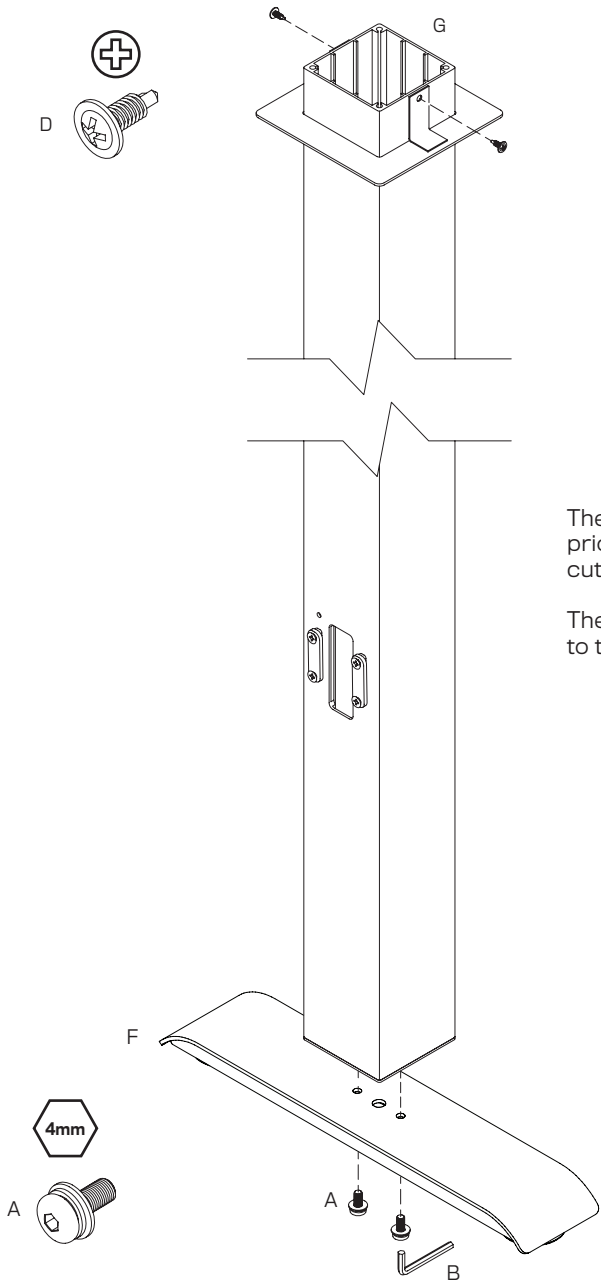
1b





OPTIONAL POWER POLE*

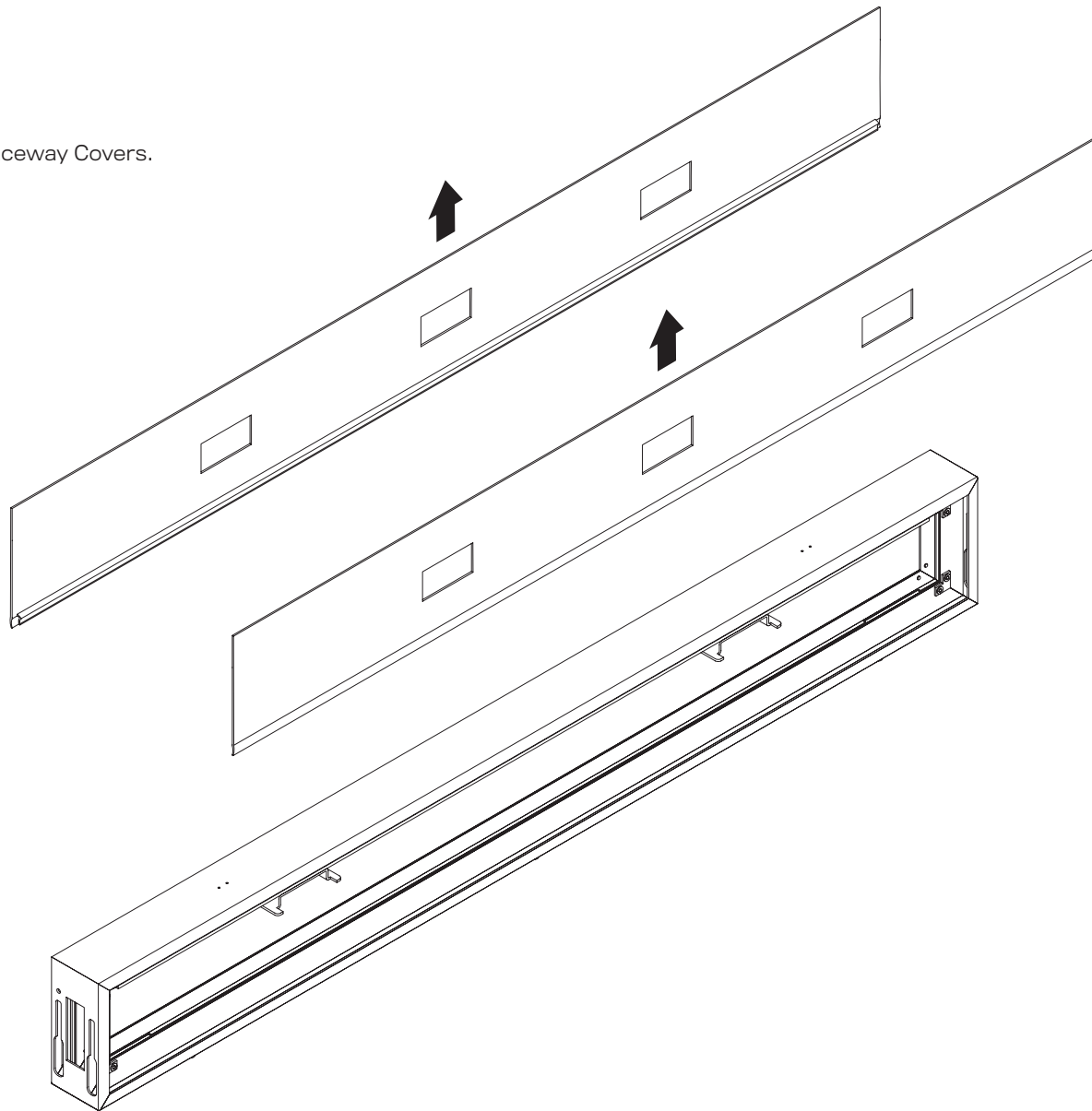
3



The Power Pole can be cut down prior to installation. Use aluminum cutting blade/saw.

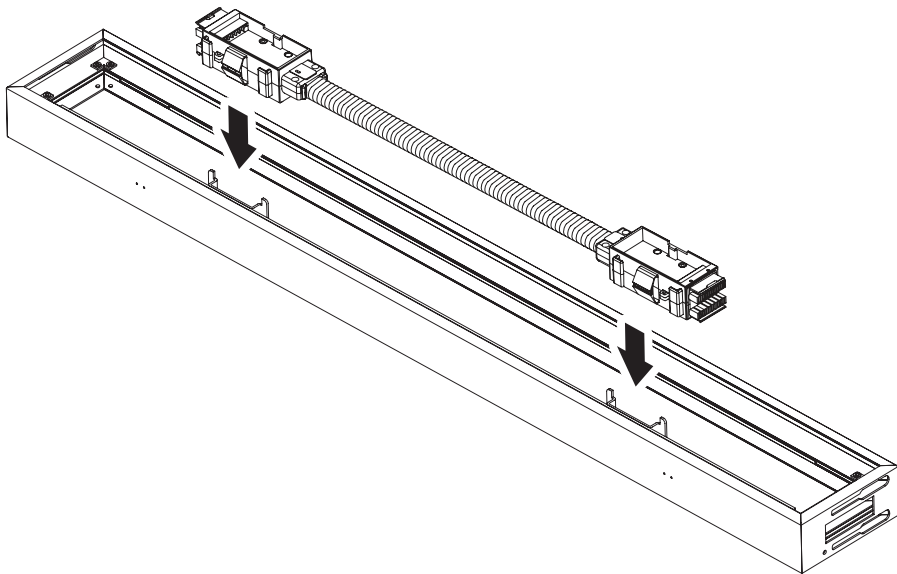
The Power Pole shall be secured to the building structure above.

Remove pre-installed Raceway Covers.



Lay the Beam on its side when installing the Power Trac.

Snap the Power Trac (part # PT-XX) into the pre-installed clips inside the Beam Frame.

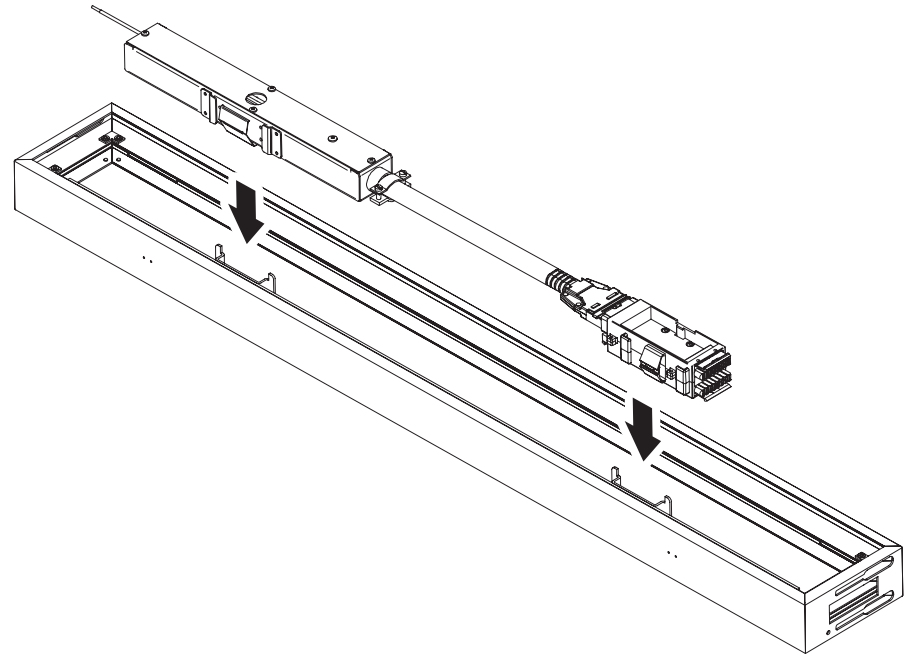


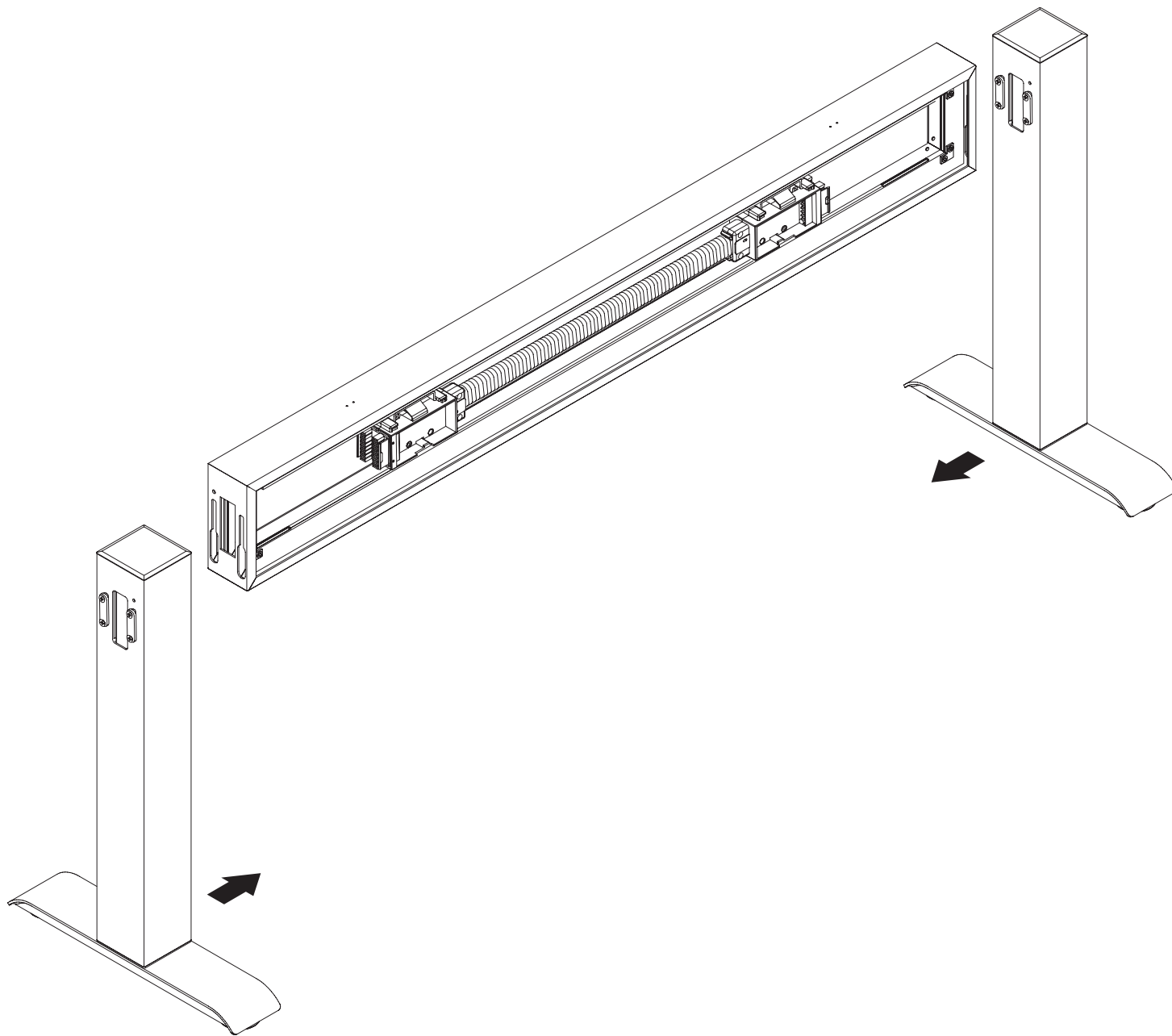
OR

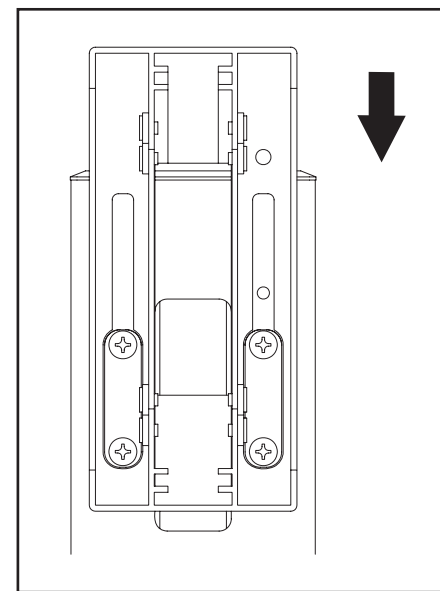
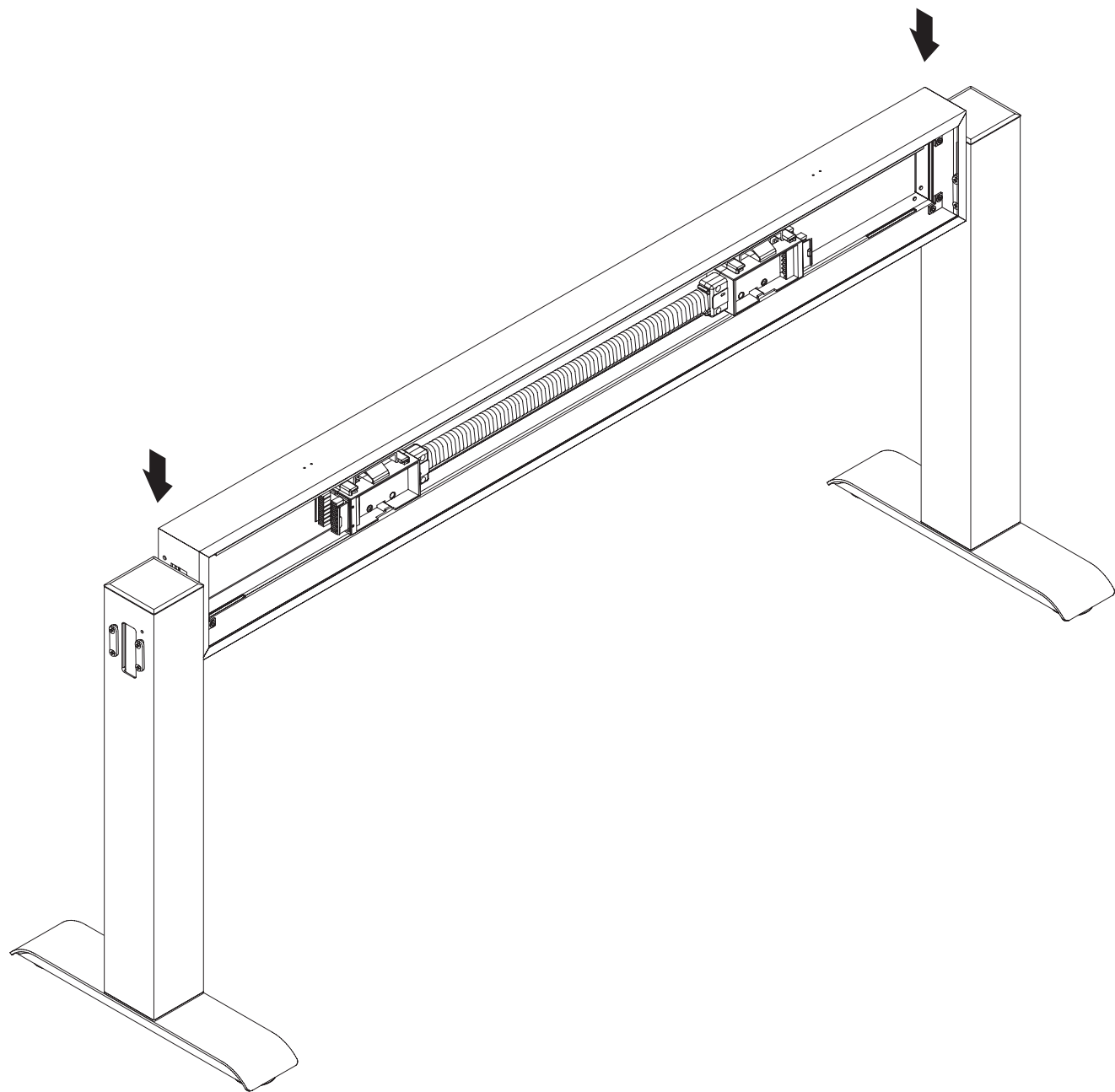
Optional NY Infeed Kit

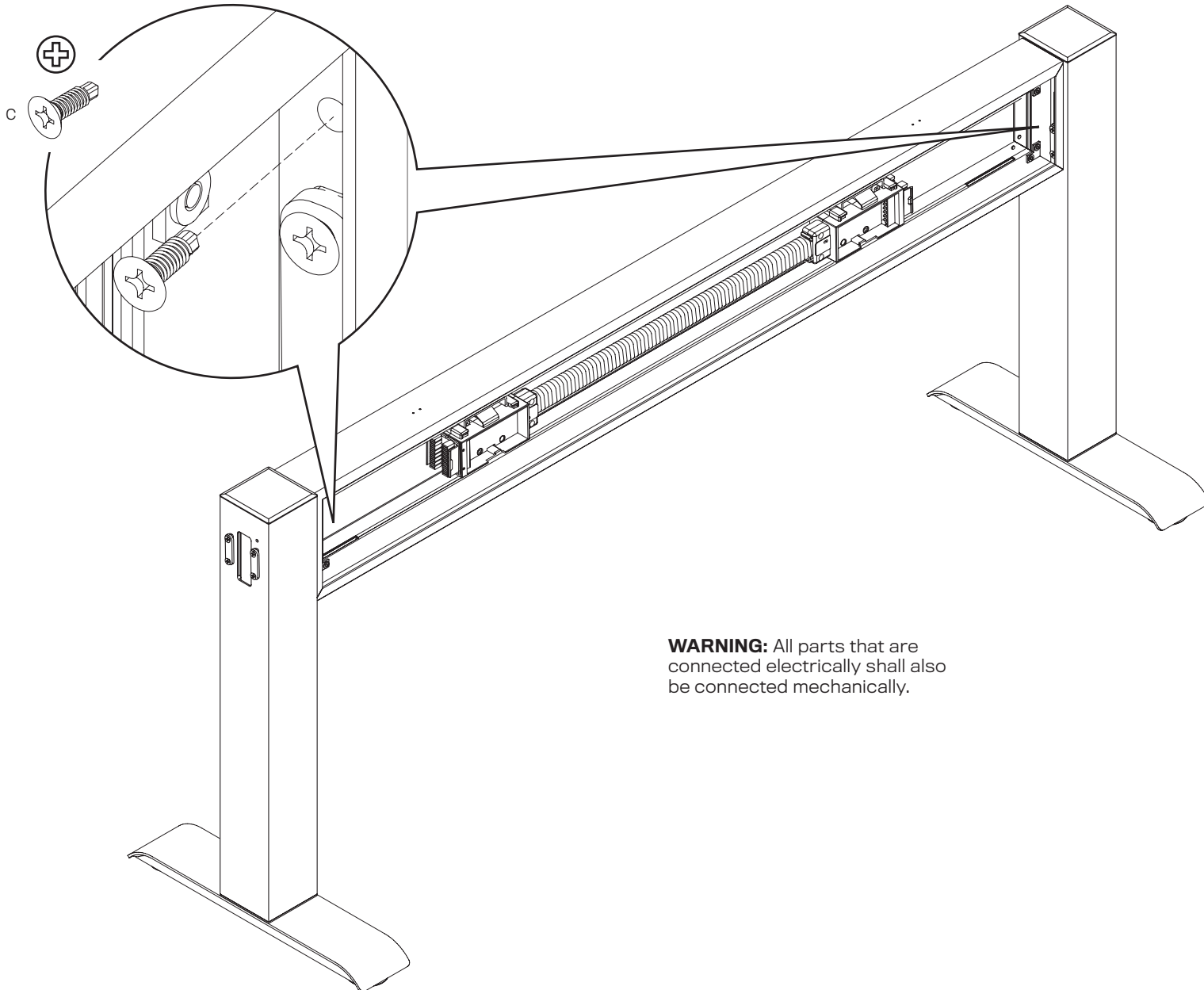
Lay the Beam on its side when installing the NY Infeed Kit.

Snap the optional NY Infeed Kit (part # BFK-E-NY 72/XX) into the pre-installed clips inside the Beam Frame.



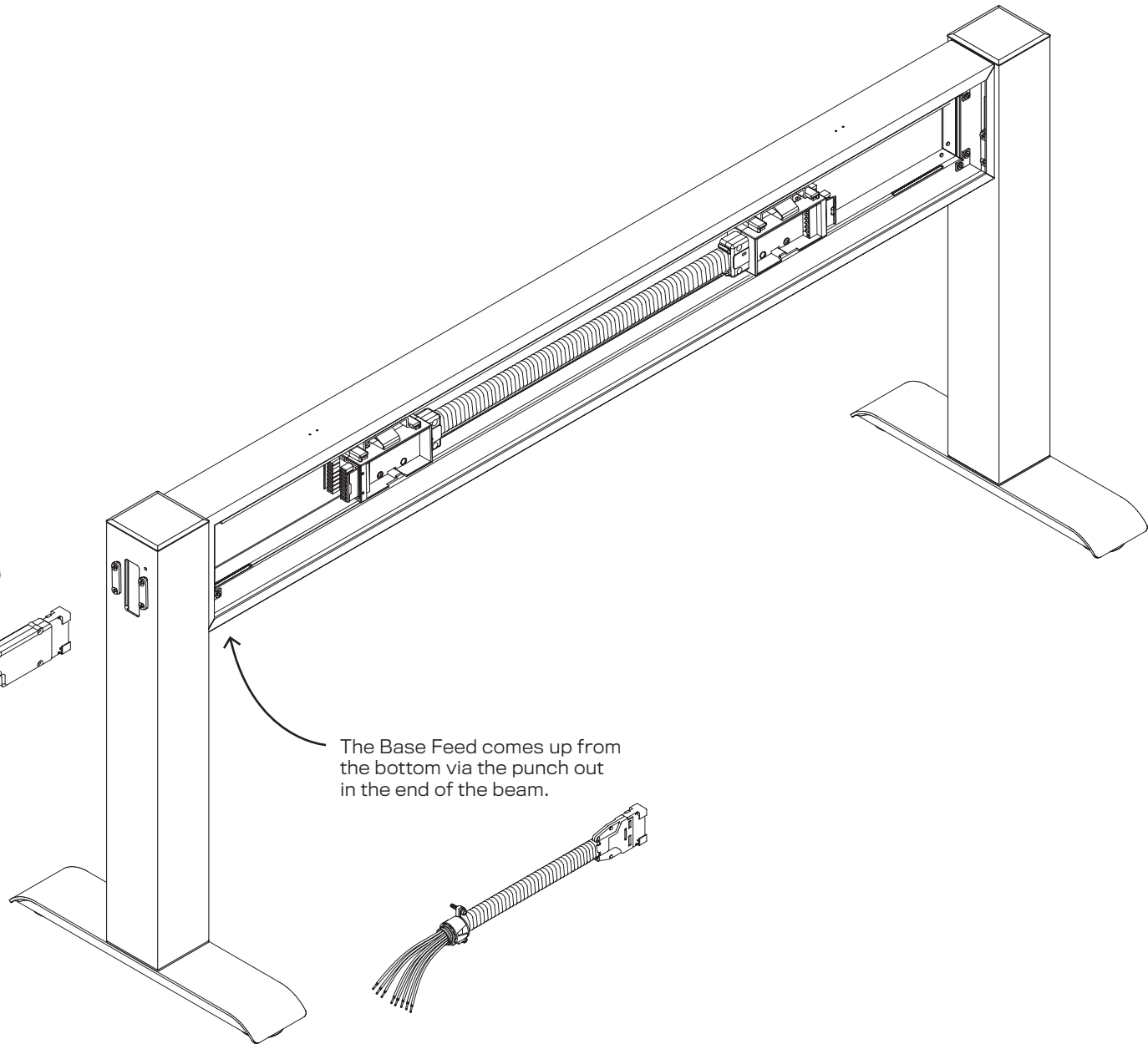
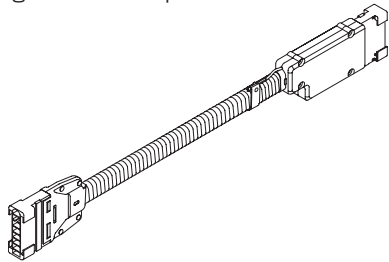






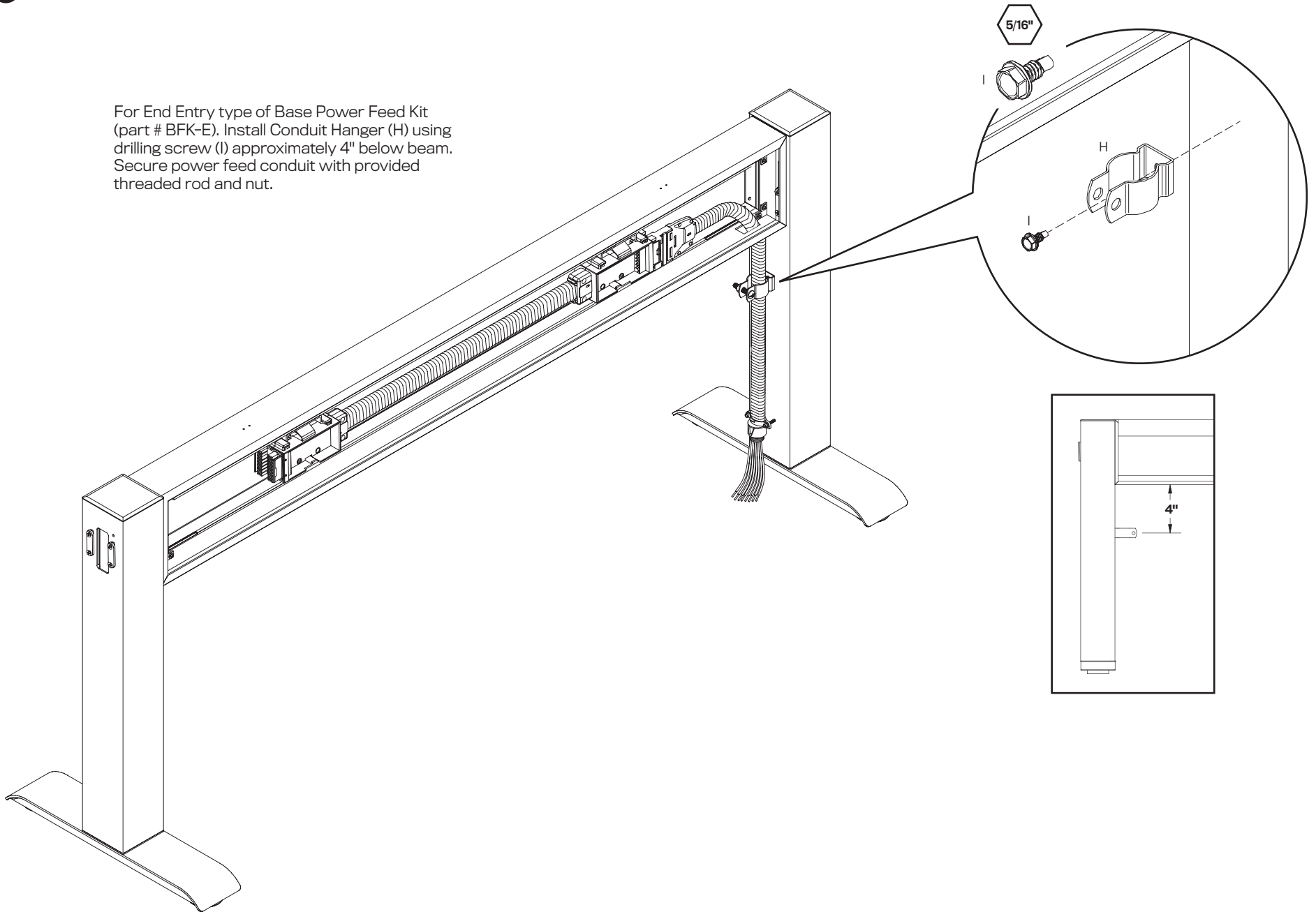
WARNING: All parts that are connected electrically shall also be connected mechanically.

Run appropriate length
Jumpers (part # HR-XX JUMPER)
through connector posts.

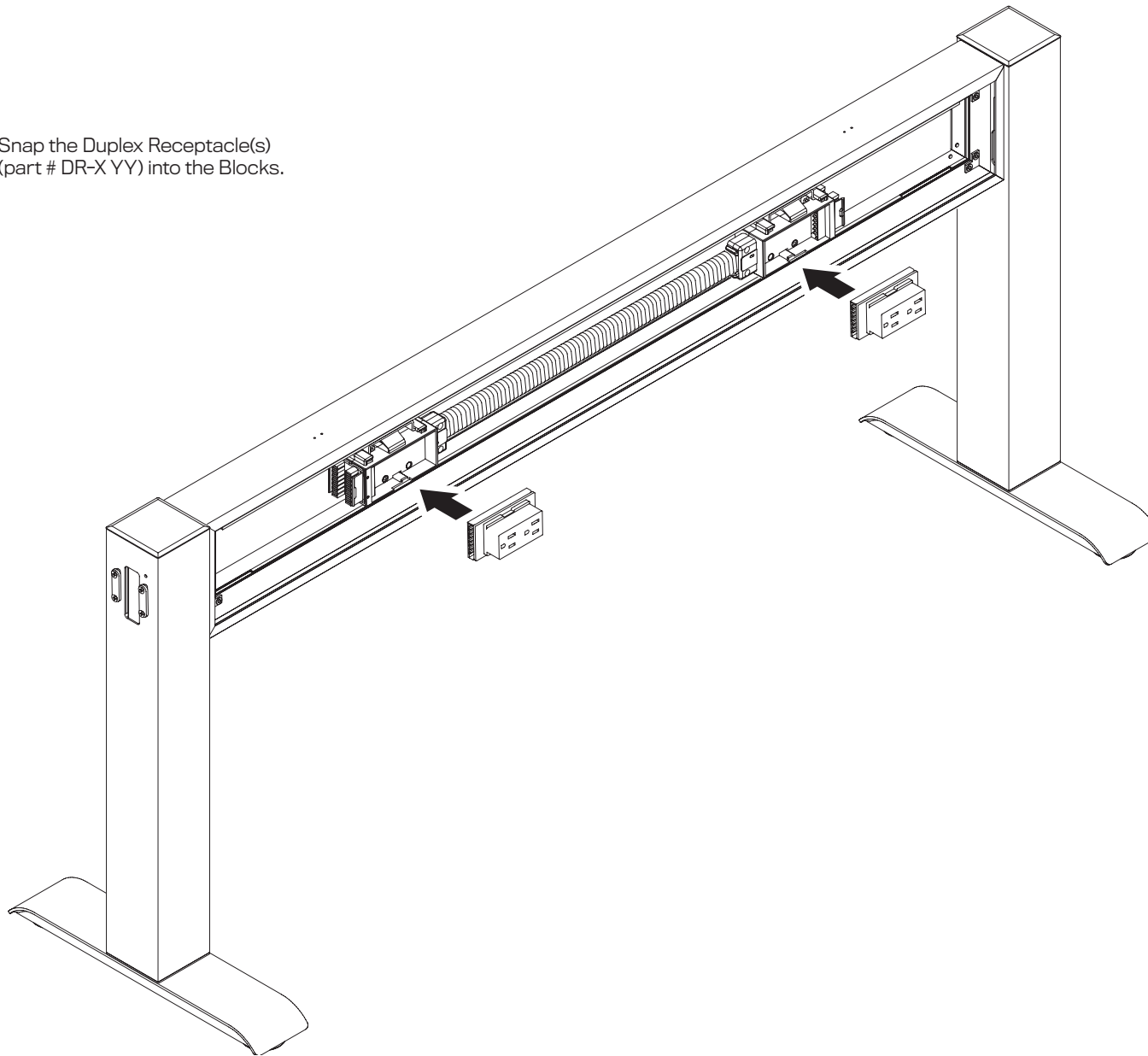


The Base Feed comes up from
the bottom via the punch out
in the end of the beam.

For End Entry type of Base Power Feed Kit (part # BFK-E). Install Conduit Hanger (H) using drilling screw (I) approximately 4" below beam. Secure power feed conduit with provided threaded rod and nut.

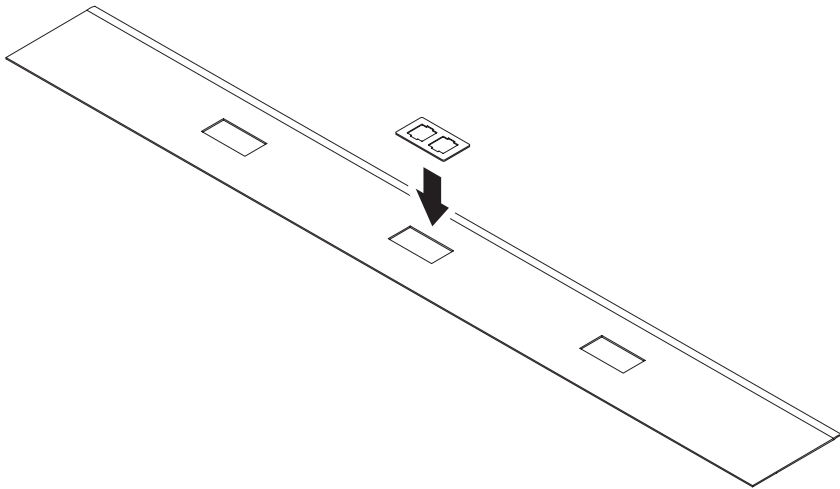


Snap the Duplex Receptacle(s)
(part # DR-X YY) into the Blocks.



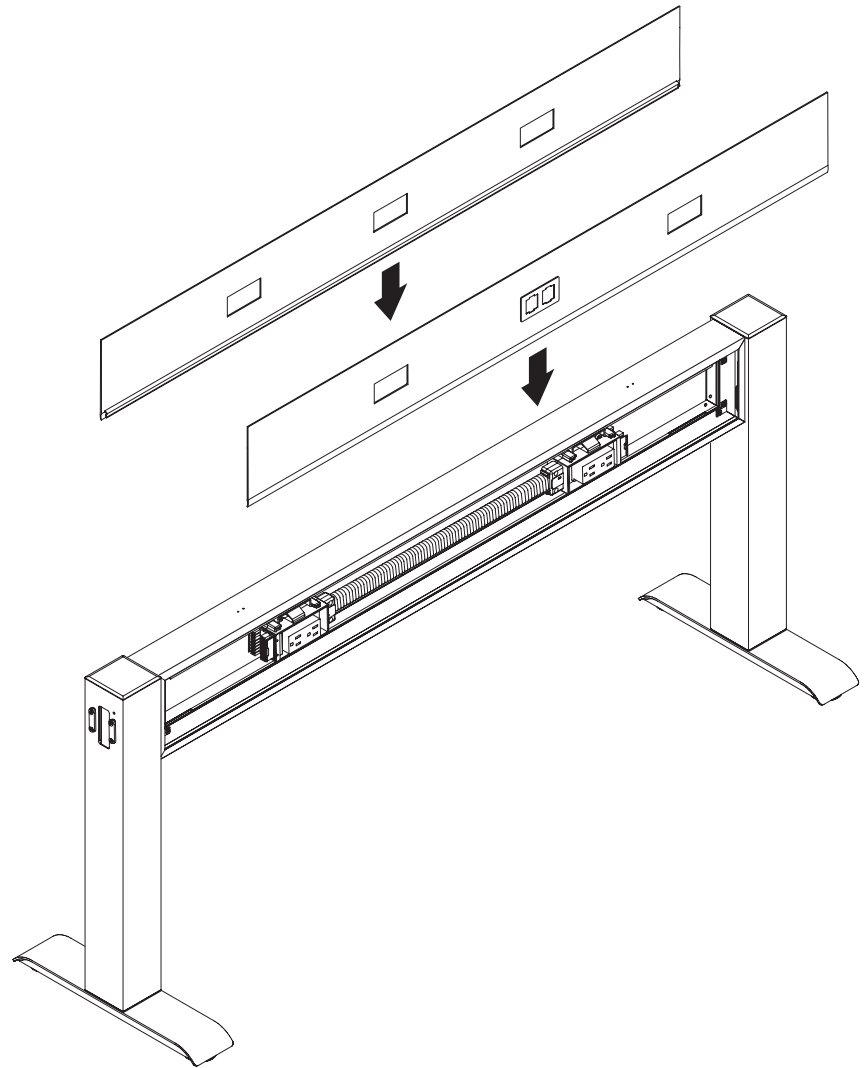
12

Install the Faceplate Cover(s)
(part # HR-FACEPLATE XX, sold separately),
Voice/Data Adapter Kit(s)
(part # HR-VOICE/DATA XX, sold separately).



13

Install Raceway Covers
back onto Beam.



Secure the Power Beam or the Power Pole to the building structure with suitable fasteners for the floor construction type, compliant with applicable local building codes or regulations **(hardware not included)**.

Recommended Hardware:

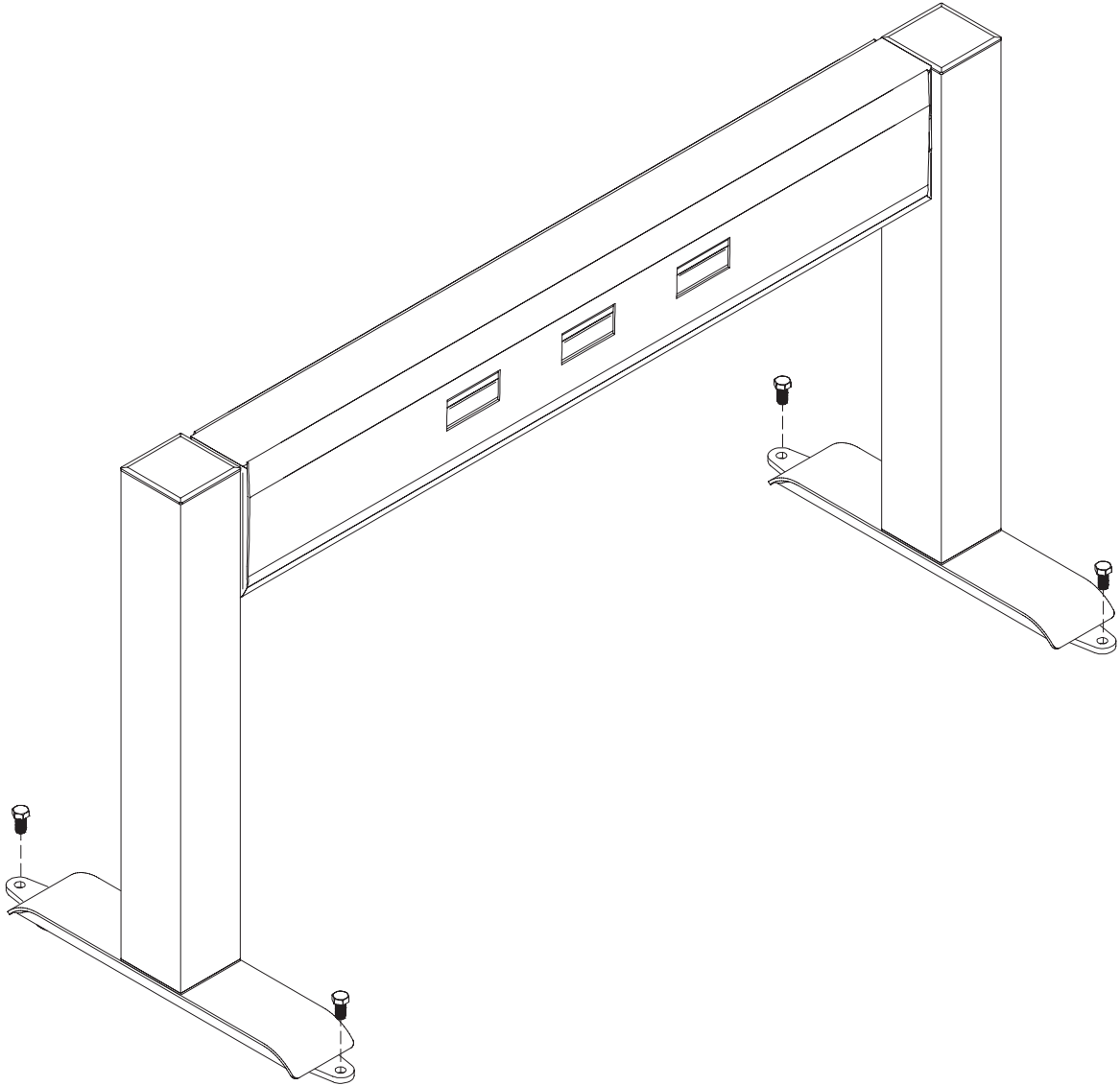
(click or scan QR codes below)



Concrete Structure
Steel Stud Anchor for Concrete,
3/8" Diameter, min. 2-1/4" Long
or similar.

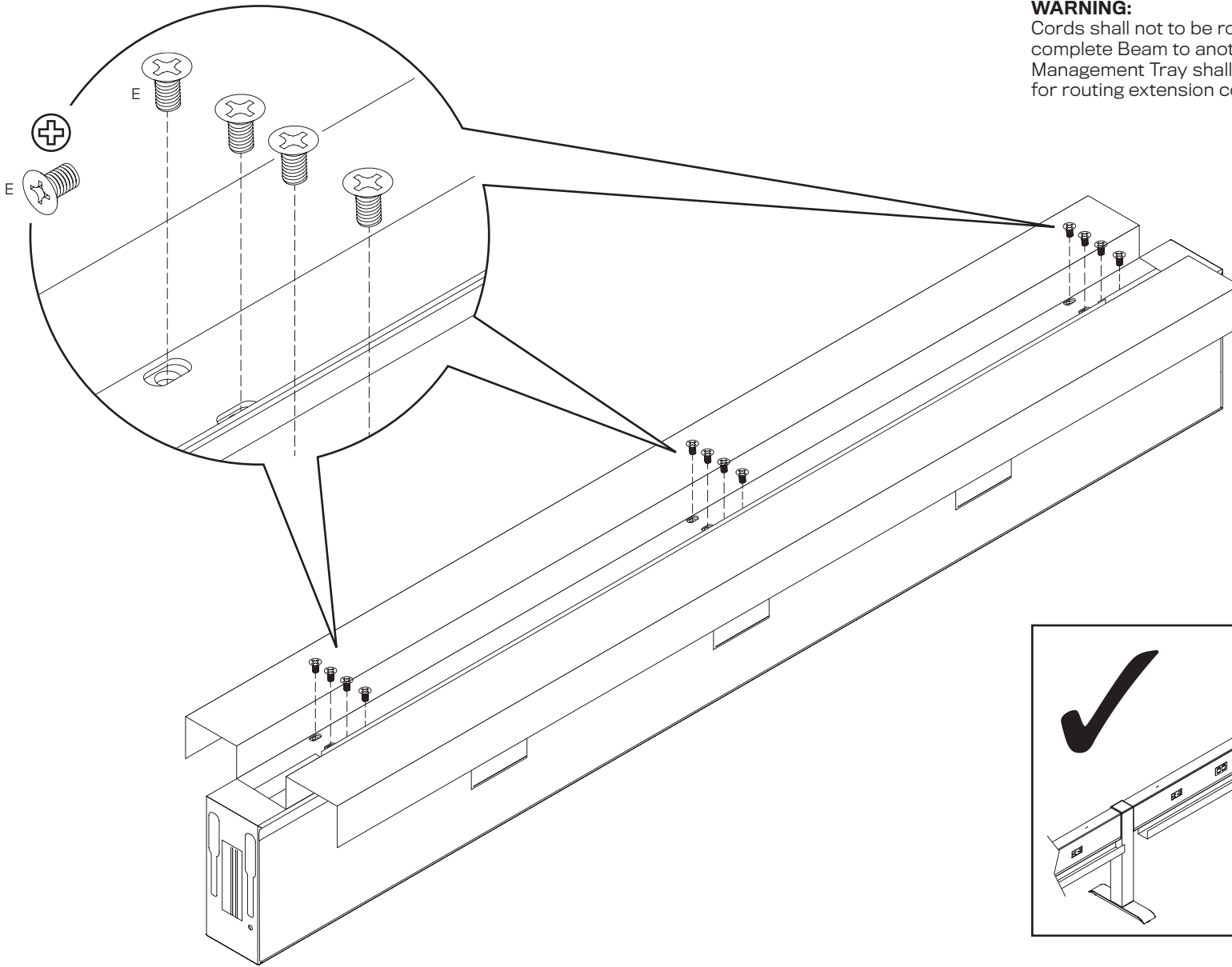


Wooden Structure
Hex Head Screw for Wood,
Zinc-Plated Steel,
3/8" Size, 2-1/2" Long with
3/8" Flat Washer or similar.



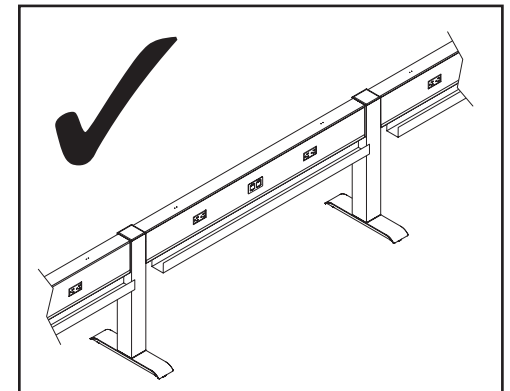
OPTIONAL CABLE MANAGEMENT TRAY*

15



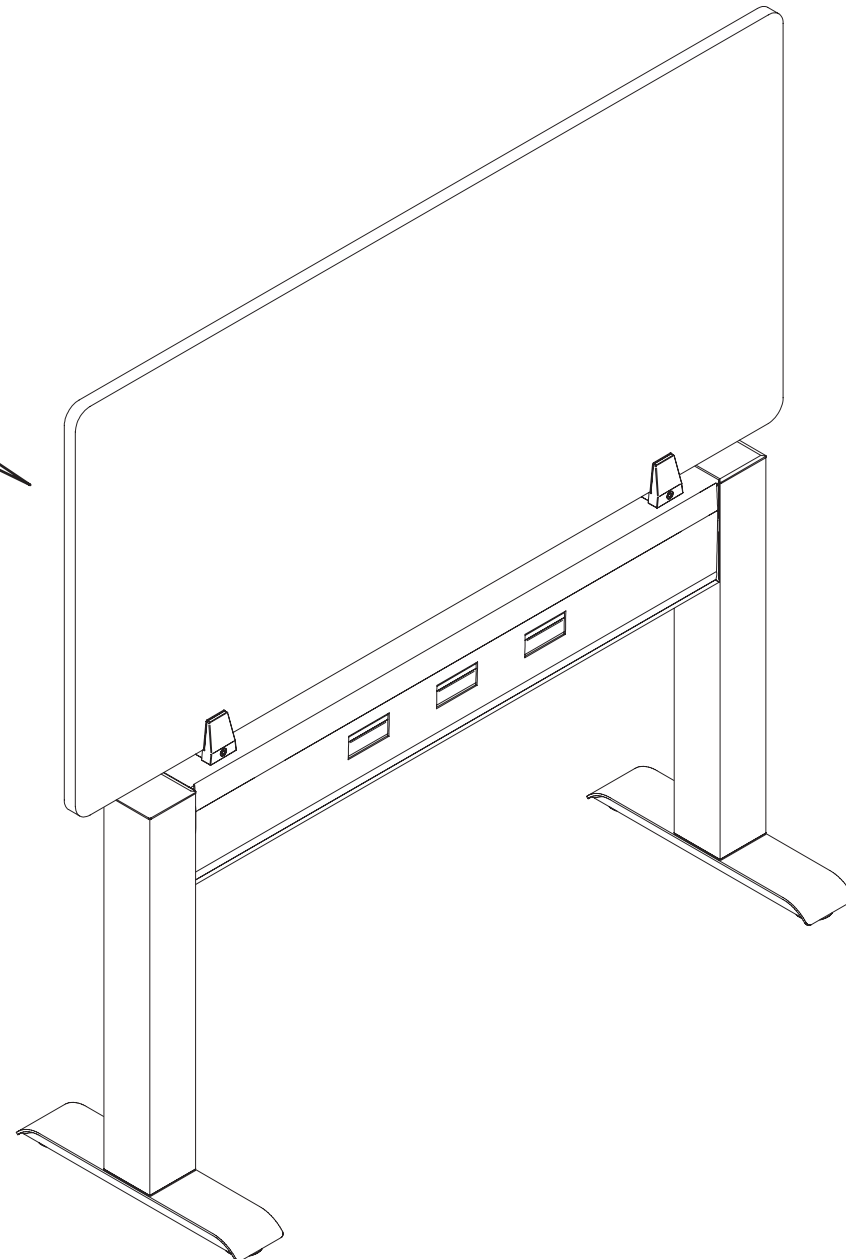
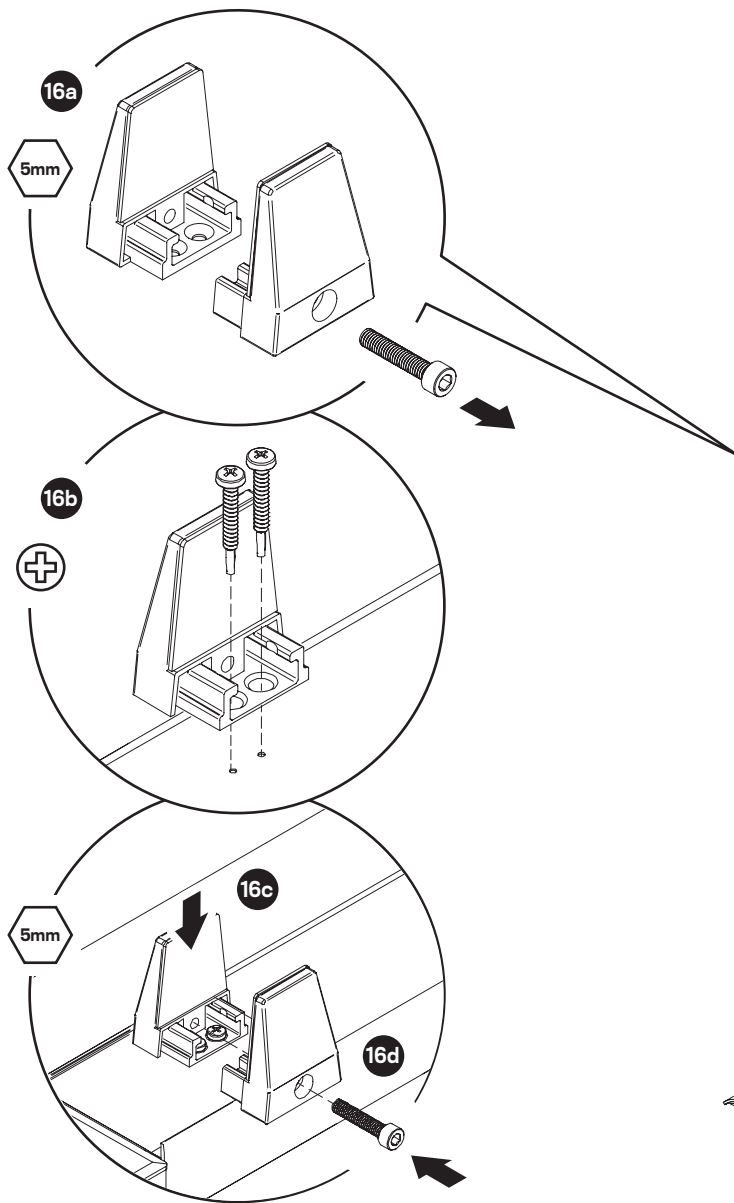
WARNING:

Cords shall not be routed across one complete Beam to another. The Cable Management Tray shall not be used for routing extension cords.

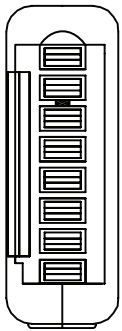


OPTIONAL BEAM MOUNTED DIVIDERS (PRIVACY PANELS)

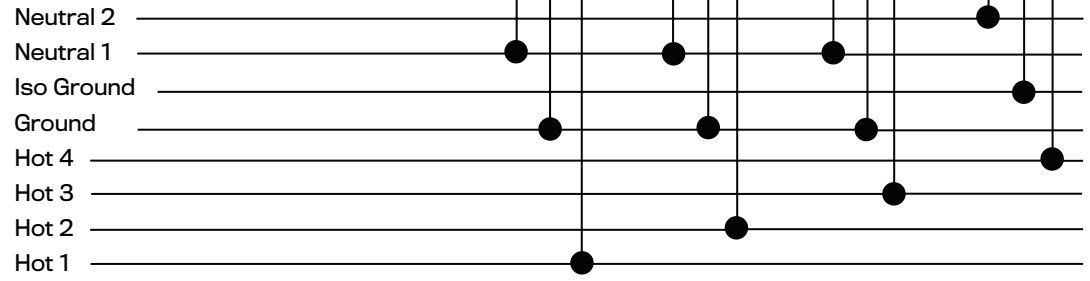
16



3+D WIRING DIAGRAM 208/120V

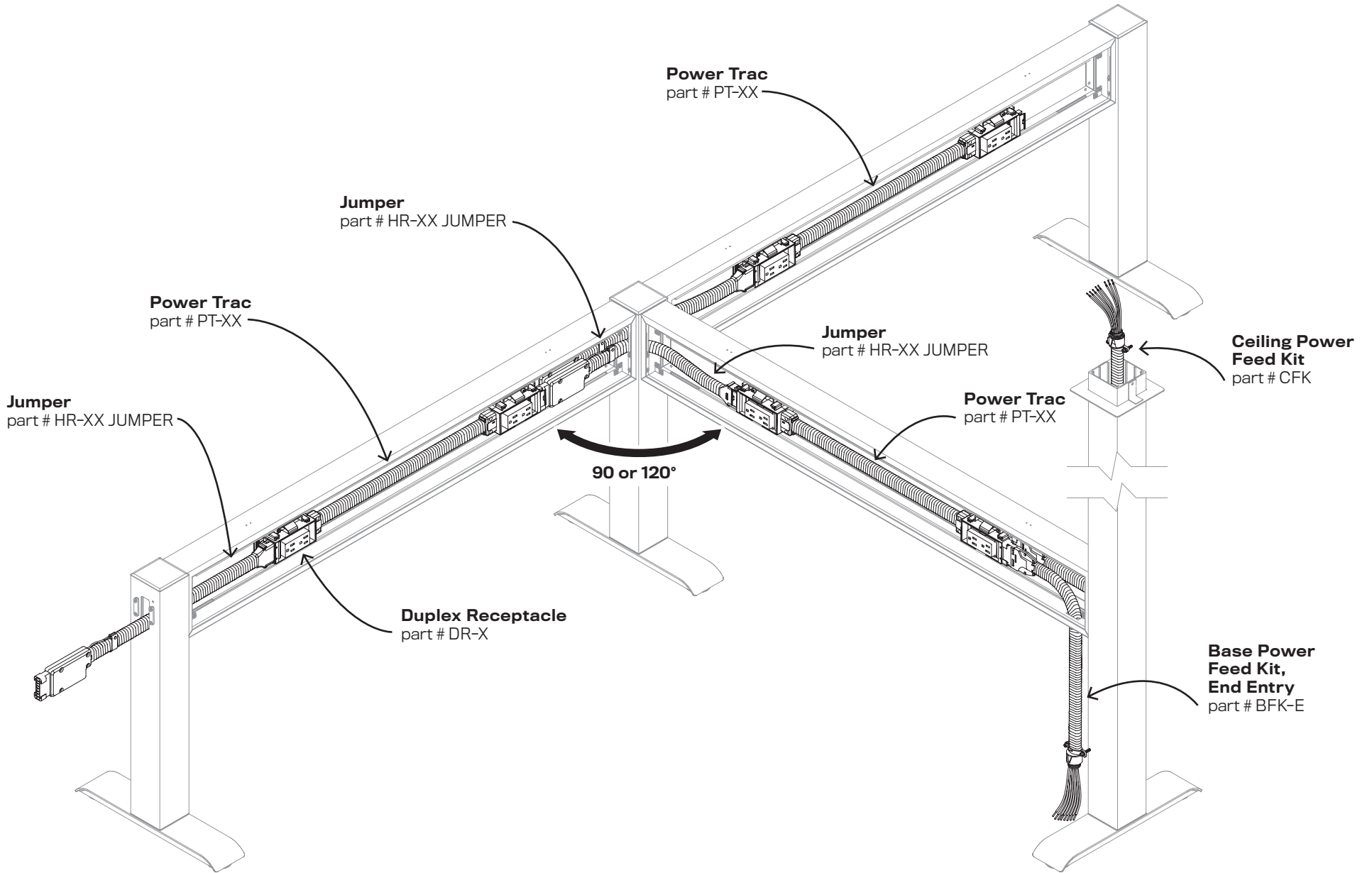


- Gray _____
- White _____
- Green/Yellow _____
- Green _____
- Pink _____
- Blue _____
- Red _____
- Black _____

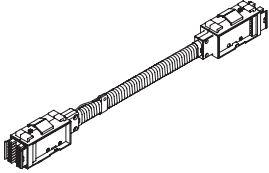
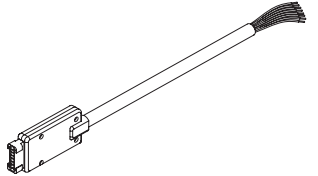
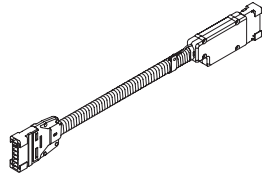
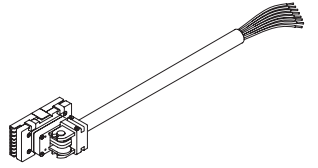
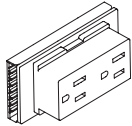
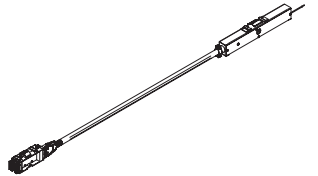
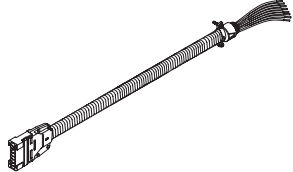
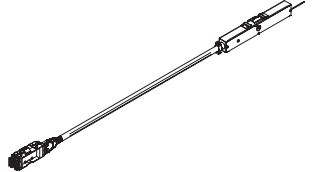


ELECTRICAL FEED THRU 90° OR 120° POST EXAMPLE

17



OPTIONAL ELECTRICAL COMPONENTS

DESCRIPTION	PART NUMBER		DESCRIPTION	PART NUMBER	
Power Trac XX = 36", 48", 60", 72"	PT-XX		End Entry Base Power Feed Kit Metallic Liquid Tight Infeed 72" Long	BFK-E-SF	
Jumper XX = 21", 23", 33"	HR-XX JUMPER		Side Entry Base Power Feed Kit 72" Long	BFK-S	
15 Amp Duplex Receptacle X = 1, 2, 3, 4 Circuit YY = BL, SI, WH Finish	DR-X YY		NY Infeed Kit, XX Long Beam, 72" Conduit Infeed XX= 48", 60", 72"	BFK-E-NY 72/XX	
Ceiling Power Feed Kit 144" Long	CFK		NY Infeed Kit, XX Long Beam, 18" Liquid Tight Infeed	BFK-E-NY 18/XX	
Base Power Feed Kit, End Entry 72" Long	BFK-E	