

IMPORTANT SAFETY INSTRUCTIONS

When using an electrical furnishing, basic precautions should always be followed, including the following:

**READ ALL INSTRUCTIONS BEFORE USING ELECTRIC HEIGHT ADJUSTABLE BASE
SAVE THESE INSTRUCTIONS**

⚠ DANGER

To reduce the risk of electric shock:

- Always unplug this furnishing from the electrical outlet before cleaning or servicing.

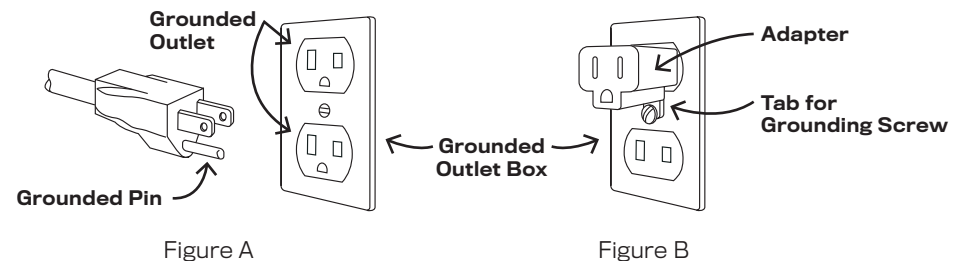
⚠ WARNING

To reduce the risk of burns, fire, electric shock, or injury to persons:

- Unplug from outlet before putting on or taking off parts.
- Close supervision is necessary when this furnishing is used by, or near children, invalids, or disabled persons.
- Use this furnishing only for its intended use as described in these instructions. Do not use attachments not recommended by the manufacturer.
- Never operate this furnishing if it has a damaged cord or plug, if it is not working properly, if it has been dropped or damaged, or dropped into water. Return the furnishing to a service center for examination and repair.
- Keep the cord away from heated surfaces.
- Never operate the furnishing with the air openings blocked. Keep the air openings free of lint, hair, and the like.
- Never drop or insert any object into any opening.
- Do not use outdoors.
- Do not operate where aerosol (spray) products are being used or where oxygen is being administered.
- To disconnect, turn all controls to the off position, then remove plug from outlet.
- **WARNING** – Risk of Electric Shock – Connect this furnishing to a properly grounded outlet only. See **Grounding Instructions**.
- **WARNING** – Risk of Fire and Shock – Use only SJ, SJT, SJE, SJEO, S, SO, SOW, SOO, SOOW, STO, STOW, STOO, STOOW, SEO or SEOW or equivalent type 16 AWG cord minimum.
- **WARNING** – Risk of Fire, Electric Shock, or Personal Injury – Read instructions to determine the appropriate size, shape, and weight of work surface and/or secondary surfaces (shelves) is used.
- **WARNING** – Risk of Electric Shock, Fire, and Injury – Review the assembly instructions to confirm that the appropriate critical components and accessories are being used with the furnishing.
- Maximum intended load is 250lbs (113kg), including the weight of the worksurface itself.
- This product is designed with Duty Cycle of 10% – 2 Minutes On / 18 Minutes Off.

GROUNDING INSTRUCTIONS

This product is for use on nominal 120-volt circuit and has a grounding plug that looks like the plug illustrated in Figure A. Make sure that the product is connected to an outlet having the same configuration as the plug. No adapter should be used with this product.



SPECIFICATIONS

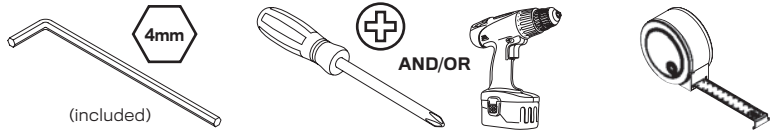
MODEL	BASE WEIGHT	HEIGHT RANGE	CLEARANCE UNDER BASE	WIDTH RANGE	LOAD RATING W/WORKSURFACE	MAX SPEED
HAT2-HI-S-XX	70 lbs.	23.75"- 49"	20"	24"-41"	250 lbs.	1.5" per second
HAT2-HI-L-XX	74 lbs.	23.75"- 49"	20"	42"-74"	250 lbs.	1.5" per second
HAT2-MID-S-XX	64 lbs.	27.25"- 46.75"	23"	24"-41"	250 lbs.	1.2" per second
HAT2-MID-L-XX	68 lbs.	27.25"- 46.75"	23"	42"-74"	250 lbs.	1.2" per second

Note: The 250 lbs load rating includes the weight of the worksurface itself.

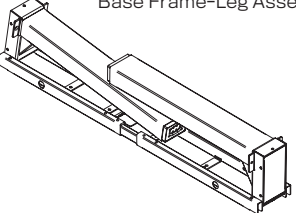
Duty Cycle - 2 Minutes On / 18 Minutes Off

Power Rating: 120VAC, 60Hz, 4A

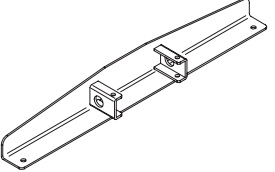
Tools Required



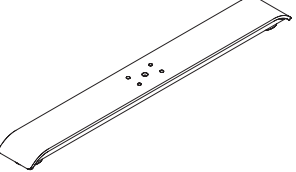
A Base Frame-Leg Assembly 1x



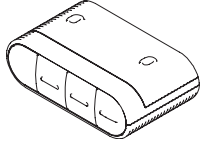
B Side Bracket Weldment 2x



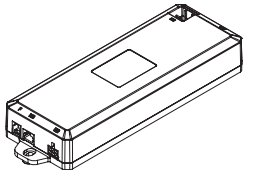
C Foot 2x



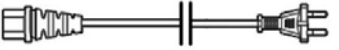
D Programmable Handset 1x




E Control Box 1x



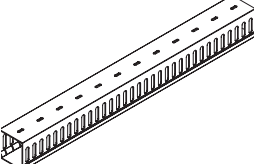
F Power Cord 1x




G Cable 1.3m 1x



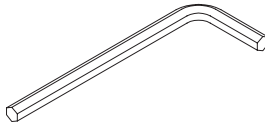
H Wire Manager 1x



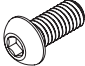
I Cable Clip 2x



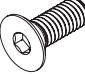
J 4mm Allen Wrench 1x




K M6 x 16mm Button Head Socket Cap Screw 8x




L M6 x 14mm Flat Head Socket Cap Screw 4x



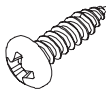
M M5 x 20mm Phillips Pan Head Wood Screw 8x



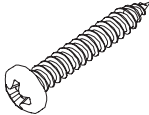
N M5 x 16mm Phillips Pan Head Screw 4x



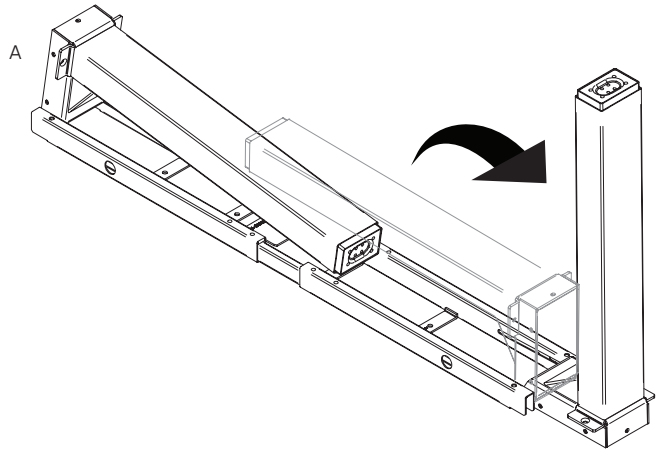
O M4.2 x 16mm Phillips Pan Head Screw 2x



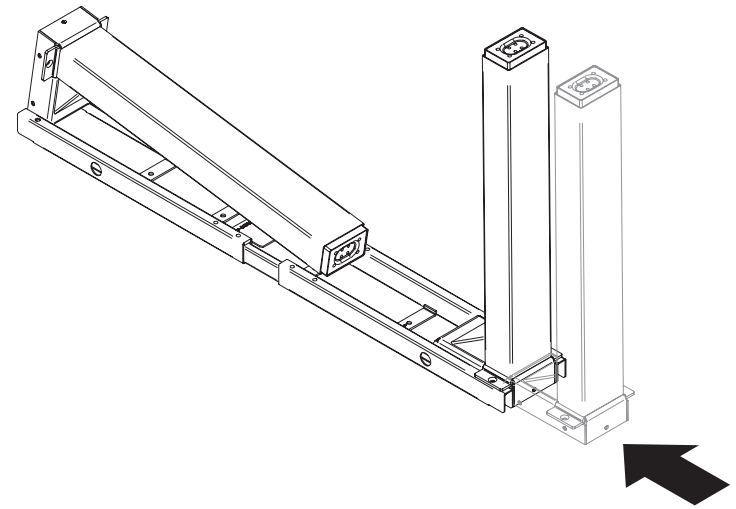
P M3.9 x 30mm Phillips Pan Head Screw 2x



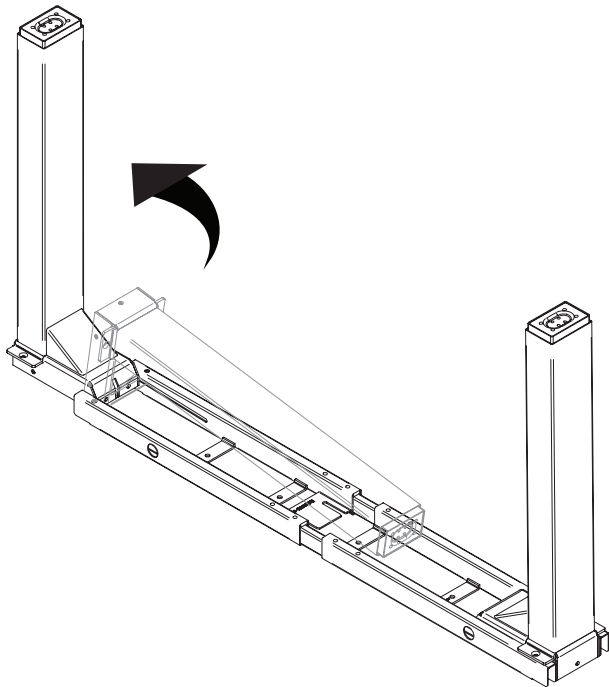
1a



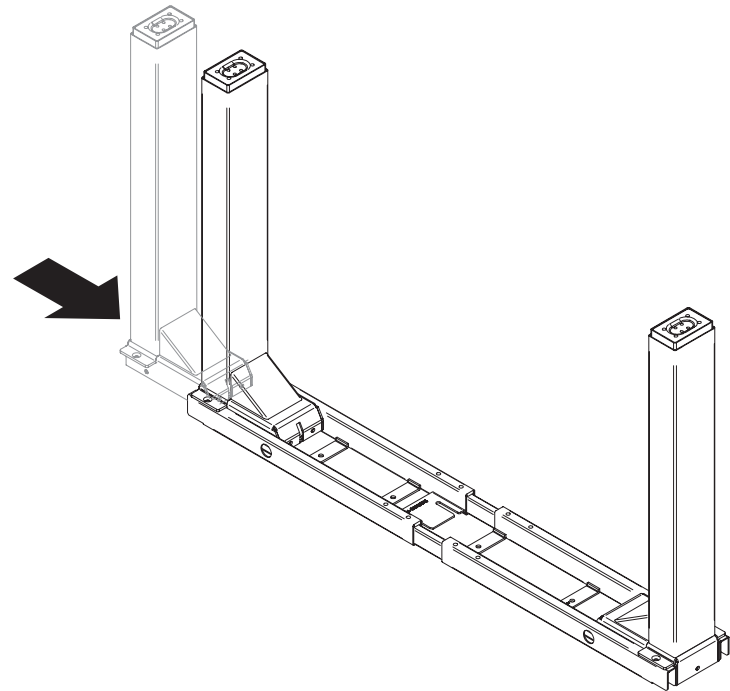
1b

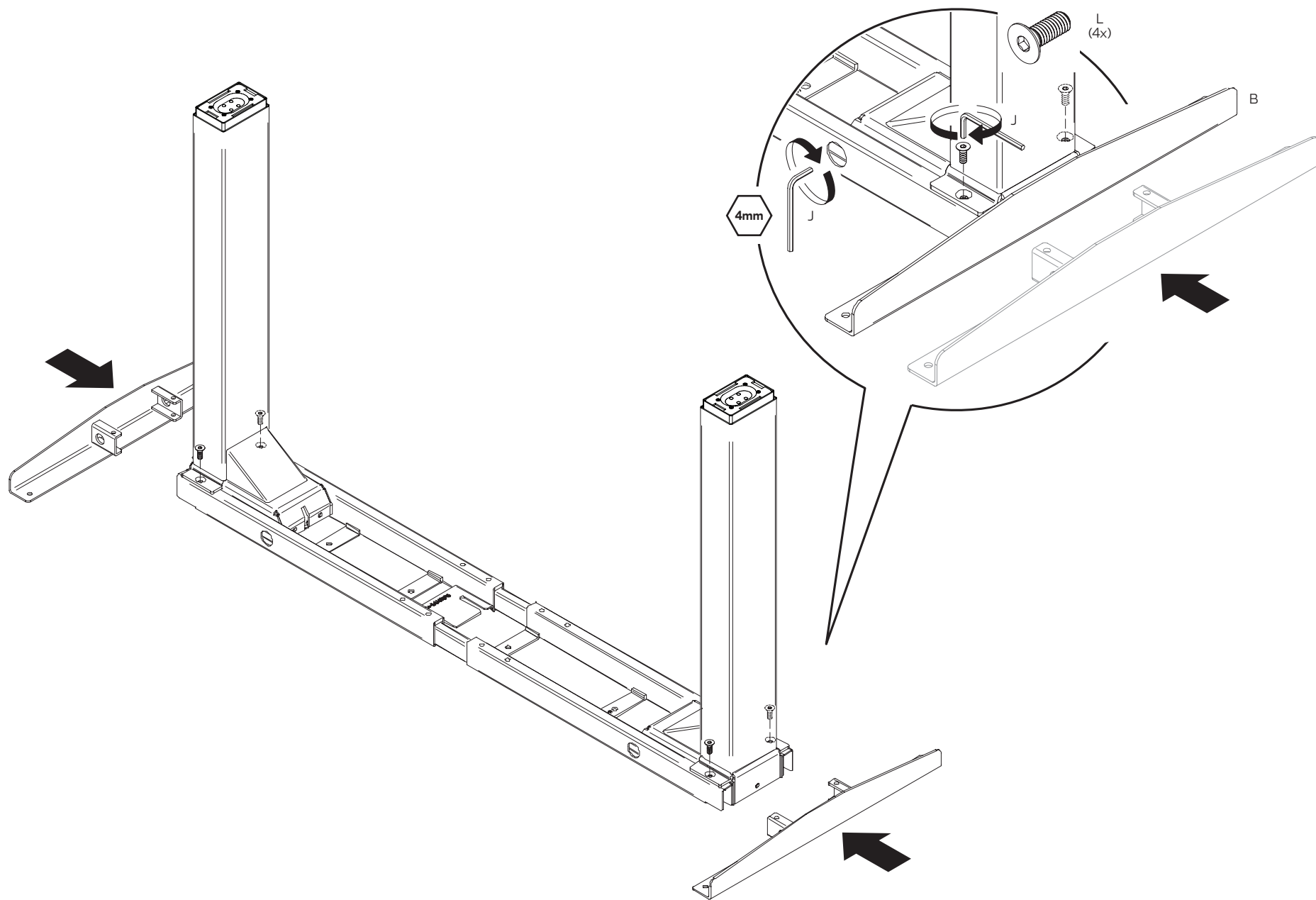


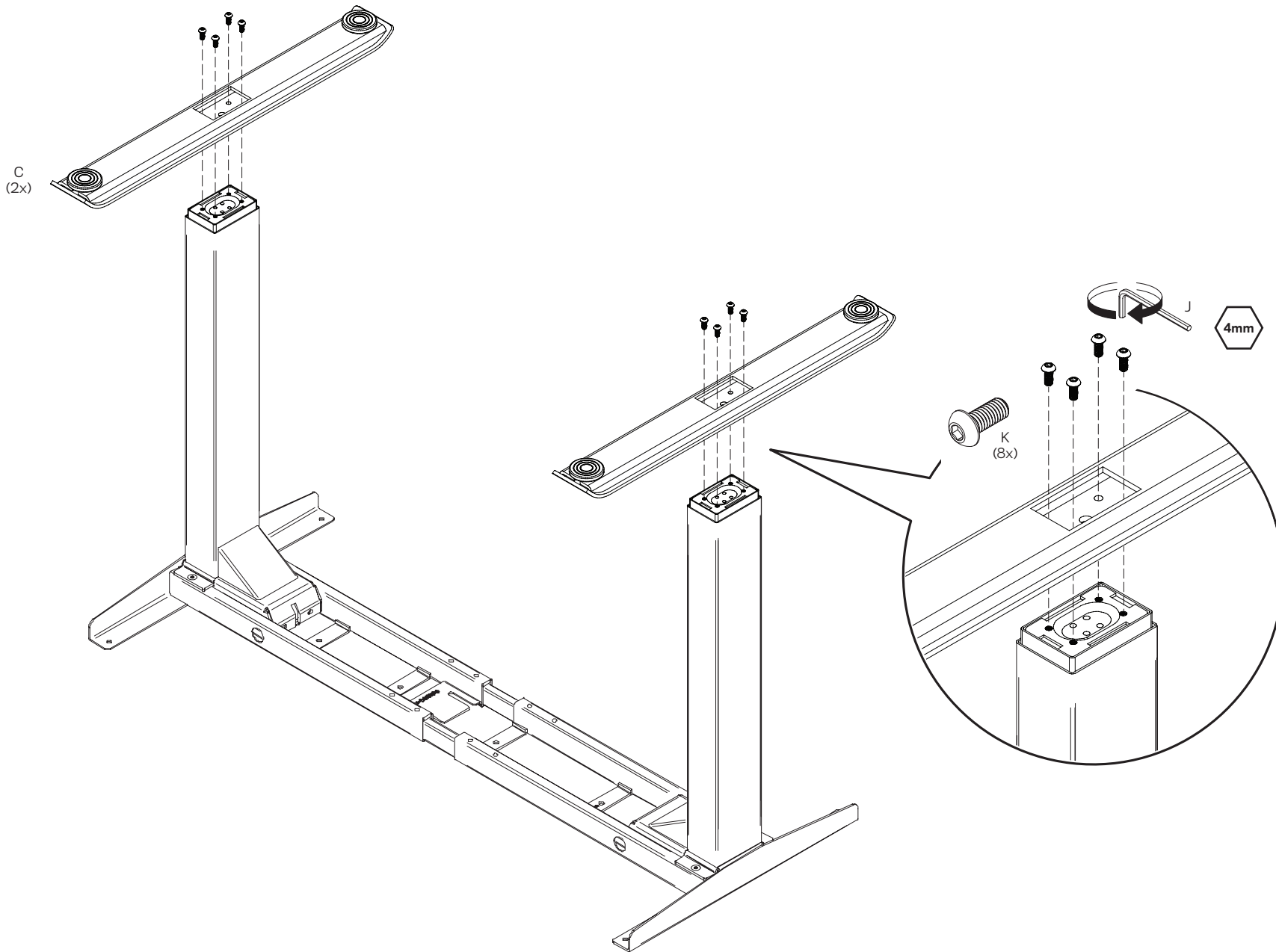
1c



1d



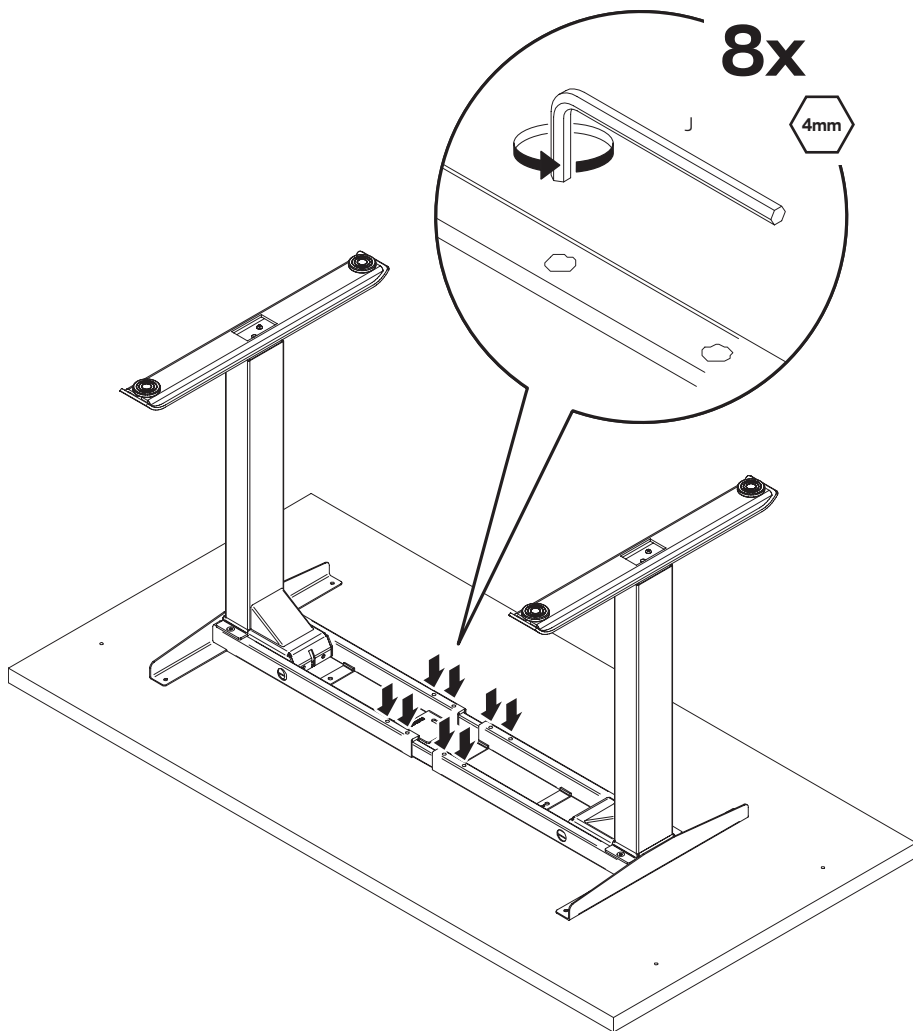




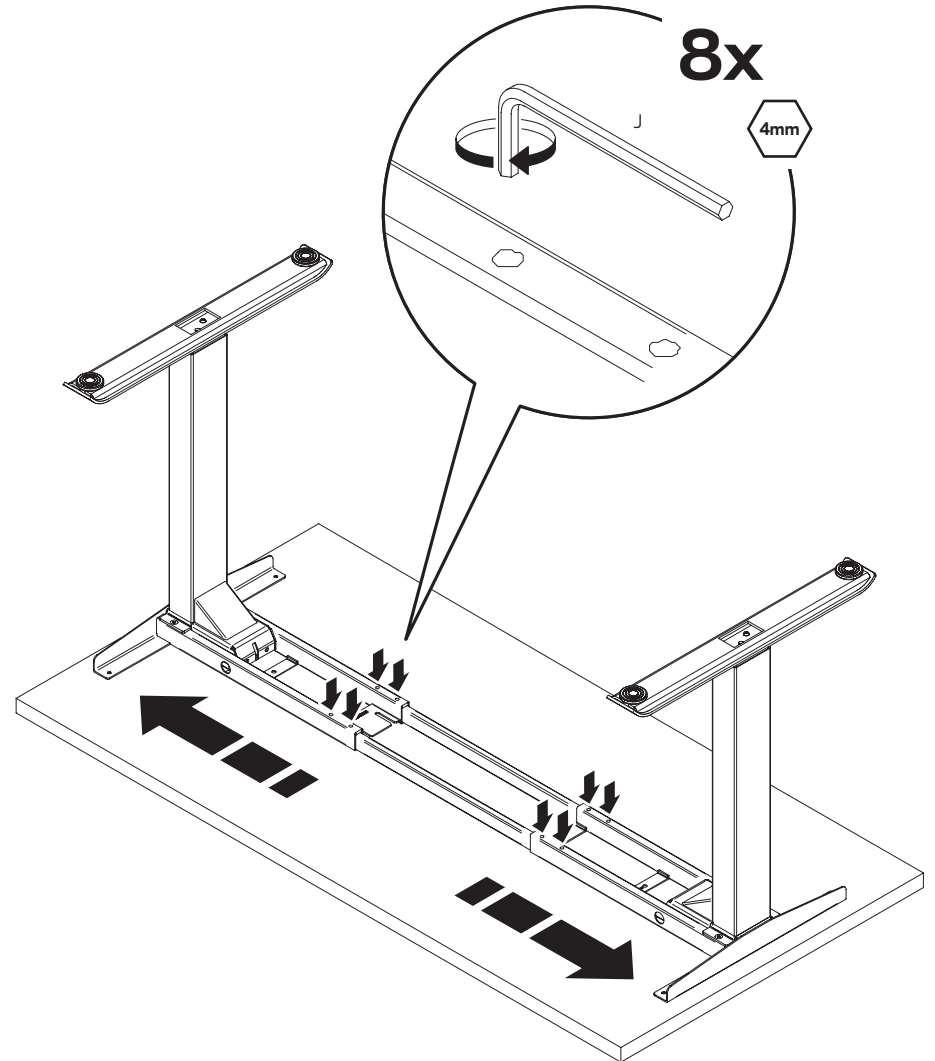
4

See **Worksurface Mounting Guidelines** section (pages 19-22) for proper worksurface positioning.

Note: Center Rails must be removed if 24" wide worksurface will be installed.

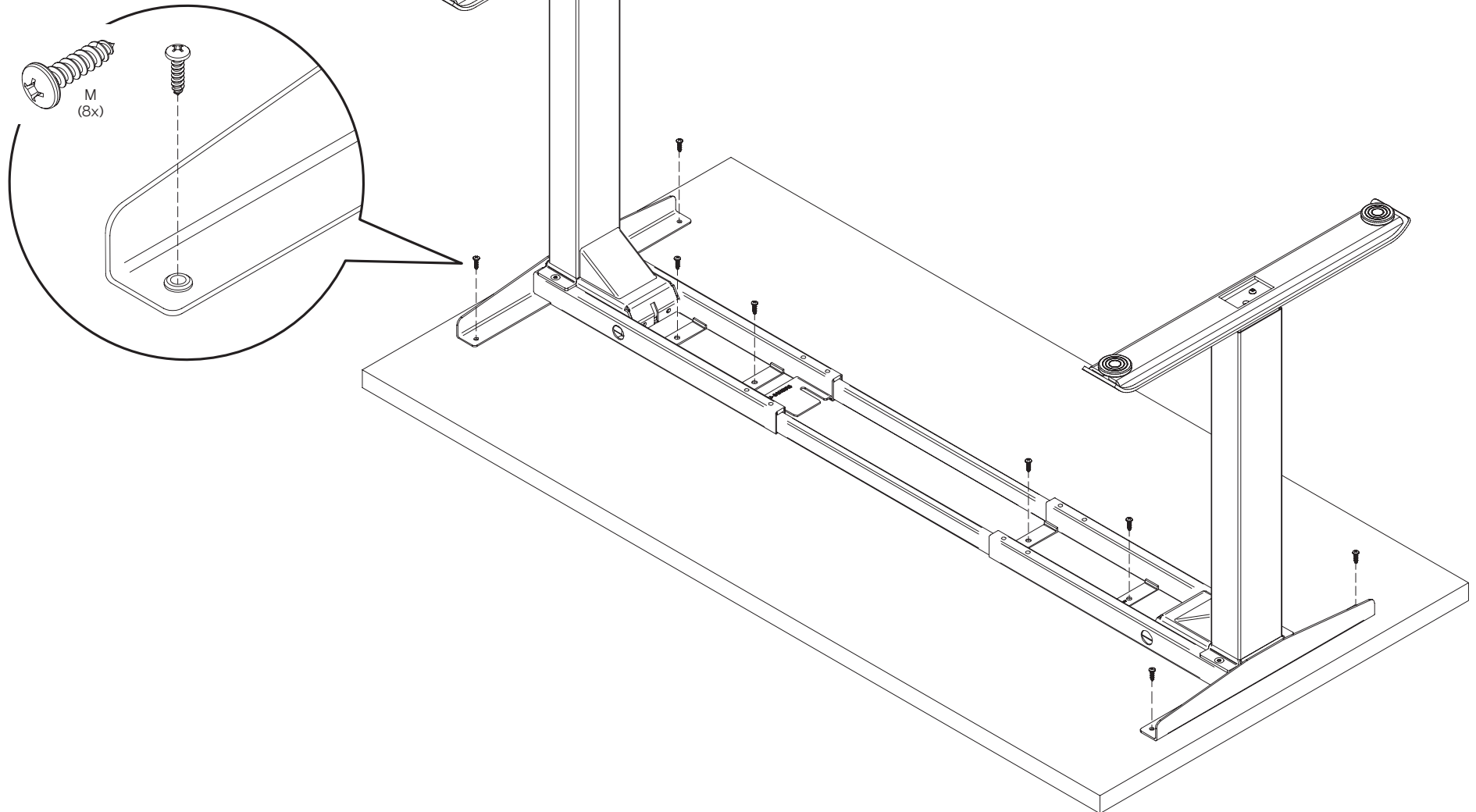


5



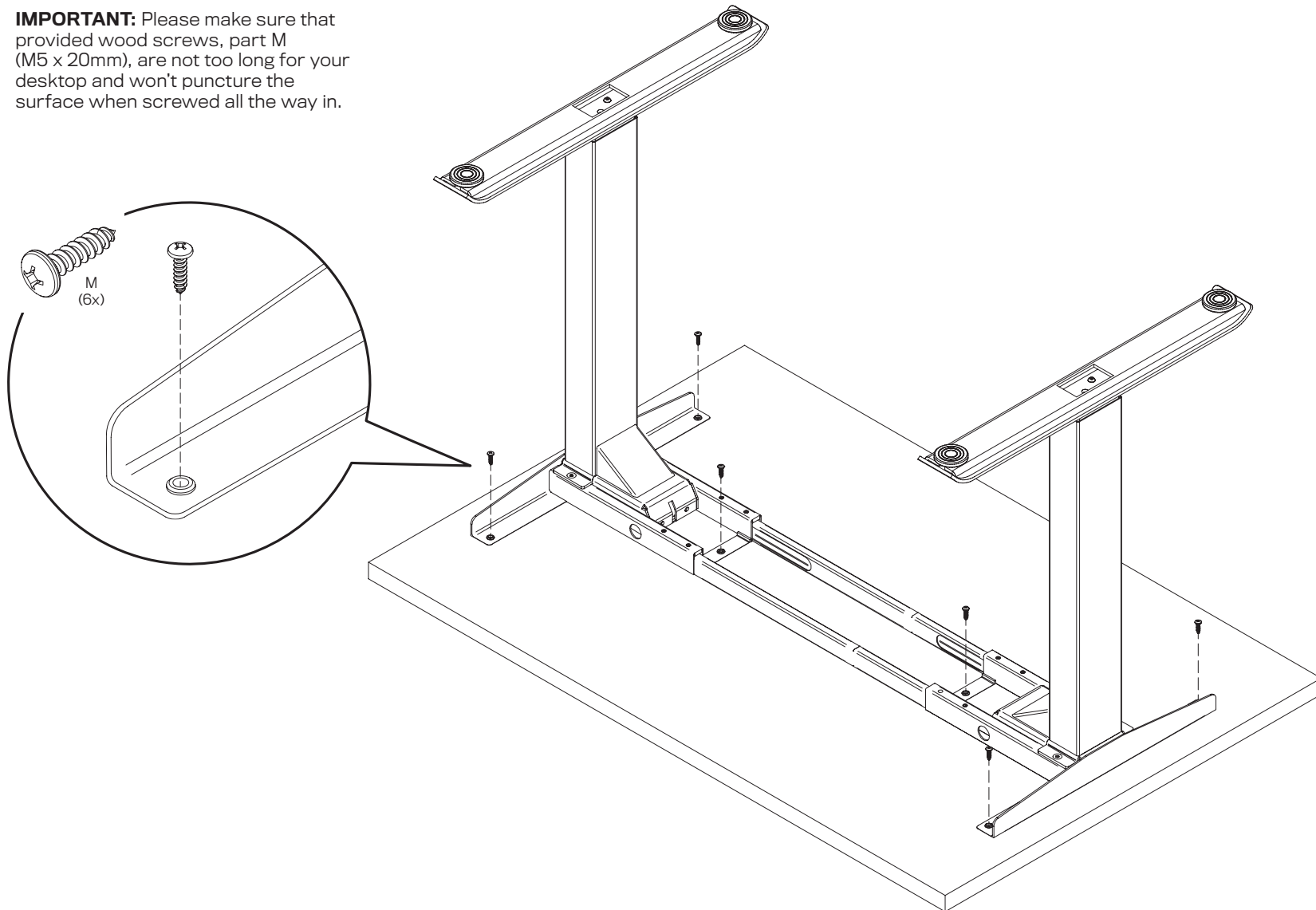
6a

IMPORTANT: Please make sure that provided wood screws, part M (M5 x 20mm), are not too long for your desktop and won't puncture the surface when screwed all the way in.

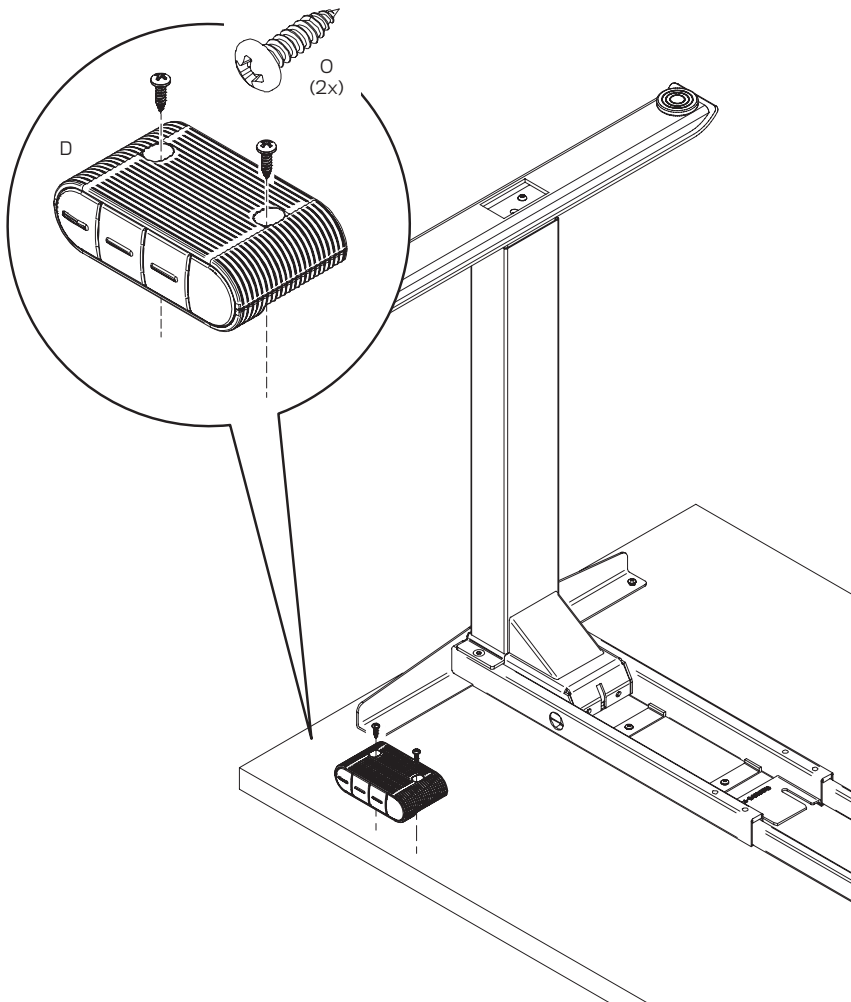
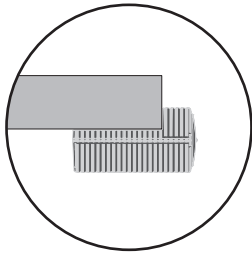


6b

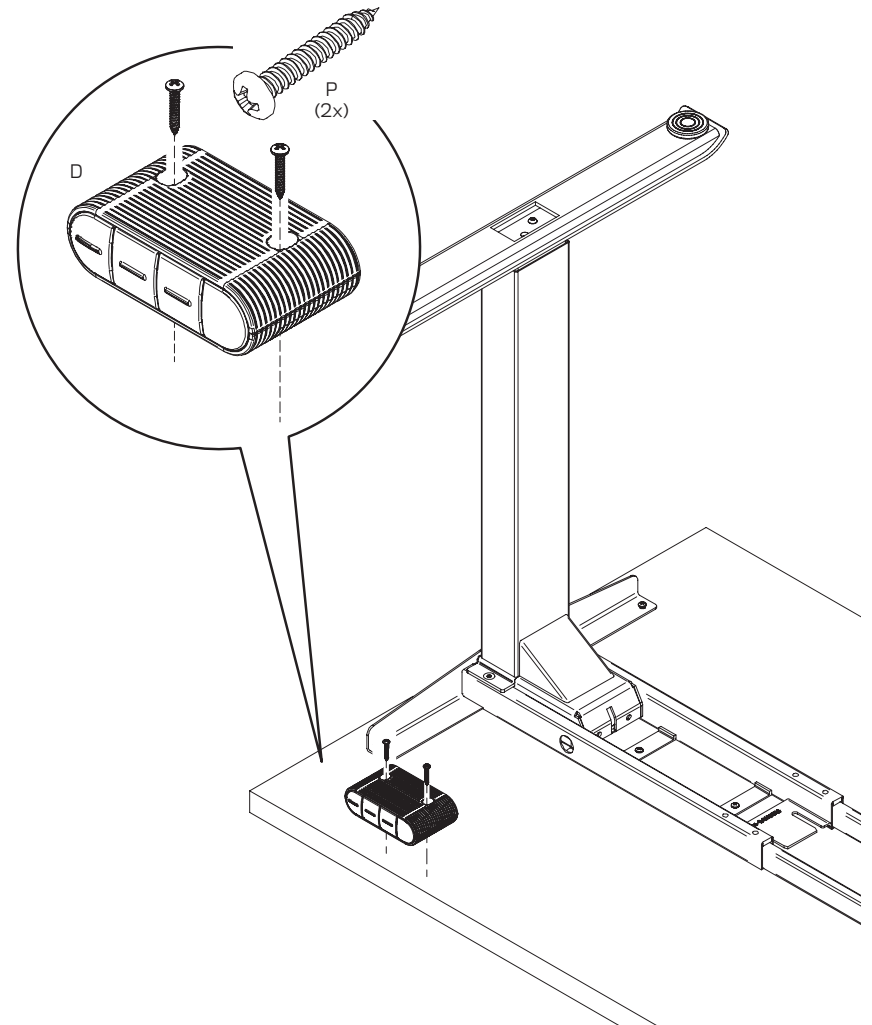
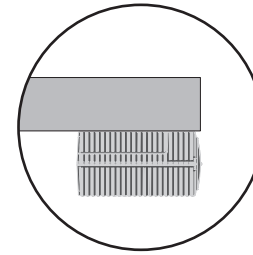
IMPORTANT: Please make sure that provided wood screws, part M (M5 x 20mm), are not too long for your desktop and won't puncture the surface when screwed all the way in.



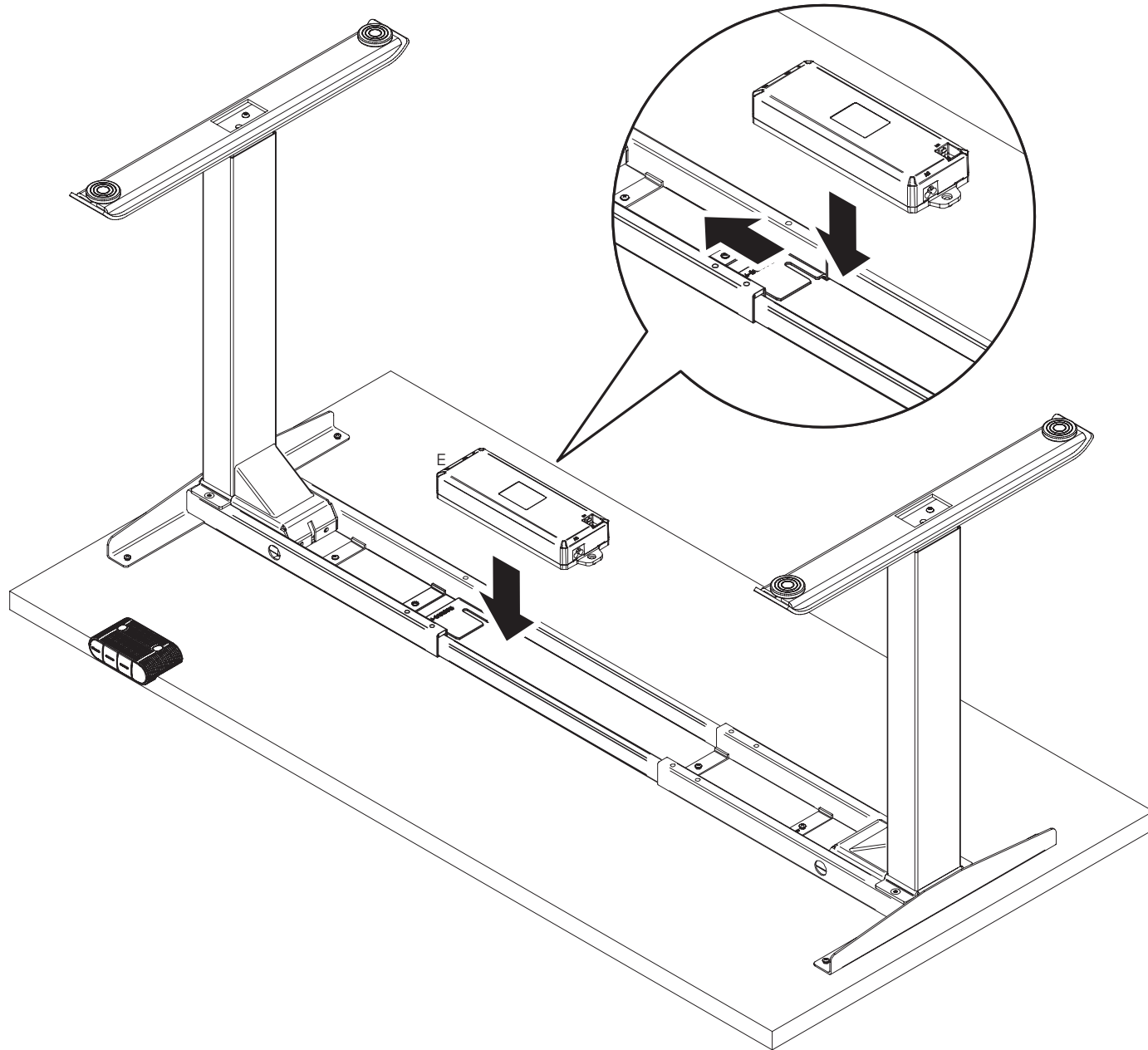
7



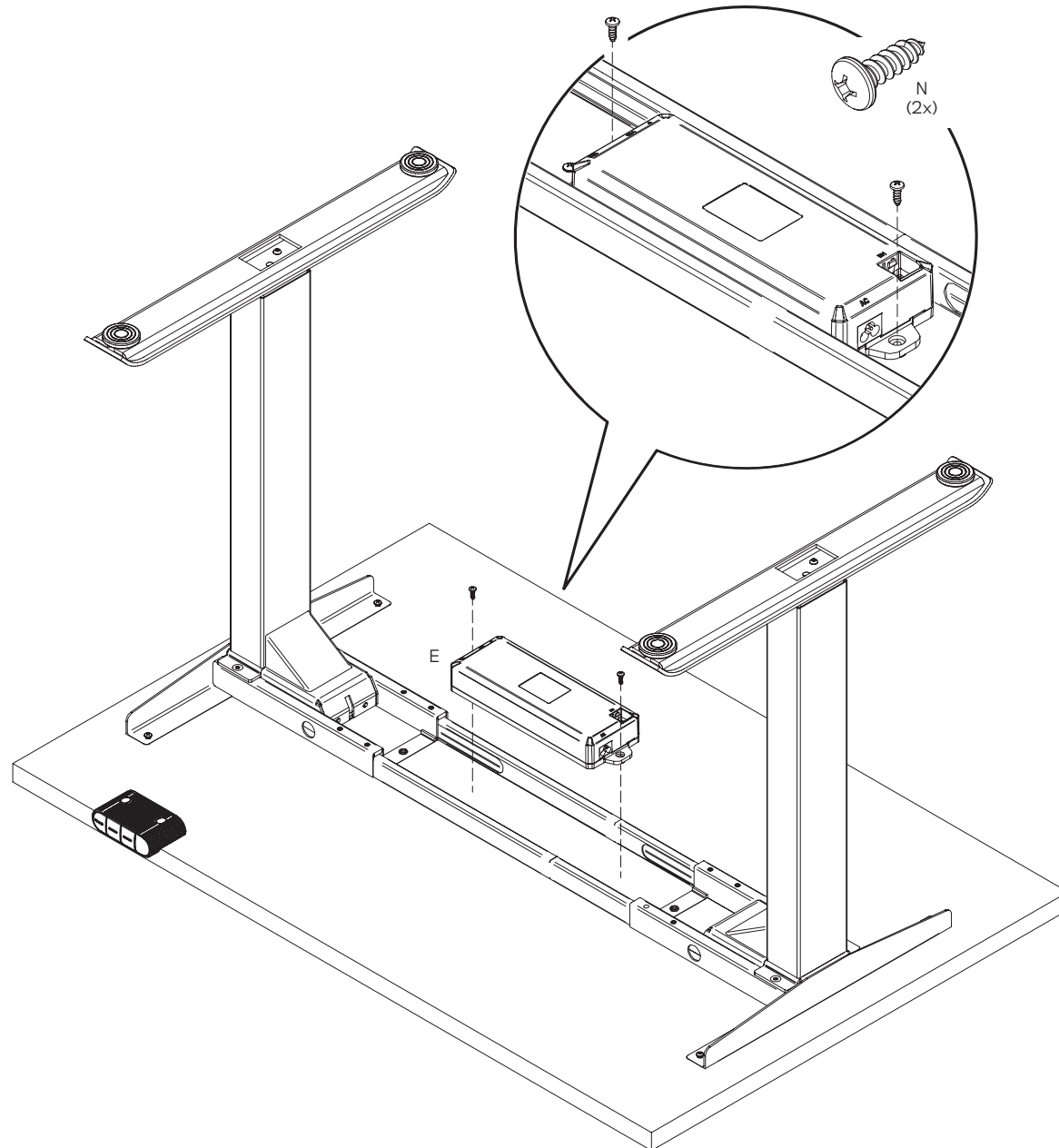
OR

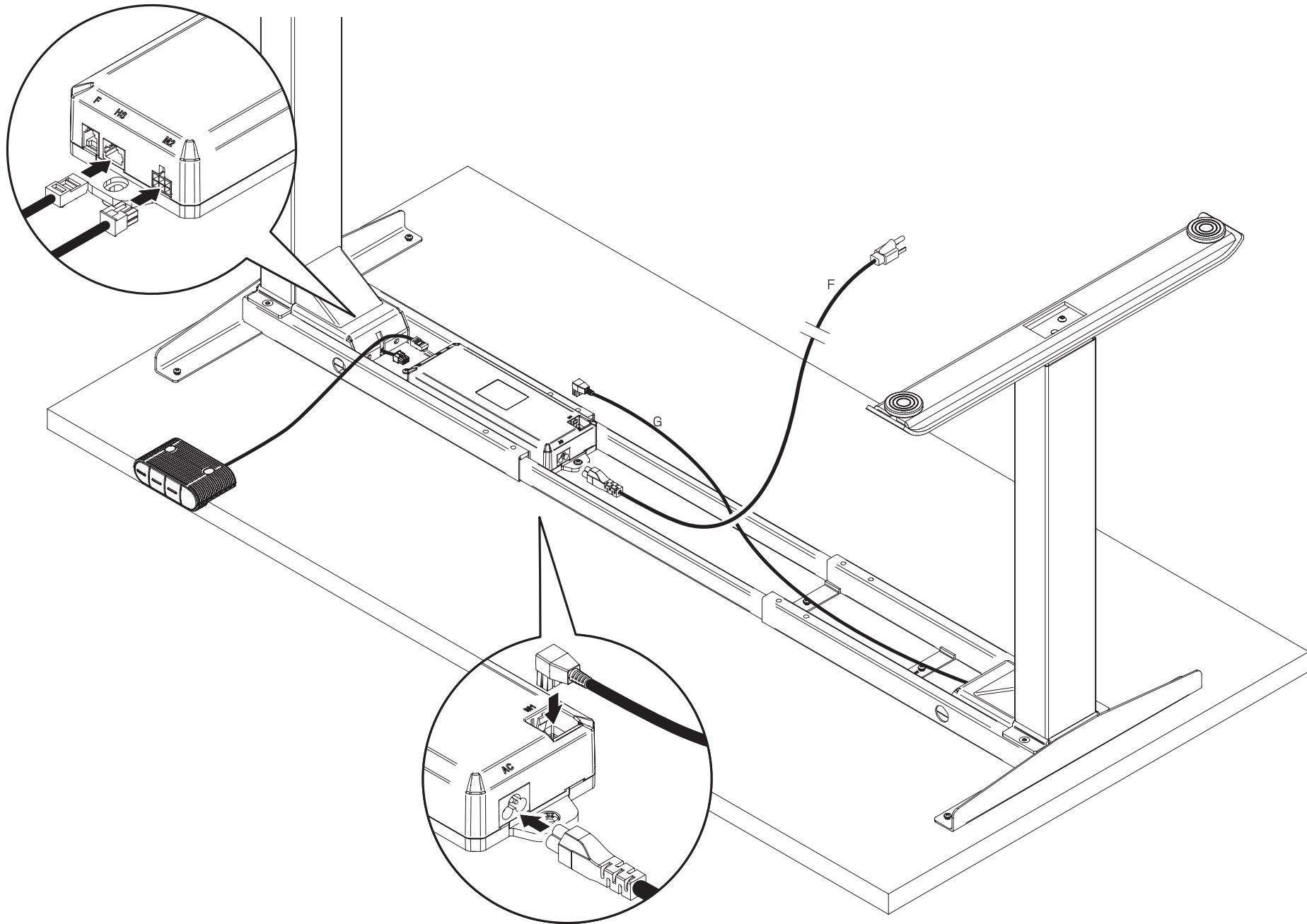


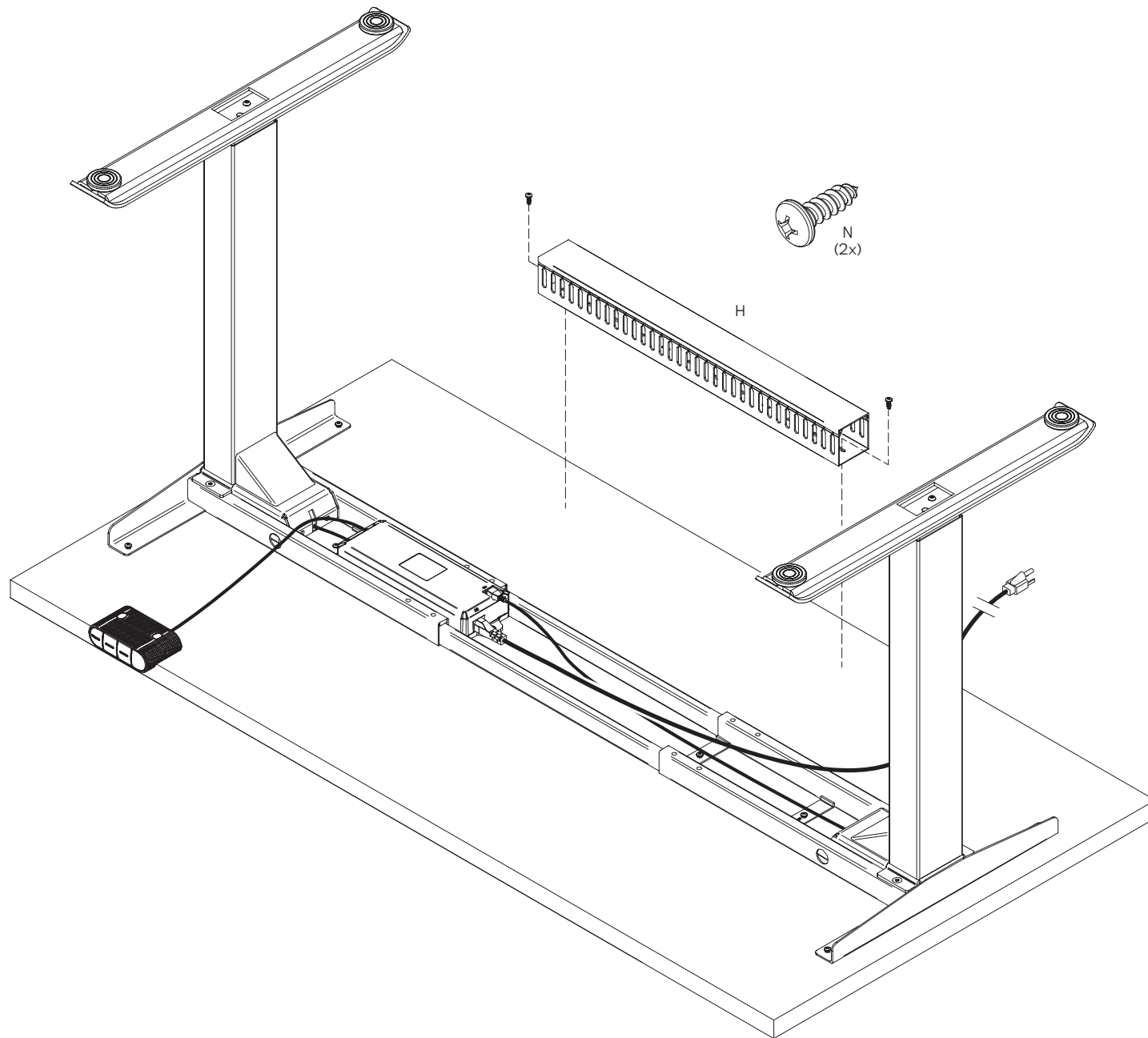
8a



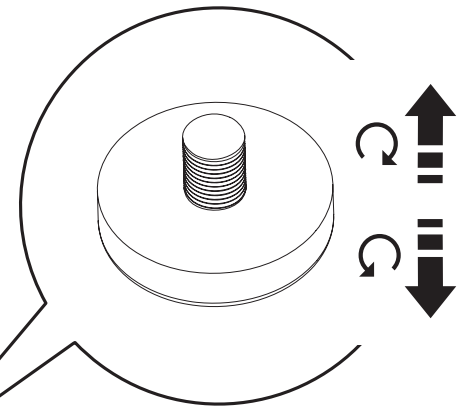
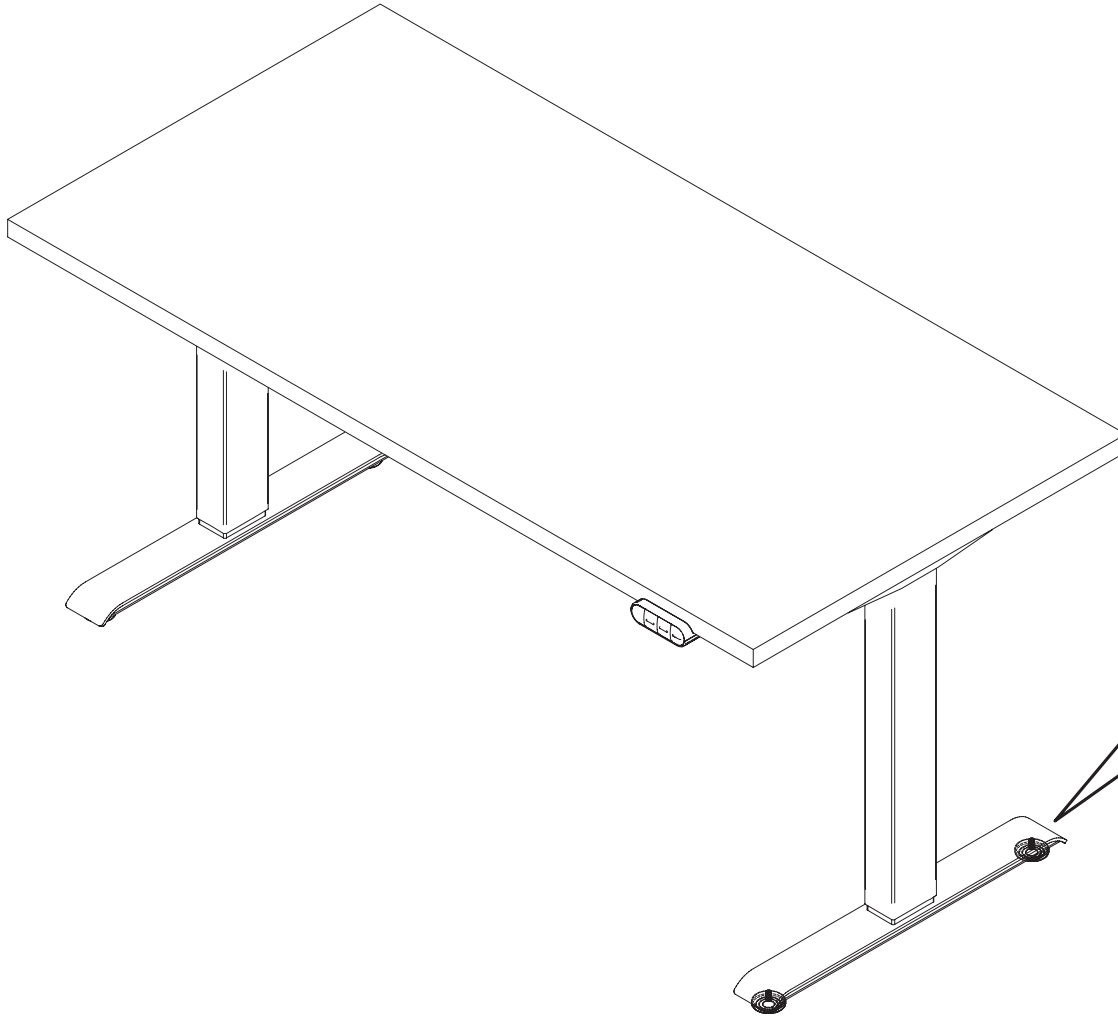
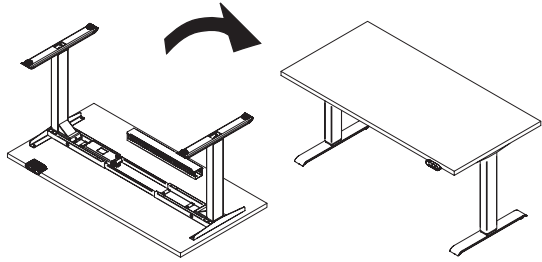
8b







11



USE

IMPORTANT: You must RESET the desk prior to use.



CAUTION

Make sure no obstacles are in the desk's path. Make sure the desktop is not touching any walls. Make sure all cords are appropriate length to accommodate the change in height. Make sure the control box is properly installed and not hanging loose.

Reset Procedure:

1. Press and hold the DOWN button on the Handset (part D) until the desk reaches its lowest height. Release the DOWN button.
2. Press and hold the DOWN button again until the LED display reads "RST". Release the DOWN button.
3. Press and hold the DOWN button again until the desk lowers a little bit more, slightly rises and stops. Release the DOWN button.

Your desk is now ready to use.

The desk base can be adjusted by pressing and holding either the UP or DOWN button until the desired height is reached.

To program up to three presets: Use the up/down buttons to find a desired height, then press "M" followed by a number 1 - 3.



CAUTION

Once a preset button is held, the desk will move to and auto stop at the programmed height (see caution box above).



CAUTION

If a different control box is placed on a desk with partially extended legs, you must RESET prior to moving UP.

PROGRAMMING

Press the DOWN button on the Handset until the base reaches its lowest position. Press and hold the DOWN button again until the LED display reads "RST".

Press and hold the 1 button (about 5 seconds) while the LED flashes "RST" and then switches to either:



10.1 = One-Touch

10.2 = Constant-Touch

Release the 1 button. Press the 1 button again until the desired setting is reached. Once the chosen setting is displayed, release the button and wait about 5 seconds for the display to return to "RST".

Finish the reset process by pressing and holding the DOWN button until the desk lowers a little bit more, slightly rises and stops. Release the button. The new program setting is saved and your desk is now ready to use.

SETTING THE LED RETRACTED HEIGHT

Press the DOWN button on the Handset until the base reaches its lowest position. Measure the distance from floor to the top surface of the desktop. If the number on the LED display does NOT match your measurement, follow these steps:

Press and hold the DOWN button until the LED display reads "RST".



Press and hold the "M" button (about 5 seconds) until the LED displays the flashing height. (If the display returns to "RST" before the next step is taken, repeat this step.) Use the UP /DOWN buttons to change the value of the starting height so that it matches your measurement. Wait about 5 seconds and the display will return to "RST."

Finish the reset process by pressing and holding the DOWN button again until the desk lowers a little bit more, slightly rises and stops. Release the button. The new starting height value is saved and your desk is now ready to use.

Note: the LED display has a ± 0.1 tolerance.

SETTING THE UPPER & LOWER LIMITS

This base is designed to go to its minimum and maximum heights, allowing for the widest possible range. If you prefer to change the settings to a more narrow range, follow these steps:

Make sure the power is ON and a number reads in the LED display (if no number appears, please follow the Reset procedure described in the USE section).

To Set the Upper-Limit Position:

Use the UP /DOWN buttons to move the base to the desired maximum-height position. Press the "M" button and release. Press the UP button and release. The LED display will flash "S -". Press and hold the "M" button (about 2 seconds) until the LED display changes to "999". The display will automatically return to the selected height. The new upper limit is now set.

To Set the Lower-Limit Position:

Use the UP /DOWN buttons to move the base to the desired minimum-height position. Press the "M" button and release. Press the DOWN button and release. The LED display will flash "S -". Press and hold the "M" button (about 2 seconds) until the LED display changes to "000". The display will automatically return to the selected height. The new lower limit is now set.

To Remove the Upper/Lower Limit Positions:

Press and hold the "M" button until the LED display flashes "S -" and then release it. Within 5 seconds, press the "M" button again and hold for 2 seconds. The LED display will change to "555" and then automatically return to the height display. The upper and lower limits are now removed.



CAUTION

A RESET procedure requires the desk base to full retract (beyond any lower limit set).

Please ensure that you have the proper clearance below the desk base.

continued on page 18

After the upper and lower limits are set, the previous memory positions (1, 2, 3) may be outside the new range of movement. If so, simply reset the memory positions.

If you attempt to revise a previously set upper or lower limit and it is outside of the existing range, you will need to remove the previously set upper/lower limits first.

HANDSET LOCK

To lock the handset:

Press and hold the "M" button (about 8 seconds) until the LED display switches to "S -" and then to "LOC". Release the button.

To unlock the handset:

Press and hold the "M" button (about 8 seconds) until the LED switches from "LOC" to the height display. Release the button.

CHANGING INCHES TO CENTIMETERS

Press the DOWN button on the Handset until the base reaches its lowest position. Press and hold the DOWN button again until the LED display reads "RST".



Press and hold the 2 button (about 5 seconds) while the LED flashes "RST" and then switches to either:
10.3 = cm
10.4 = inches

Release the 2 button. Press and hold the 2 button again until the desired setting is reached. Once the chosen setting is displayed, release the button and wait about 5 seconds for the display to return to "RST".

Finish the reset process by pressing and holding the DOWN button until the desk lowers a little bit more, slightly rises and stops. Release the button. The new measurement setting is saved and your desk is now ready to use.

CHANGING ANTI-COLLISION SENSITIVITY

Press the DOWN button on the Handset until the base reaches its lowest position. Press and hold the DOWN button again until the LED display reads "RST".



Press and hold the UP button (about 5 seconds) while the LED flashes "RST" and then switches to either:
10.5 = 22 lbs. (10 kg) pressure (most sensitive)
10.6 = 33 lbs. (15 kg) pressure (middle sensitive)
10.7 = 44 lbs. (20 kg) pressure (least sensitive)

Release the UP button. Press and hold the UP button again until the desired setting is reached. Once the chosen setting is displayed, release the button and wait about 5 seconds for the display to return to "RST".

Finish the reset process by pressing and holding the DOWN button until the desk lowers a little bit more, slightly rises and stops. Release the button. The new anti-collision sensitivity setting is saved and your desk is now ready to use.

TROUBLE SHOOTING

If your desk is not functioning properly it may need to be reset. Follow the RESET procedure outlined in the USE section.

If the LED readout displays an error message ("Er1" - "Er13") confirm that all wired connections are secure (legs to cables, cables to control box). Then perform the reset procedure outlined in the USE section.

If the error message persists after the reset procedure, contact HAT Collective at 800 524 2744 or via email at cs@hatcollective.com

If the height between the legs exceeds 1.5 inches, stop the reset procedure and contact HAT Collective.

If the handset displays "HOT", let the base cool down for 20 minutes.

WORKSURFACE MOUNTING GUIDELINES

Recommended Rectangular Worksurfaces

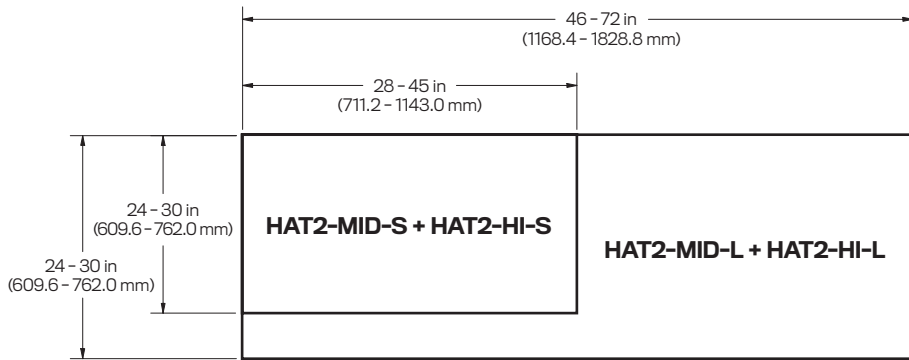


Figure 1

Recommended Angular Worksurfaces

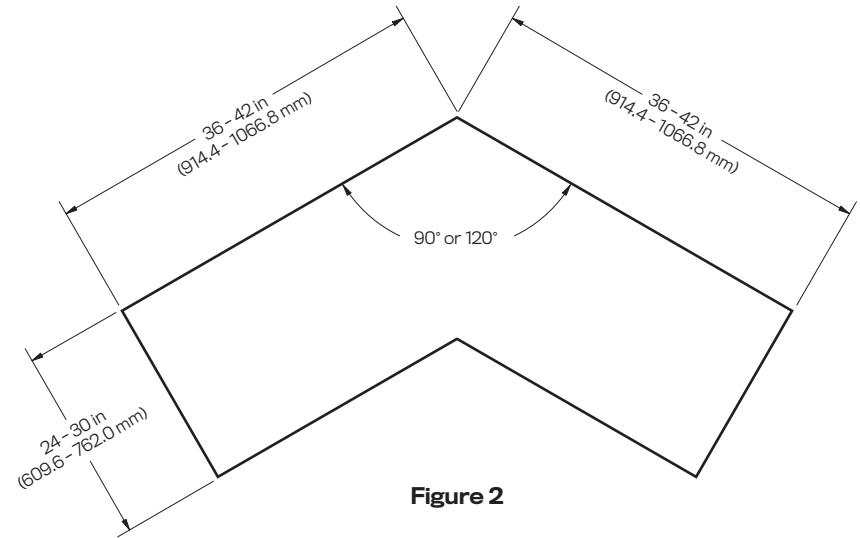


Figure 2

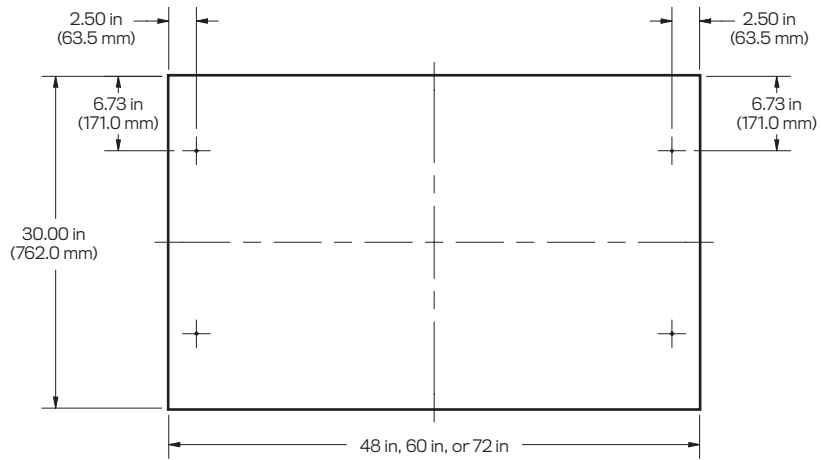
Recommended worksurfaces:

1-1/8" thick wood or laminate worksurface, various sizes, the largest being 72" long x 30" wide (see Fig. 1 and Fig. 2 for recommended sizes). Worksurfaces greater than 10 sq. ft. (0.93 sq. m.) shall be tested to ASTM E84/(UL 723) and have a flame rating of 200 or less and either smoke rating of 450 or less or be marked with the smoke rating.

WORKSURFACE MOUNTING GUIDELINES (CONTINUED)

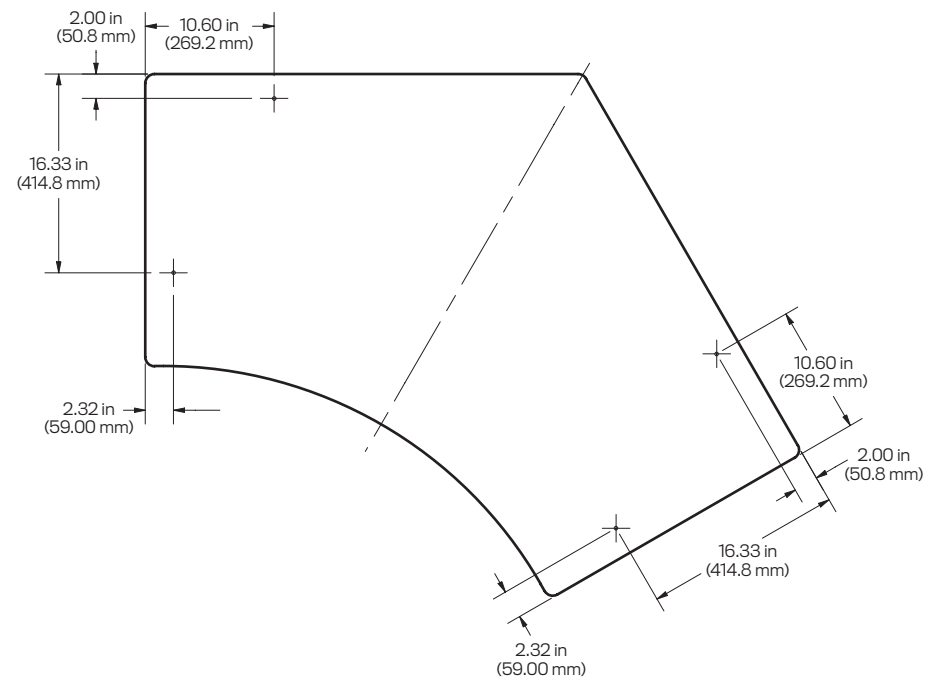
Rectangular:

48 in x 30 in, 60 x 30 in or 72 in x 30 in



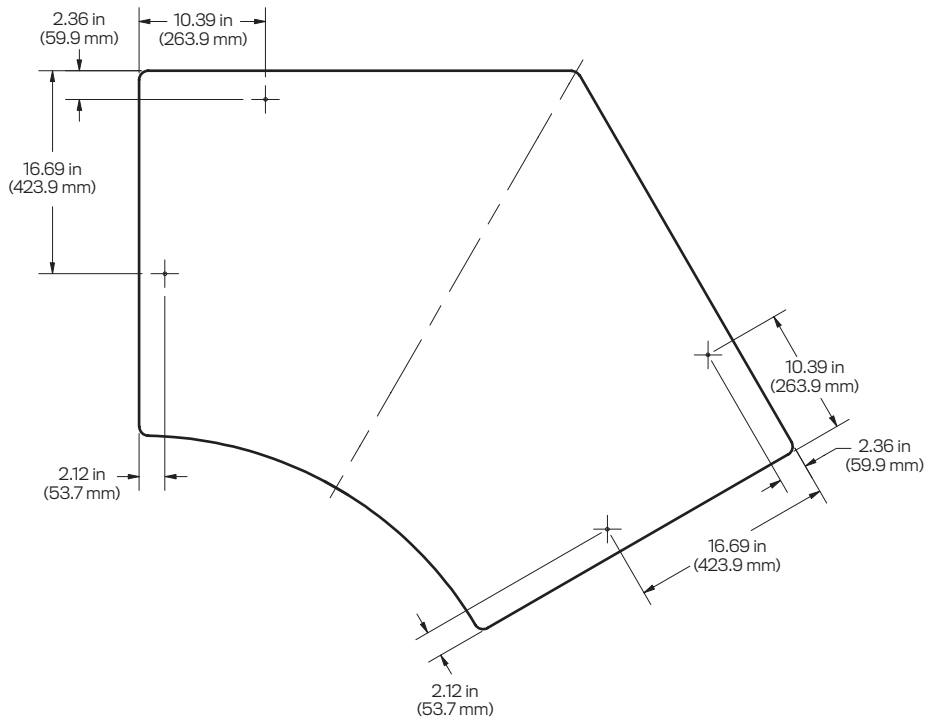
120°:

36 in x 24 in

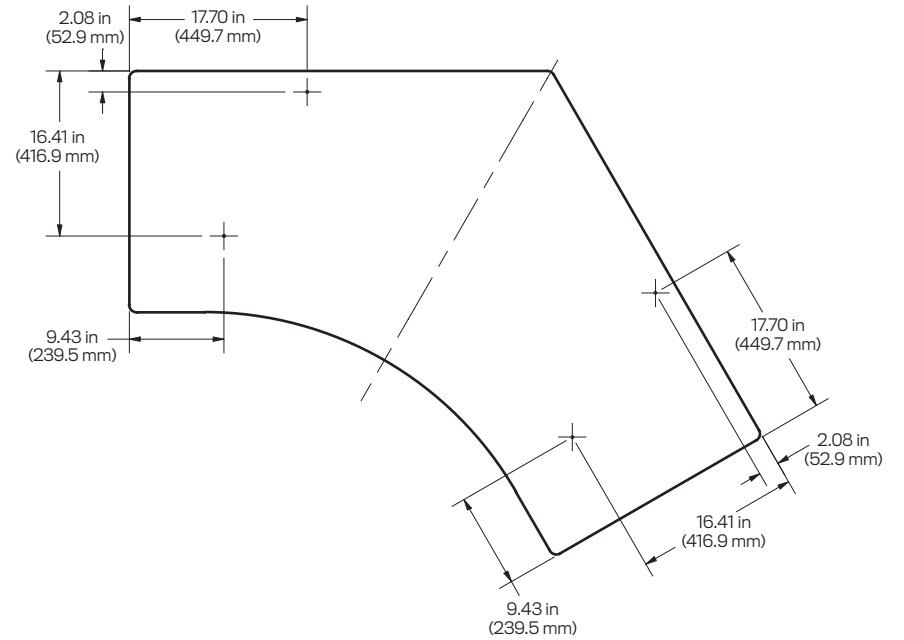


WORKSURFACE MOUNTING GUIDELINES (CONTINUED)

120°:
36 in x 30 in



120°:
42 in x 24 in



WORKSURFACE MOUNTING GUIDELINES
(CONTINUED)

120°
42 in x 30 in

