



HAT DESIGN WORKS™

HUMAN ACTIVE TECHNOLOGY

Adaptable.
Stable.
Enduring.

REDWOOD

Set up fast. Adapt endlessly.

The revolutionary clamp yoke at the heart of Redwood delivers quick, secure mounting anywhere along the pole—so you can reconfigure in seconds without tearing down what's already in place.



About Redwood Standard

Redwood Standard is a highly configurable mounting system engineered for demanding environments. A 45 lb load capacity, support for displays up to 49", integrated cable management, user-adjustable rotation stops, and a broad accessory ecosystem combine to deliver exceptional flexibility and durability without added footprint or complexity.

A CLAMP-ON YOKE

Streamlined setup, easy-to-use design. No disassembly required to add, move, or remove devices.

B ROTATING MOUNT

Ideal for add-on devices such as printer trays.

C MULTIPLE YOKE CONFIGURATIONS

Options include single yoke, dual yoke, or asymmetric dual yoke.

D ROTATION STOP

Adjustable rotation stops at each joint allow precise positioning in 30° increments.

E EXTENSION BAR

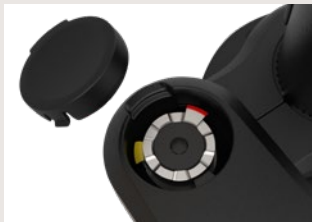
Mounts to any side of the VESA plate for flexible placement of devices next to any side of the screen.

F ACCESSORIES

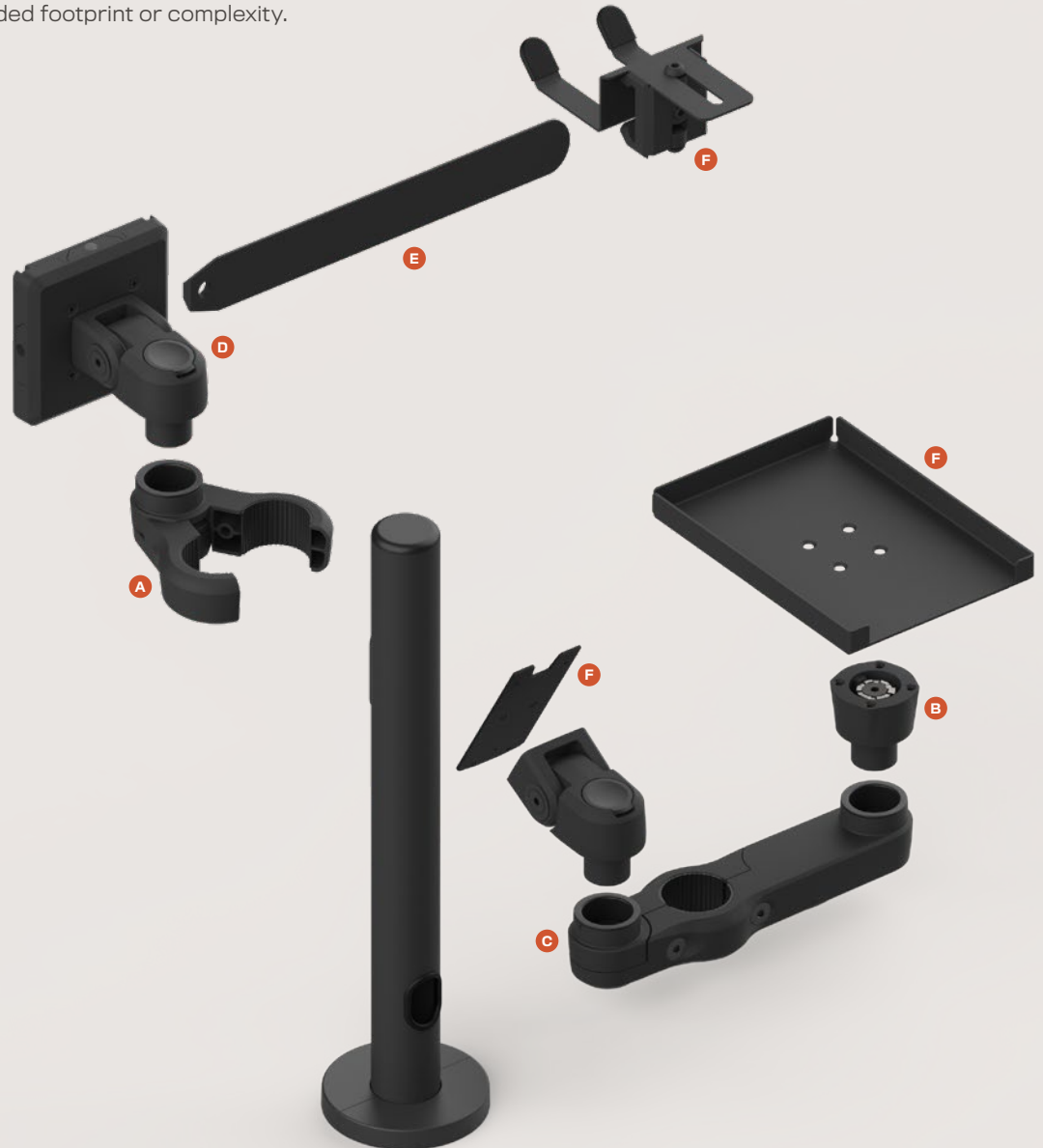
A robust accessory ecosystem includes support for barcode scanners, printers, payment terminals, bump bars, and more.

G WALL MOUNT

Ideal for KDS and other wall-mounted applications, the Redwood Articulating Wall Mount features a modular design and adjustable rotation stops.



Redwood joints have adjustable rotation stops and locks to fine-tune any solution.





1 Redwood Standard with printer tray and barcode scanner holder
2 Redwood Mini Compact Desktop Stand



1 Redwood Standard with printer tray and payment terminal adapter

About Redwood Mini

Redwood Mini is a compact, easy-to-use mounting solution designed for space-constrained environments. With a minimal footprint, 10 lb load capacity, and intuitive, minimal assembly, Redwood Mini delivers durable performance, clean aesthetics, and flexibility across wall and surface-mounted applications.



A COMPACT DESKTOP STAND

Weight Capacity: Up to 10 lbs.

Tilt: Up to 110°

Rotation: Up to 180°

B WALL MOUNT | SWIVEL

Weight Capacity: Up to 10 lbs.

Tilt: Up to 120°

Rotation: Up to 180°

C WALL MOUNT | ARM

Weight Capacity: Up to 10 lbs.

Tilt: Up to 120°

Rotation: Up to 180°



1 Redwood Mini Compact Desktop Stand 2 Redwood Mini Wall Mount Swivel 3 Redwood Mini Wall Mount Arm with Universal Tablet Enclosure

