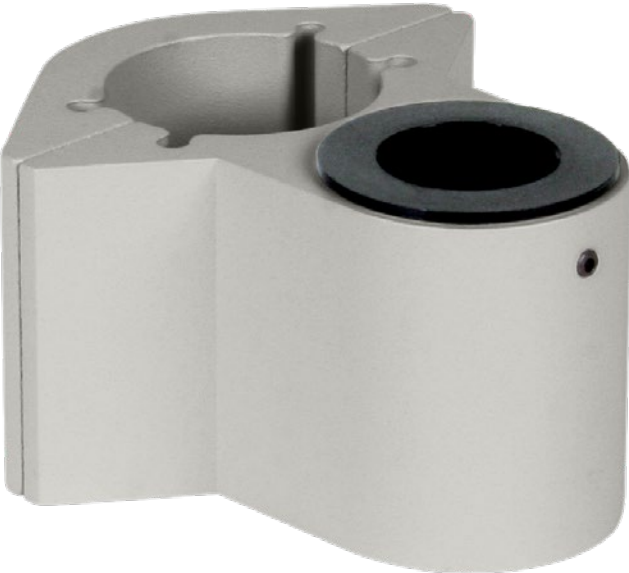


8210 - POLE CLAMP MOUNT

ACCESSORIES



HAT
DESIGN WORKS™
HUMAN ACTIVE TECHNOLOGY

STURDY POLE CLAMP.

Clamp your HAT monitor arm to vertical poles of 1.5", 1.75" and 2" diameter.

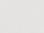
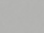
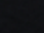


FEATURES

- **Sturdy:** Sturdy die-cast aluminum construction.
- **Flexible:** Accomodated round poles of 1.5", 1.75" and 2" diameter.
- **Adjustable:** Adjustable tension.

SPECIFICATIONS

Finishes

	Flat White 248
	Silver 124
	Vista Black 104

Part Numbers

8210-___

WARRANTY

10 Years



CAPABILITIES

