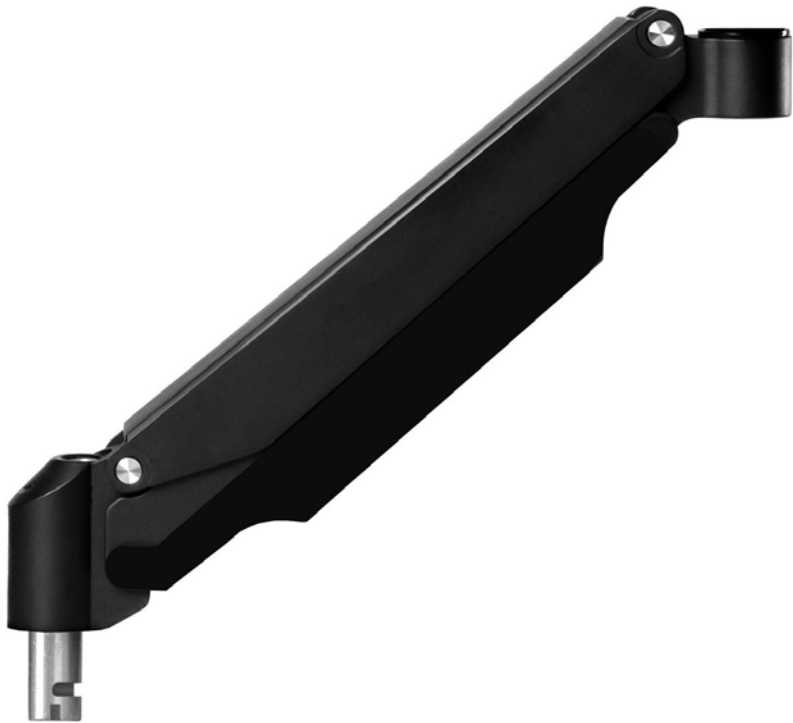


E2 HEIGHT ADJUSTABLE ARM

ACCESSORIES



HAT
DESIGN WORKS™
HUMAN ACTIVE TECHNOLOGY

ADD DYNAMIC MOVEMENT TO YOUR MOUNT.

Our E2 Height Adjustable Arm offers instant height adjustment and intuitive one-handed repositioning of your display, payment terminal, or tablet enclosure. The height adjustable arm enables the mounted device to be raised or lowered to the ideal viewing angle of the user for increased comfort.



Shown with our Wall Mount and Payment Terminal Adapter

Mount and peripheral support sold separately. Contact us to help configure a mounting solution that fits your unique requirements.

FEATURES

- **Flexible:** Easily rotate and adjust height of device for the perfect viewing angle.
- **Organized:** Cable management routes cables underneath the height adjustable arm.
- **Sleek:** Clean lines and a modern silhouette conveys a quality image straight through the checkout process.
- **Easy:** Tension indicator allows the user to pre-counterbalance arms based on device weight prior to installation.
- **Compatible:** Works with our Modular Now Pole Mounts and Wall Mounts.

SPECIFICATIONS

Finishes

- Silver 124
- Vista Black 104

Dimensions

Height Adjustment: 13.3"
Extension Range: 11.5"
Tilt: 180°
Rotation: 360°
Weight Capacity: 2.2 - 20 lbs.

Part Numbers

E2-ARM-NT-__

Compatible with our surface and wall mounts:



E2 Arm with our VESA-compatible Modular Now Surface Pole Mount



E2 Arm with our payment terminal adapter and Modular Now Surface Pole Mount



E2 Arm with our VESA-compatible Wall Mount with Extension Arm



E2 Arm with our payment terminal adapter and Modular Now Compact Mount

WARRANTY

10 Years

CAPABILITIES

