

THIN CLIENT MOUNT

ACCESSORIES



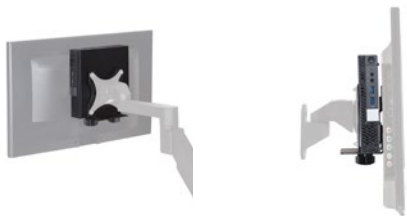
HAT
COLLECTIVE™
HUMAN ACTIVE TECHNOLOGY

ADJUSTABILITY. STABILITY. VERSATILITY.

Our Thin Client Mount makes it easier than ever to integrate a thin client or microcomputer into your workspace. The adjustable design adapts to the size of your CPU and attaches with a variety of mounting options.

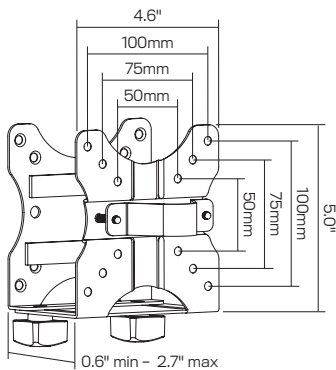


Compatible with our monitor arms and mounts:



Thin Client mounted to monitor arm

Thin Client mounted to wall mount



FEATURES

- **Adjustability:** Adjusts to secure most small CPUs from .6" to 2.7" wide.
- **Stability:** Straps included for increased flexibility.
- **Versatility:** Attaches to VESA adapter, direct to desk, clamped to pole or a wall track.

SPECIFICATIONS

Finishes

- Black
- B

Dimensions

Width Adjustment Range: .6" - 2.7"
Weight Capacity: Up to 11 lbs
VESA Compatibility:
50mm, 75mm & 100mm

Part Numbers

FDM-TCM-B

WARRANTY

5 Years

