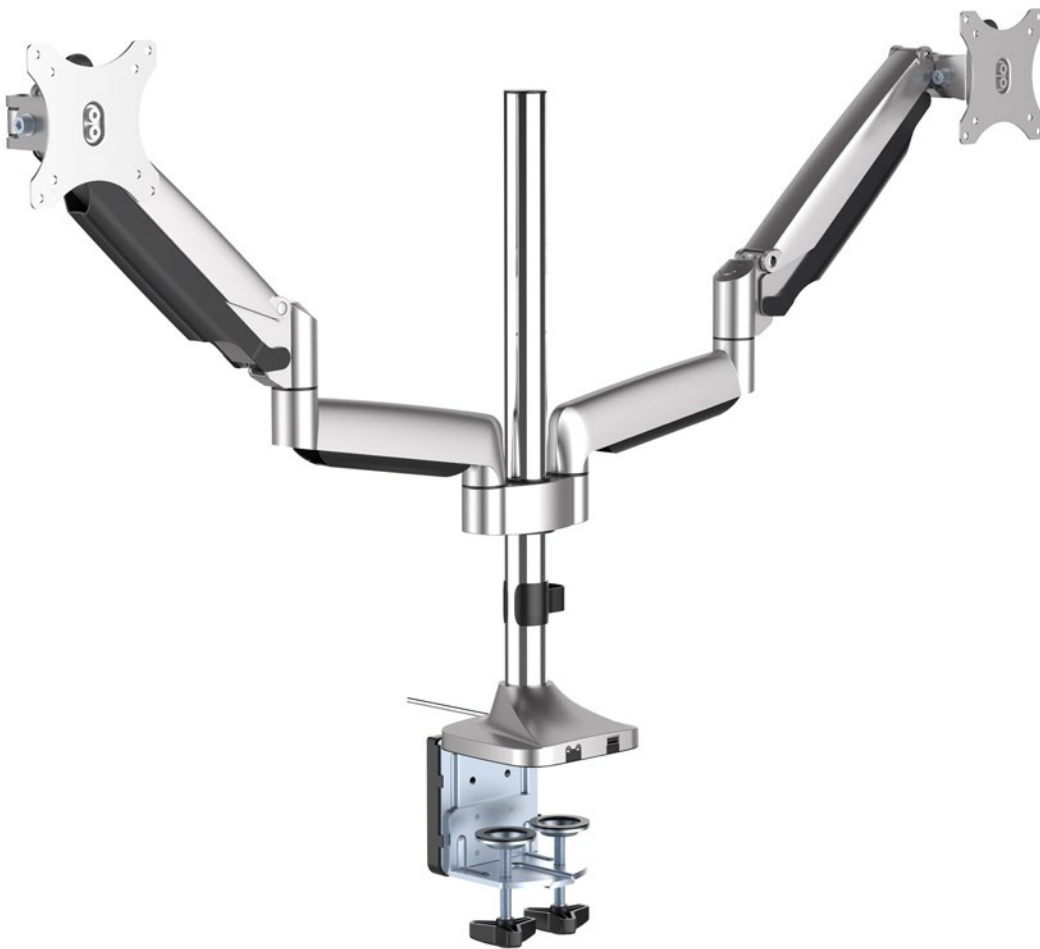


LDT10-KP01

MONITOR ARMS

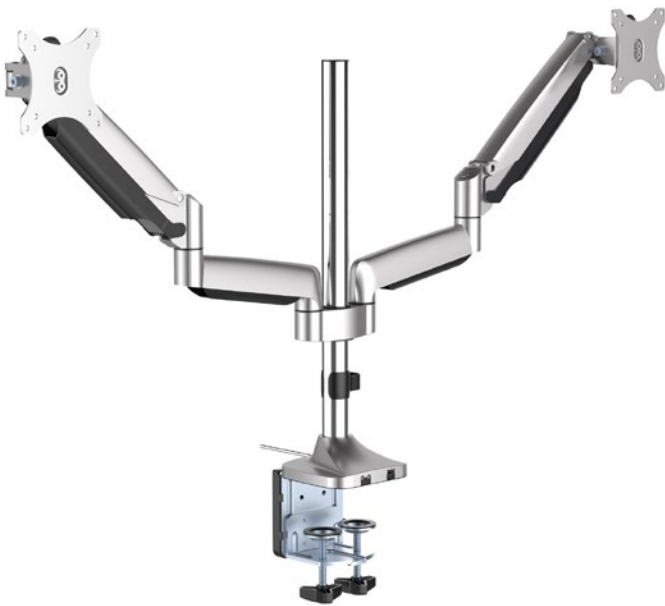


STAY CONNECTED.

This dual monitor arm seamlessly transforms your workstation into an integrated workcenter for laptops, external data sources, displays, network connections and peripherals.

The easily adjustable gas spring arm makes ergonomic adjustment of your monitors effortless.

The E-base comes with one USB 3.0 Port, one Microphone Port, and one Headphone Port – convenient for data transfers, mobile device charging, and video conferencing.



FEATURES

- **Connected:** Mount includes integrated connectivity including, USB 3.0 Port, Microphone Port, and Headphone Port.
- **Responsive:** One-touch monitor adjustment.
- **Flexible:** Swivels, tilts and rotates from portrait to landscape.
- **Quick-Install:** Detachable, quick-install VESA plate reduces installation time.
- **Organized:** Integrated cable management system keeps worksurface free of cable clutter.
- **Compatible:** VESA-monitor compatible – 75mm & 100mm VESA adapter(s) included.

SPECIFICATIONS

Finishes



Silver

Dimensions

Screen Size: Up to 32"

Height Adjustment: 13.8"

Extension Range: 20.7"

Max Monitor Height: 23.6"

Weight Capacity:

2.2 – 19.8 lbs. per monitor

Mount: Desk Edge, Grommet

Compatibility: 0.4" – 3.3" desk thickness

Part Numbers

LDT10-KP01