

# 3545

MONITOR ARMS



HAT  
DESIGN WORKS™  
HUMAN ACTIVE TECHNOLOGY

# SHORT REACH MONITOR ARM

Comparable to the 3500 monitor mount, our 3545 short-reach radial monitor arm offers a compact, space-saving design. The mount features a fixed 45-degree forearm that provides additional vertical reach. Users are able to quickly fold the monitor mount back and out of the way when not in use.






Extension Range

## FEATURES

- **Space-Saving:** Folds up to occupy 3" of space.
- **Responsive:** One-touch monitor adjustment.
- **Flexible:** Easily pivot the monitor from portrait to landscape.
- **Compatible:** VESA-monitor compatible – 75mm & 100mm VESA adapter included.

## SPECIFICATIONS

### Finishes

	Flat White 248
	Silver 124
	Vista Black 104

### Dimensions

Screen Size: Up to 30"  
 Height Adjustment: 9.5"  
 Extension Range: 17"  
 Max Monitor Height: 18"  
 Mount: C-Clamp, Grommet

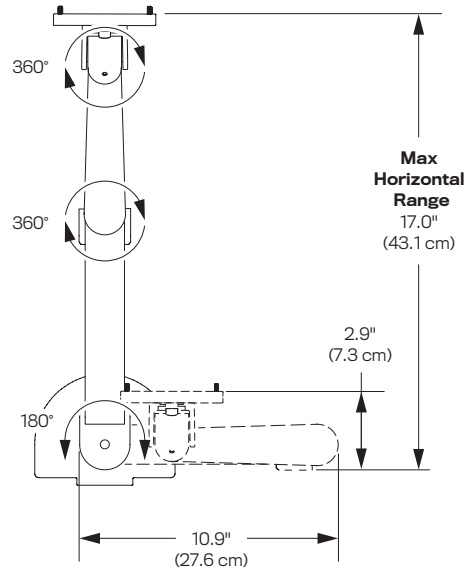
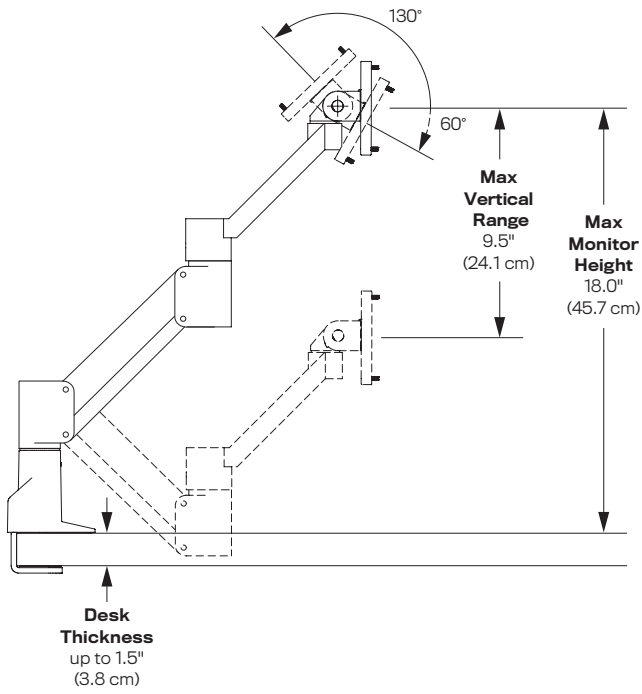
### Part Numbers

3545-250-\_\_\_ (1.5 - 12 lbs. monitor)  
 3545-350-\_\_\_ (5.5 - 16 lbs. monitor)  
 3545-450-\_\_\_ (10 - 23 lbs. monitor)  
 3545-600-\_\_\_ (13 - 28 lbs. monitor)

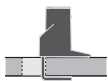
## WARRANTY

10 Years

CAPABILITIES



C-Clamp



Grommet