



**EVO<sup>®</sup>**  
MONITOR ARMS



**HAT**  
DESIGN WORKS™  
HUMAN ACTIVE TECHNOLOGY

# A SLEEK SPACE-SAVER.

Evo is ergonomics, space savings, and clever design all packed into one slim monitor arm. One-touch adjustment and an efficient cable management system keep things extra simple.



## FEATURES

- **Balanced:** Tension adjustment at each joint allows for seamless counterbalance.
- **Responsive:** One-touch monitor adjustment.
- **Quick-Install:** Durable VESA plate reduces installation time.
- **Flexible:** Easily rotate flat panel monitor for portrait or landscape viewing.
- **Compatible:** VESA-monitor compatible – 75mm & 100mm VESA adapter included.

## SPECIFICATIONS

### Finishes

- Flat White 248
- Silver 124
- Vista Black 104

### Dimensions

Screen Size: Up to 27"  
 Height Adjustment: 10.4"  
 Extension Range: 18"  
 Max Monitor Height: 19.6"  
 Weight Capacity: 1 - 15 lbs.  
 Mount: Desk Edge, Grommet (optional Thru-Desk mount available)  
 Compatibility: Up to 1.5" desk thickness

### Part Numbers

5900- \_ \_ \_

## WARRANTY

10 Years



reddot award 2017 winner



Sleek, award-winning design



Integrated cable management

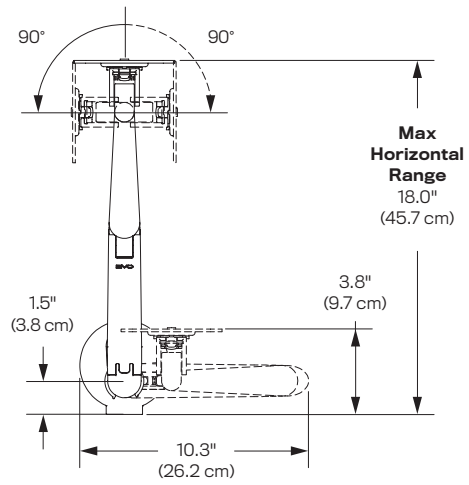
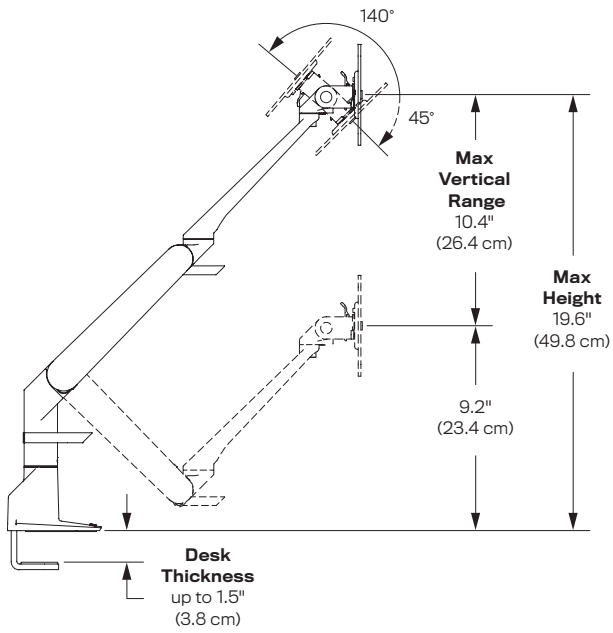


Ease-of-use encourages users to work ergonomically



Mount clamps to desk edge or grommet

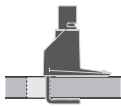
CAPABILITIES



\* Joint is capable of rotating 360 degrees, but size of monitor will limit the rotation.



**Desk Edge**



**Grommet**



**Thru-Desk\***

Model 8508  
\*Sold Separately