

7045-FM

MONITOR ARMS



HAT
DESIGN WORKS™
HUMAN ACTIVE TECHNOLOGY

EXTENDED VERTICAL REACH.

Comparable to our 7000 monitor arm, the 7045-FM mount features a fixed-position forearm which provides additional vertical reach. The arm renders the monitor weightless for instant height adjustment. This flexible monitor arm can be folded out of the way when not in use.



Effortlessly reposition monitor arm to where you need it

Wall mount configuration



Integrated cable management



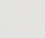
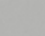
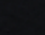
Space-saving design

FEATURES

- **Flexible:** Arm articulates 360 degrees and offers a max monitor tilt range of 190 degrees, allowing maximum flexibility.
- **Minimal:** Arm can be folded to occupy just 3" of space.
- **Rotate:** Monitor can be rotated for landscape or portrait viewing.
- **Adaptable:** Includes our FLEXmount, offering six different reconfigurable mounting solutions in one kit.
- **Compatible:** VESA-monitor compatible - 75mm & 100mm VESA adapter included.

SPECIFICATIONS

Finishes

	Flat White 248
	Silver 124
	Vista Black 104

Dimensions

Screen Size: Up to 32"
 Height Adjustment: 16"
 Extension Range: 21.4"
 Max Monitor Height: 20.1"
 Weight Capacity: 3 - 28 lbs.
 Mount: Desk Edge, Thru-Desk, Grommet, Wall, Reverse Wall, Side Bolt

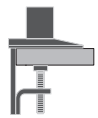
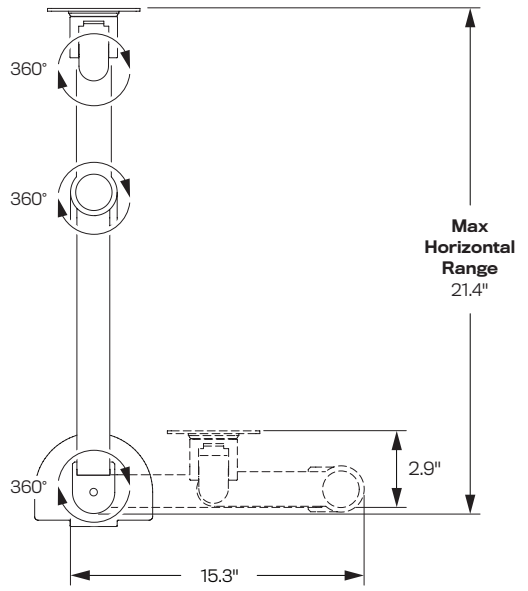
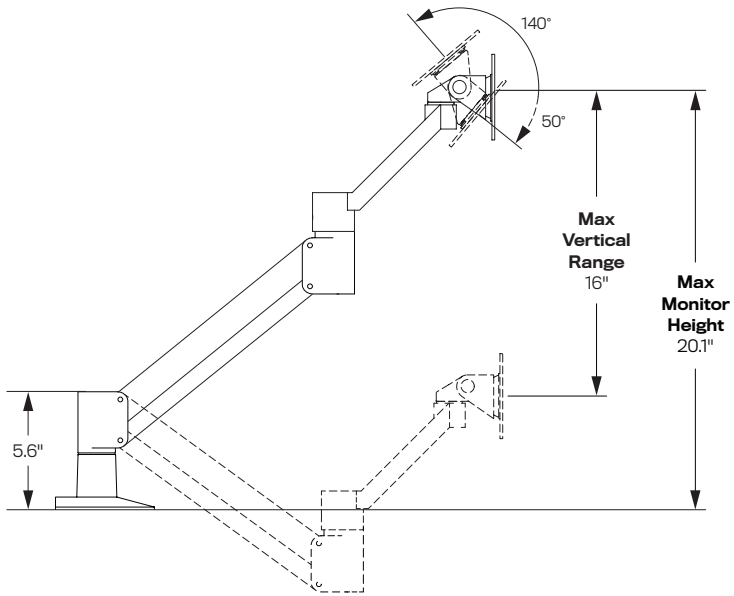
Part Numbers

7045-FM-500-___ (3 - 10 lbs. monitor)
 7045-FM-800-___ (10 - 22 lbs. monitor)
 7045-FM-1000-___ (13 - 28 lbs. monitor)

WARRANTY

10 Years

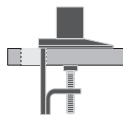
CAPABILITIES



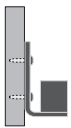
Desk Edge



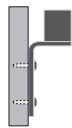
Thru-Desk



Grommet



Wall



Reverse Wall



Side Bolt

