



E2

MONITOR ARMS



HAT
COLLECTIVE™
HUMAN ACTIVE TECHNOLOGY

SLEEK DESIGN. MAXIMUM FLEXIBILITY.

An evolution in ergonomics. Introducing “E2”, the next generation of the original Envoy monitor arm. E2 offers a polished design with maximum flexibility for user screen interaction. With a recent study citing 24% of workers experience neck pain, the E2 seeks to optimize user performance and adjustment control while eliminating the strain on neck muscles.



With a fast and easy install, quick release tilter and featured sliders on the dual arm, the E2 proves to be the ideal monitor arm for both home and office environments.

FEATURES

- **Sleek:** Clean lines and a modern silhouette provide a stylish profile for either home or office.
- **Ergonomic:** Allows monitors to be placed at an ergonomically correct distance from the user’s eyes to increase comfort and productivity no matter where a person is working.
- **Dynamic:** Portrait-to-landscape rotation feature reduces stress on the neck and shoulders.
- **Easy:** Tension indicator allows the user to pre-counterbalance arms based on monitor weight prior to installation.
- **Compatible:** VESA-monitor compatible – 75mm & 100mm VESA adapter(s) included.

SPECIFICATIONS

Finishes

Flat White
248

Vista Black
104

E2 Dual

Screen Size: Up to 68.5 cm

Height Adjustment: 33.0 cm

Width Adjustment Range:
44.4 - 72.3 cm

Max Monitor Height: 46.9 cm

Weight Capacity:
1 - 9 kg per monitor

Mount: Top down mount
(Desk Edge, Grommet)

Compatibility: 3.8 cm desk thickness

Part Numbers

E2-1-___

E2-2-___

E2 Single

Screen Size: Up to 81.2 cm

Height Adjustment: 33.7 cm

Extension Range: 60.2 cm

Max Monitor Height: 52.3 cm

Weight Capacity:

Flat Panel: 1 - 9 kg

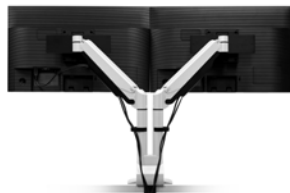
Curved: 7.2 kg

Mount: Top down mount
(Desk Edge, Grommet)

Compatibility: Up to 3.8 cm desk thickness



Dual arm features sliders for maximum adjustability



Cable management allows for a clutter-free workspace

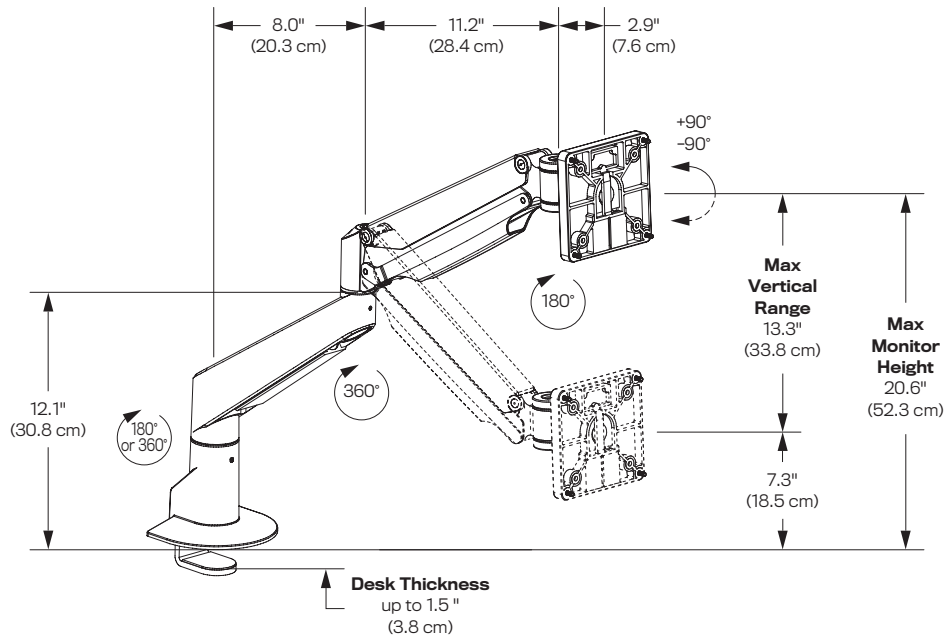


Dual arm features tension indicator for easy installation

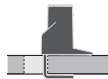
WARRANTY

10 Years

E2 SINGLE CAPABILITIES

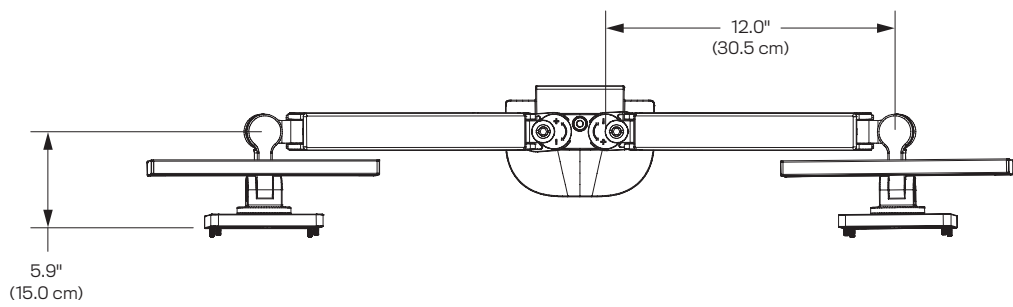
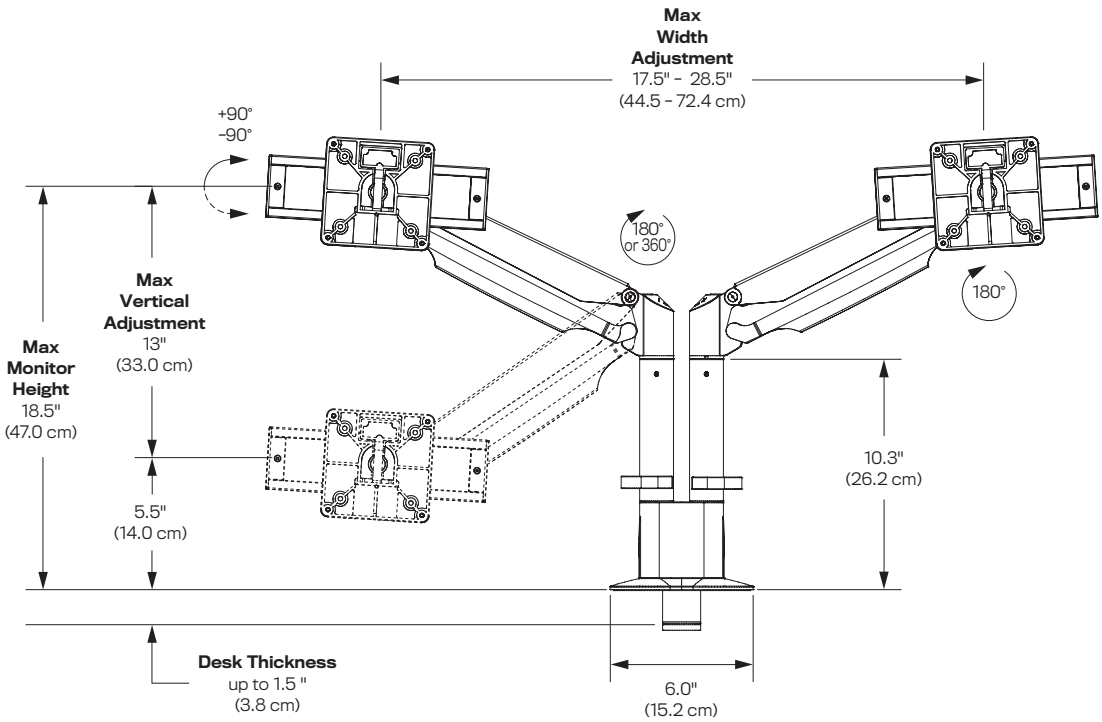


Desk Edge

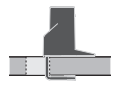


Grommet

E2 DUAL CAPABILITIES



C-Clamp



Grommet