



## **E2 DUAL**

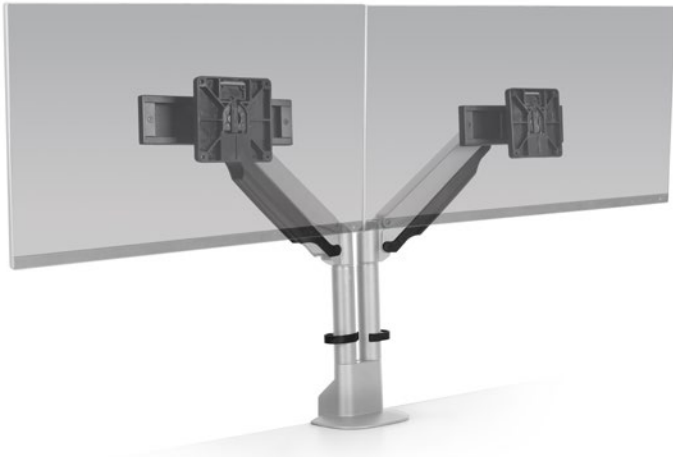
MONITOR ARMS



**HAT**  
DESIGN WORKS™  
HUMAN ACTIVE TECHNOLOGY

# SLEEK DESIGN. MAXIMUM FLEXIBILITY.

An evolution in ergonomics. Introducing “E2”, the next generation of the original Envoy monitor arm. E2 offers a polished design with maximum flexibility for user screen interaction. With a recent study citing 24% of workers experience neck pain, the E2 seeks to optimize user performance and adjustment control while eliminating the strain on neck muscles.



With a fast and easy install, quick release tilter and featured sliders on the dual arm, the E2 proves to be the ideal monitor arm for both home and office environments.

## FEATURES

- **Sleek:** Clean lines and a modern silhouette provide a stylish profile for either home or office.
- **Ergonomic:** Allows monitors to be placed at an ergonomically correct distance from the user's eyes to increase comfort and productivity no matter where a person is working.
- **Dynamic:** Portrait-to-landscape rotation feature reduces stress on the neck and shoulders.
- **Compatible:** VESA-monitor compatible - 75mm & 100mm VESA adapters included.

## SPECIFICATIONS

### Finishes

- Flat White  
248
- Silver  
124
- Vista Black  
104

### Dimensions

Screen Size: Up to 27"  
Height Adjustment: 13"  
Width Adjustment Range: 17.5" - 28.5"  
Max Monitor Height: 18.5"  
Weight Capacity: 2.2 - 20 lbs. per monitor  
Mount: Desk Edge, Grommet  
Compatibility: Up to 1.5" desk thickness

### Part Numbers

E2-2-\_\_



Cable management allows for a clutter-free workspace



Integrated sliders provide maximum flexibility

## WARRANTY

10 Years