



E5

MONITOR ARMS



HAT  
COLLECTIVE™  
HUMAN ACTIVE TECHNOLOGY

## MINIMAL PARTS, MAXIMUM POSSIBILITIES.

Monitor arms must adapt to the needs of today's workers, as well as those of tomorrow in the evolving technology landscape.

Meet E5 – a next gen monitor mounting system built for simplicity, efficiency, and compatibility.



Top-down mount installs above desk for quick installation



Rotation and friction adjustments are made externally



Universal connections enable easy reconfiguration

E5 ensures easy assembly and seamless future adaptability. Whether you're mounting a 5, 20 or 40-pound monitor, one single E5 monitor arm has you covered. Not only does this eliminate the cost of installing an entirely new setup, but E5 makes the entire specification process easy and hassle free. The future never looked so good.

### FEATURES

- **Fast Assembly:** Our innovative top-down mount, one tool installation, and convenient integrated tool storage makes E5 installation quick and easy.
- **Easy Adjustments:** Rotation stop adjustments are made externally for ease of use. No need to disassemble the arm, simply choose the amount of rotation from 90, 180, and 360 degrees.
- **Painless Configurability:** With 12 components and universal push-button quick connections, E5 offers infinite possibilities for customization.
- **Tension Indicator:** Built-in tension indicator allows the user to pre-counterbalance arms based on monitor weight prior to installation.
- **Quick-Disconnect:** Monitors can be easily changed with the quick-disconnect integrated on the VESA adapter.
- **Cable Management:** Cables are routed down along the arm or pole keeping your workspace clutter free.

### SPECIFICATIONS

#### Finishes



**Mount:** C-Clamp, Grommet

**Compatibility:** Up to 1.5" desk thickness, 2.25" minimum grommet hole diameter

See pages 3-6 for additional specs

### WARRANTY

15 Years

## E5 DYNAMIC

---



**E5 SINGLE DYNAMIC**

**Screen Size:** Up to 49"

**Weight Capacity:** 0-25 lbs. or 5-45 lbs.

**Part Number:** E5-D1L-\_\_\_ (0-25 lbs.)  
E5-D1-\_\_\_ (5-45 lbs.)



**E5 SINGLE DYNAMIC POLE**

**Screen Size:** Up to 49"

**Weight Capacity:** 0-25 lbs.

**Part Number:** E5-P01SD-\_\_\_



**E5 DUAL DYNAMIC**

**Screen Size:** Up to 32"

**Weight Capacity:** 0-25 lbs. per monitor

**Part Number:** E5-D2-\_\_\_



**E5 DUAL DYNAMIC WIDE**

**Screen Size:** Up to 44" bezel measured

**Weight Capacity:** 0-20 lbs. per monitor

**Part Number:** E5-D2SD-\_\_\_

## E5 DYNAMIC

---



**E5 DUAL CROSSBAR DYNAMIC**

**Screen Size:** Up to 32"

**Weight Capacity:** 0-20 lbs. per monitor

**Part Number:** E5-D2C-\_\_\_



**E5 DUAL DYNAMIC POLE**

**Screen Size:** Up to 32"

**Weight Capacity:** 0-25 lbs. per monitor

**Part Number:** E5-P02D-\_\_\_



**E5 DUAL DYNAMIC WIDE POLE**

**Screen Size:** Up to 44" bezel measured

**Weight Capacity:** 0-20 lbs. per monitor

**Part Number:** E5-P02SD-\_\_\_



**E5 TRIPLE DYNAMIC POLE**

**Screen Size:** Up to 27"

**Weight Capacity:** 0-20 lbs. per monitor

**Part Number:** E5-P03SD-\_\_\_



## E5 STATIC

---



**E5 SINGLE STATIC POLE**  
**Screen Size:** Up to 49"  
**Weight Capacity:** 0-45 lbs.  
**Part Number:** E5-P01-\_\_\_



**E5 DUAL STATIC POLE**  
**Screen Size:** Up to 32"  
**Weight Capacity:** 0-25 lbs. per monitor  
**Part Number:** E5-P02S-\_\_\_



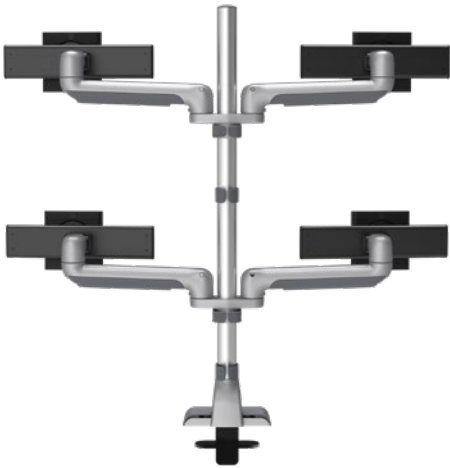
**E5 TRIPLE STATIC POLE**  
**Screen Size:** Up to 27"  
**Weight Capacity:** 0-20 lbs. per monitor  
**Part Number:** E5-P03SS-\_\_\_



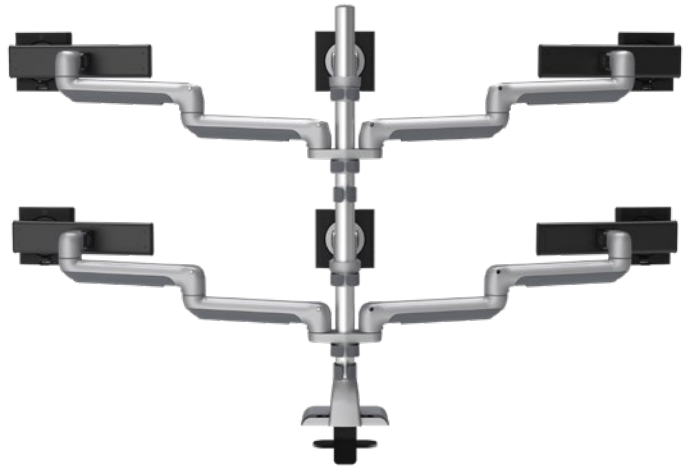
**E5 ONE OVER ONE STATIC POLE**  
**Screen Size:** Up to 49"  
**Weight Capacity:** 0-30 lbs. per monitor  
**Part Number:** E5-P11-\_\_\_

## E5 STATIC

---



**E5 TWO OVER TWO STATIC POLE**  
**Screen Size:** Up to 27"  
**Weight Capacity:** 0-15 lbs. per monitor  
**Part Number:** E5-P22S-\_\_\_



**E5 THREE OVER THREE STATIC POLE**  
**Screen Size:** Up to 27"  
**Weight Capacity:** 0-10 lbs. per monitor  
**Part Number:** E5-P33SS-\_\_\_