



E5 SERIES

MONITOR ARMS



HAT
DESIGN WORKS™
HUMAN ACTIVE TECHNOLOGY

MINIMAL PARTS, MAXIMUM POSSIBILITIES.

Monitor arms must adapt to the needs of today's workers, as well as those of tomorrow in the evolving technology landscape.

Meet E5 – a next gen monitor mounting system built for simplicity, efficiency, and compatibility.



E5 ensures effortless assembly and seamless adaptability, providing a perfect fit for any monitor. Built to meet your current setup needs, it's also ready to accommodate future changes in workspace design, technology, or monitor upgrades. The future never looked so good.

FEATURES

- **Fast Assembly:** Our innovative top-down mount, one tool installation, and convenient integrated tool storage makes E5 installation quick and easy.
- **Easy Adjustments:** Rotation stop adjustments are made externally for ease of use. No need to disassemble the arm, simply choose the amount of rotation from 90, 180, and 360 degrees.
- **Painless Configurability:** With 12 components and universal push-button quick connections, E5 offers infinite possibilities for customization.
- **Tension Indicator:** Built-in tension indicator allows the user to pre-counterbalance arms based on monitor weight prior to installation.
- **Quick-Disconnect:** Monitors can be easily changed with the quick-disconnect integrated on the VESA adapter.
- **Cable Management:** Cables are routed down along the arm or pole keeping your workspace clutter free.

SPECIFICATIONS

Finishes



Screen Size: Varies by SKU

Weight Capacity: Varies by SKU

Mount: C-Clamp, Grommet

Compatibility: Up to 1.5" desk thickness, 2.25" minimum grommet hole diameter

See pages 3-6 for additional specs

WARRANTY

15 Years



Top-down mount installs above desk for quick installation



Rotation and friction adjustments are made externally



Universal connections enable easy reconfiguration

E5 DYNAMIC

FINISHES WHT SLV BLK

Color Code Specification
Example: E5-D1-BLK



E5 SINGLE DYNAMIC

Screen Size: Up to 49"

Weight Capacity: 0-25 lbs. or 5-45 lbs.

Part Number: E5-D1L-___ (0-25 lbs.)
E5-D1-___ (5-45 lbs.)



E5 SINGLE DYNAMIC POLE

Screen Size: Up to 49"

Weight Capacity: 0-25 lbs.

Part Number: E5-P01SD-___



E5 DUAL DYNAMIC

Screen Size: Up to 32"

Weight Capacity: 0-25 lbs. per monitor

Part Number: E5-D2-___



E5 DUAL DYNAMIC WIDE

Screen Size: Up to 44" bezel measured

Weight Capacity: 0-20 lbs. per monitor

Part Number: E5-D2SD-___



E5 DYNAMIC

FINISHES WHT SLV BLK

Color Code Specification
Example: E5-D1-BLK



E5 DUAL CROSSBAR DYNAMIC

Screen Size: Up to 32"

Weight Capacity: 0-20 lbs. per monitor

Part Number: E5-D2C-___



E5 DUAL DYNAMIC POLE

Screen Size: Up to 32"

Weight Capacity: 0-25 lbs. per monitor

Part Number: E5-P02D-___



E5 DUAL DYNAMIC WIDE POLE

Screen Size: Up to 44" bezel measured

Weight Capacity: 0-20 lbs. per monitor

Part Number: E5-P02SD-___



E5 TRIPLE DYNAMIC POLE

Screen Size: Up to 27"

Weight Capacity: 0-20 lbs. per monitor

Part Number: E5-P03SD-___



E5 STATIC

FINISHES WHT SLV BLK

Color Code Specification
Example: E5-D1-BLK



E5 SINGLE STATIC POLE
Screen Size: Up to 49"
Weight Capacity: 0-45 lbs.
Part Number: E5-P01-__



E5 DUAL STATIC POLE
Screen Size: Up to 32"
Weight Capacity: 0-25 lbs. per monitor
Part Number: E5-P02S-__



E5 TRIPLE STATIC POLE
Screen Size: Up to 27"
Weight Capacity: 0-20 lbs. per monitor
Part Number: E5-P03SS-__

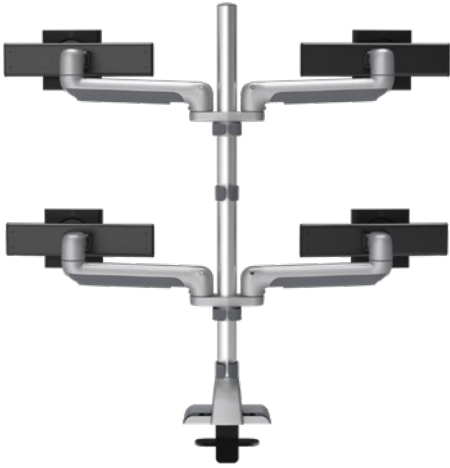


E5 ONE OVER ONE STATIC POLE
Screen Size: Up to 49"
Weight Capacity: 0-30 lbs. per monitor
Part Number: E5-P11-__

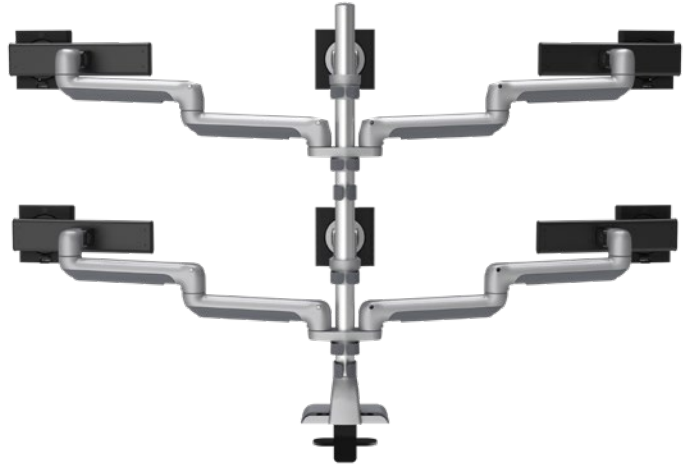
E5 STATIC

FINISHES WHT SLV BLK

Color Code Specification
Example: E5-D1-BLK



E5 TWO OVER TWO STATIC POLE
Screen Size: Up to 27"
Weight Capacity: 0-15 lbs. per monitor
Part Number: E5-P22S-___



E5 THREE OVER THREE STATIC POLE
Screen Size: Up to 27"
Weight Capacity: 0-10 lbs. per monitor
Part Number: E5-P33SS-___