



WALL TRACK WORKSTATION w/MONITOR & KEYBOARD ARMS

MONITOR ARMS



HAT
DESIGN WORKS™
HUMAN ACTIVE TECHNOLOGY

ULTIMATE FUNCTIONALITY.

Caregivers can work sitting or standing with everything they need with our flexible wall track workstation. Easily reposition your screen or keyboard up and down, side-to-side to keep eye contact with your patients. The monitor and keyboard are easy to reposition and store, improving patient care by making caregivers' jobs easier and more comfortable.



Cables are routed through track and hidden behind cable channel





Optional CPU Holders available, can be mounted to wall track or directly to wall

FEATURES

- **Control:** Monitor and keyboard arms move independently, offering the ultimate in flexibility.
- **Ergonomic:** Keyboard tray tilts up and down to protect wrists from injury.
- **Space-Saving:** The monitor arm and keyboard arm can be folded flat against wall when not in use.
- **Organized:** Cables stay hidden behind cable channel keeping spaces clean and clutter-free.
- **Cleanability:** Easy-to-clean surfaces allows for thorough and efficient cleaning.
- **Compatible:** VESA-monitor compatible - 75mm & 100mm VESA adapter included.

SPECIFICATIONS

Finishes

	Flat White 248
	Vista Black 104

Dimensions

Track Length: 31"
 Monitor Height Adjustment: 16"
 Monitor Weight Capacity: 10 - 22 lbs.
 Screen Size: Up to 32"
 Keyboard Height Adjustment: 16"
 Keyboard Tray Size: 27" L x 11" W

Part Number

HM-WT004-800-___

Accessories

8335-SM-___	Small CPU Holder
8335-MD-___	Medium CPU Holder
8335-LG-___	Large CPU Holder

WARRANTY

10 Years

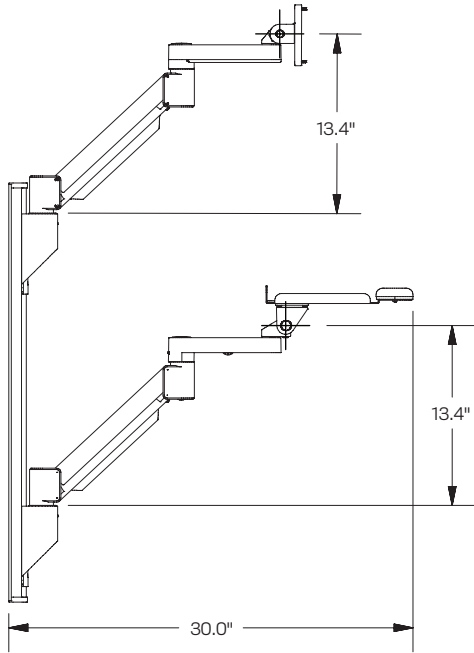


HAT
DESIGN WORKS™
 HUMAN ACTIVE TECHNOLOGY

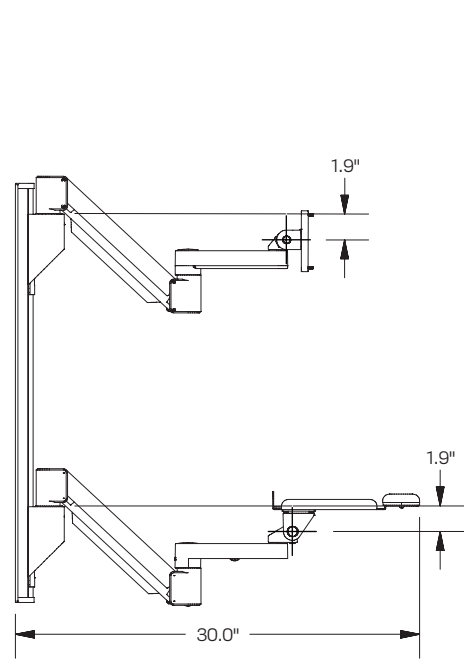
800 524 2744 hatdw.com

CAPABILITIES

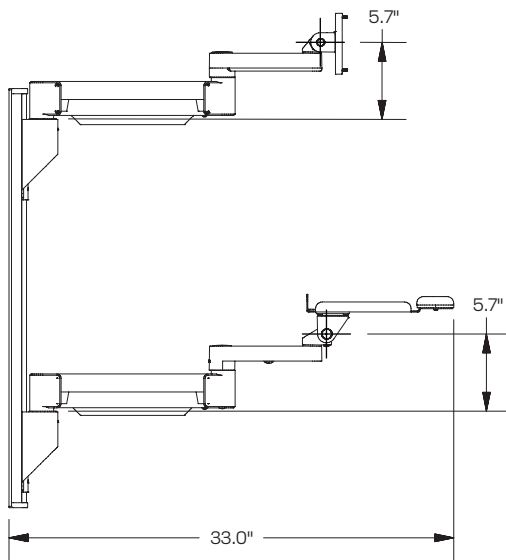
Full Up



Full Down



Fully Extended



Folded Against Wall

