

MODULAR NOW[®]
PRINTER TRAY WALL MOUNTS
POINT-OF-SALE



HAT
DESIGN WORKS™
HUMAN ACTIVE TECHNOLOGY

A FLEXIBLE MOUNT FOR PRINTERS.

Wall mount your receipt printer for easier reach and protect it from spills or hot kitchen equipment. Flexible swiveling mount allows the printer to be moved and repositioned as needed.

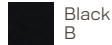


FEATURES

- **Extension:** Includes 8" extension arm (additional extension arms can be added for greater flexibility).
- **Adjustable:** Tension adjustment at joints.

SPECIFICATIONS

Finishes



Black
B

Dimensions

Printer Tray Sizes:

MNTR11-WM-08B: 5.5" W x 5.8" L

MNTR10-WM-08B: 5.7" W x 7.7" L

MNTR12-WM-08B: 10.3" W x 10.8" L

Extension Arm Length: 8"

Part Numbers

MNTR11-WM-08B

MNTR10-WM-08B

MNTR12-WM-08B

WARRANTY

10 Years



MNTR11-WM-08B



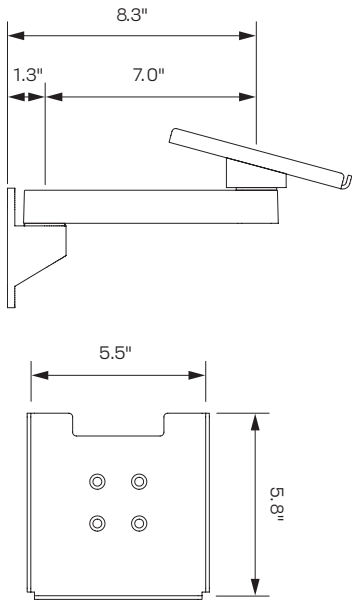
MNTR10-WM-08B



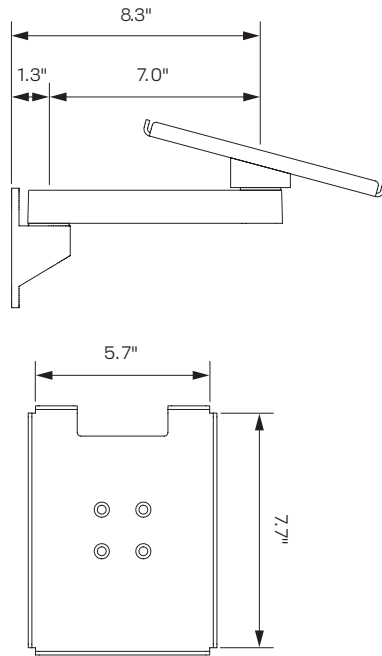
MNTR12-WM-08B

CAPABILITIES

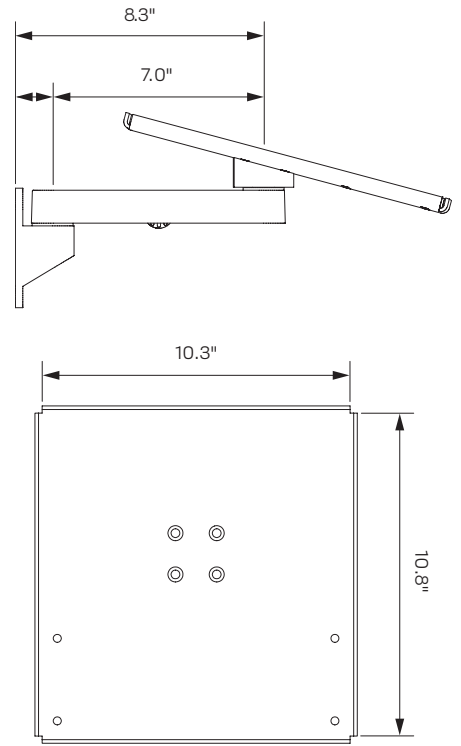
MNTR11-WM-08B



MNTR10-WM-08B



MNTR12-WM-08B



Mount
(All Models)

