



STAXX™

MONITOR ARMS

MODULAR FLEXIBILITY.

Designed for modularity, this groundbreaking display system can accommodate up to six monitors using a single mount. Staxx™ is a completely configurable pole-based solution allowing the addition of monitors by stacking more of the same parts on top of each other.



FEATURES

- **Scalable:** Easy to install and reconfigure.
- **Capable:** Mount large screens stacked or side by side.
- **Customizable:** Available in a wide range of sizes and configurations.
- **Adjustable:** Flexible extension arms provide easy positioning and personalized viewing angles.

SPECIFICATIONS

Finishes

- Flat White
248
- Silver
124
- Vista Black
104

Mount: Desk Edge, Grommet

Compatibility: Up to 1.5" desk thickness

See pages 3-4 for additional specs

WARRANTY

10 years

STAXX™ STANDARD

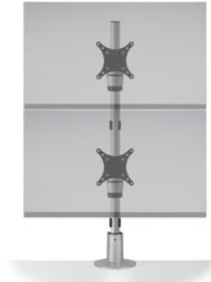


STAXX SINGLE

Screen Size: Up to 50"

Weight Capacity: Up to 30 lbs.

Part Number: STX-01S-___

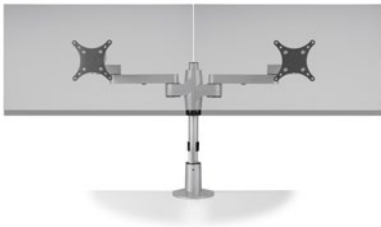


STAXX ONE OVER ONE

Screen Size: Up to 30"

Weight Capacity: Up to 20 lbs. per monitor

Part Number: STX-11S-___

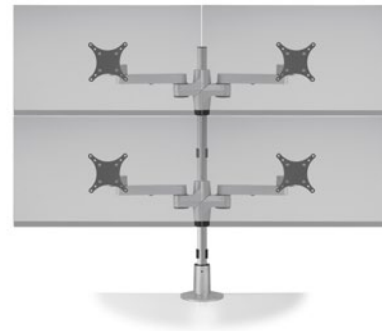


STAXX DUAL

Screen Size: Up to 24"

Weight Capacity: Up to 20 lbs. per monitor

Part Number: STX-02S-___

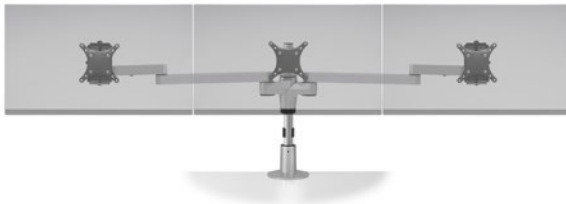


STAXX TWO OVER TWO

Screen Size: Up to 24"

Weight Capacity: Up to 15 lbs. per monitor

Part Number: STX-22S-___

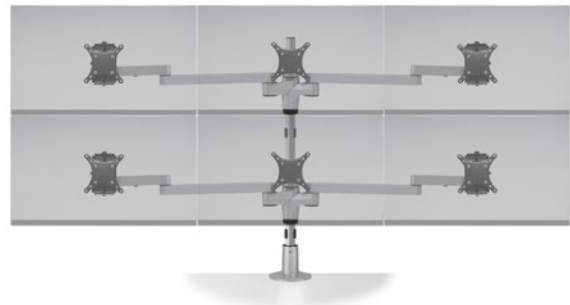


STAXX TRIPLE

Screen Size: Up to 24"

Monitor Weight: Up to 15 lbs. per monitor

Part Number: STX-03S-___



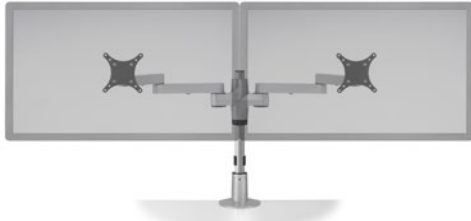
STAXX THREE OVER THREE

Screen Size: Up to 24"

Monitor Weight: Up to 10 lbs. per monitor

Part Number: STX-33S-___

STAXX™ WIDE

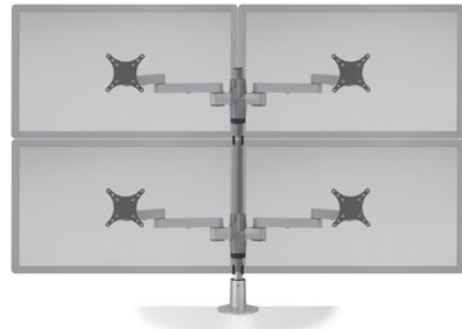


STAXX DUAL WIDE

Screen Size: 24" - 30"

Weight Capacity: Up to 20 lbs. per monitor

Part Number: STX-02W-___

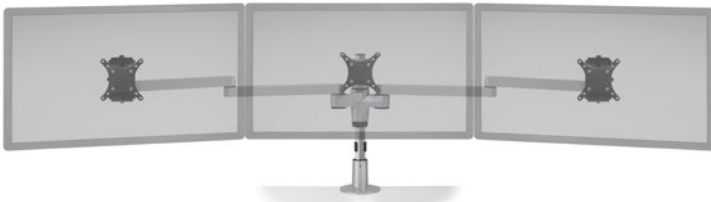


STAXX TWO OVER TWO WIDE

Screen Size: 24" - 30"

Weight Capacity: Up to 15 lbs. per monitor

Part Number: STX-22W-___

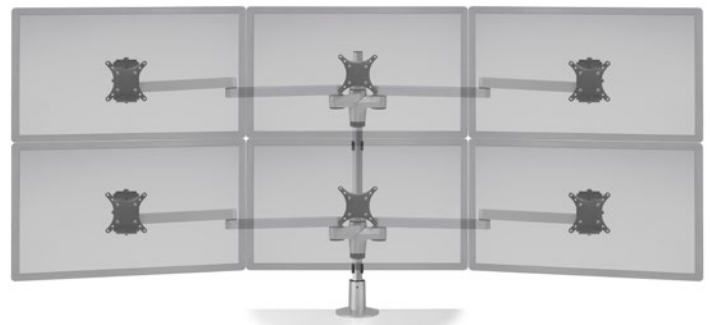


STAXX TRIPLE WIDE

Screen Size: 24" - 30"

Weight Capacity: Up to 15 lbs. per monitor

Part Number: STX-03W-___



STAXX THREE OVER THREE WIDE

Screen Size: 24" - 30"

Monitor Weight: Up to 10 lbs. per monitor

Part Number: STX-33W-___

STAXX™ ARTICULATING



STAXX DUAL ARTICULATING

Screen Size: Up to 27"

Weight Capacity:

- 10-23 lbs. per monitor (STX-450-8510-___)
- 2-13 lbs. per monitor (STX-500-8510-___)
- 5-17 lbs. per monitor (STX-600-8510-___)
- 7.5-25 lbs. per monitor (STX-800-8510-___)
- 12-25 lbs. per monitor (STX-1000-8510-___)



STAXX DUAL ARTICULATING w/LAPTOP HOLDER

Screen Size: Up to 27"

Weight Capacity:

- Monitor:
- 10-23 lbs. (STX-450-8510-___)
- 2-13 lbs. (STX-500-8510-___)
- 5-17 lbs. (STX-600-8510-___)
- 7.5-25 lbs. (STX-800-8510-___)
- 12-25 lbs. (STX-1000-8510-___)

Laptop Weight:
3 - 13.5 lb. (all sku's)