

# 9183

POINT-OF-SALE



HAT  
DESIGN WORKS™  
HUMAN ACTIVE TECHNOLOGY

# DURABLE, AESTHETIC, CUSTOMIZABLE.

Model 9183 is an adjustable countertop POS mount that features easy height adjustment, an attractive appearance, internal cable management, and durable construction.



## FEATURES

- **Versatile:** Countertop mount supports monitors, signature capture devices, kiosks, and more.
- **Adjustable:** Users can quickly adjust the monitor height above the counter.
- **Flexible:** Users are able to pivot and turn the monitor; the monitor can also be locked into place if desired.
- **Cable Management:** Monitor mount features internal cable routing; cables may pass through counter or exit behind mount.
- **Durable:** POS display mount is made of durable construction and stands up to retail use.
- **Customizable:** Compatible with Modular Now accessories, except base plates, on the uppermost section of the pole.
- **Compatible:** VESA-monitor compatible – 75mm & 100mm VESA adapter included.

## SPECIFICATIONS

### Finishes

 Vista Black  
104

### Dimensions

Height Adjustment:  
Adjusts above counter  
Weight Capacity: Up to 25 lbs.  
Mount: Bolts to surface

### Part Numbers

9183-15-\_\_\_ 11" - 15" height range  
9183-23-\_\_\_ 15" - 23" height range  
9183-39-\_\_\_ 23" - 39" height range



Easily adjust height



Adjustable display angle



Compatible with our Modular Now accessories



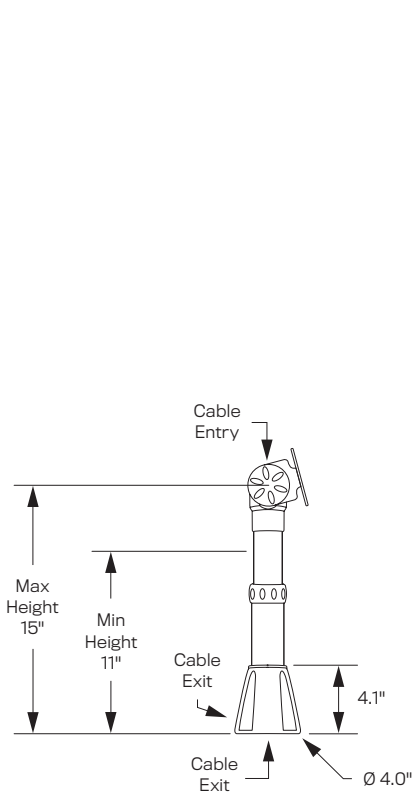
Cables may exit above or below surface

## WARRANTY

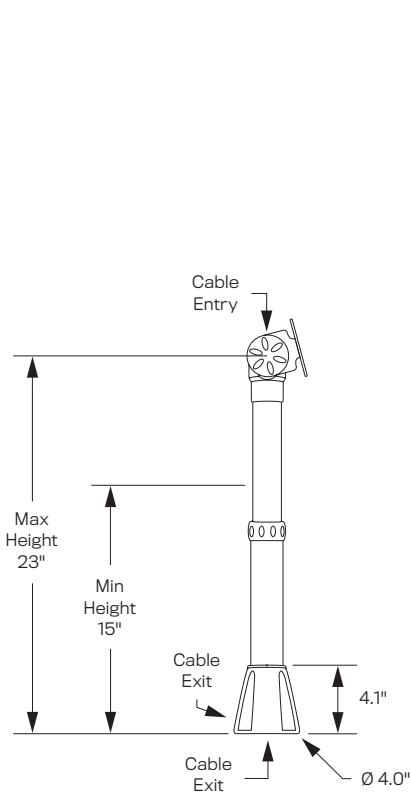
10 Years

**CAPABILITIES**

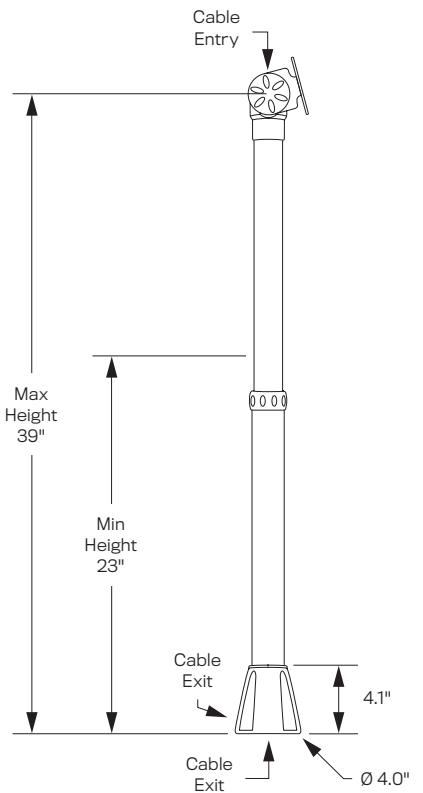
9183-15



9183-23



9183-39



**Bolt Pattern**  
(All Models)

