



FREE STANDING KIOSK

POINT-OF-SALE



HAT
DESIGN WORKS™
HUMAN ACTIVE TECHNOLOGY

SECURE. DURABLE. SLEEK.

Ideal for retail, convenience and wayfinding for any reception area, this Kiosk is secure and durable. Mount a monitor or VESA-compatible tablet enclosure to create your ideal experience.



FEATURES

- **Secure:** Lockable rear cabinets for cables, power strips and bricks, protects against tamper and theft in public areas.
- **Organized:** Internal cable management keeps cords out of sight and organized.
- **Charge:** Access to internal cable management allows for continuous charging while mounted.
- **Accessorize:** Includes a shelf for printers, payment terminals or other accessories which can be mounted in three different positions.

SPECIFICATIONS

Finishes



Black

Dimensions

Tilt: 15° to 90°

Lock: Tilt locks at 15°, 25°, 35°, 45°

VESA Compatibility: 75x75 and 100x100

Display Weight: Up to 17.6 lbs.

Screen Size: Up to 27"

VESA tablet enclosure compatible

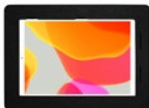
Part Number

KS10-B

Frequently Purchased Together:



Universal VESA
Tablet Enclosure
MNTE10-UNIV-B



iPad 9th Gen - VESA
Tablet Enclosure
MNTE10-IPAD09-B



iPad 10th Gen - VESA
Tablet Enclosure
MNTE10-IPAD10-B



Slider Bracket, 12" L
MNSL10-12B

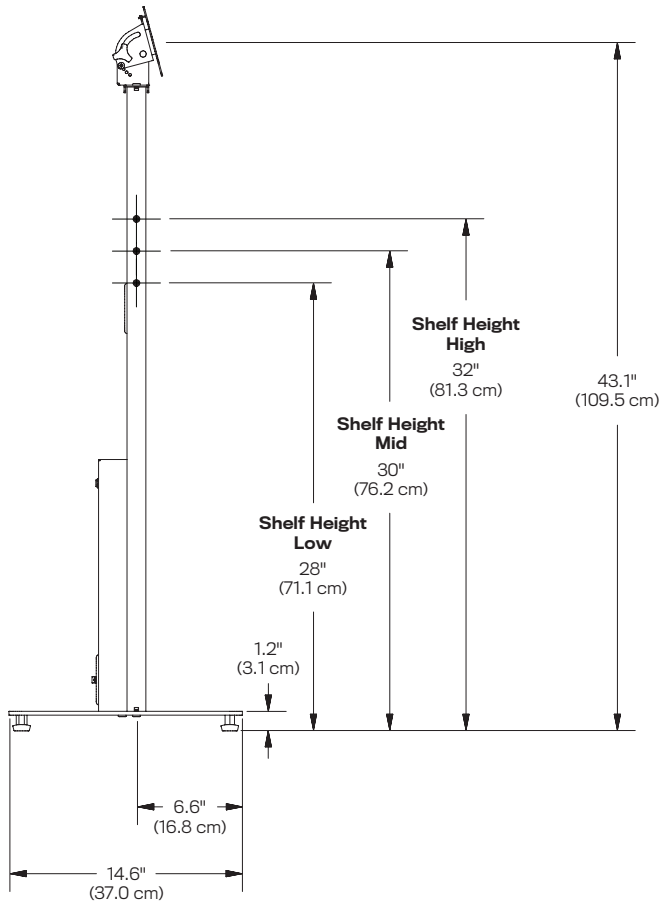


Slider Bracket, 18" L
MNSL10-18B

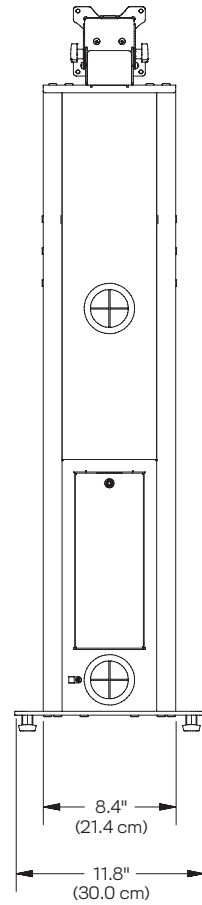


Reya Power Strip
PWR-STRP-BK

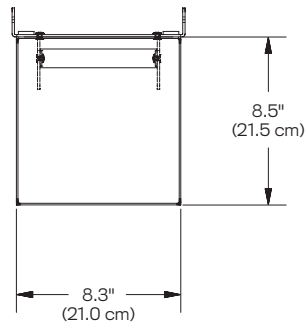
CAPABILITIES



Kiosk Side View



Kiosk Back View



Shelf Top Down View