



VERTICAL WALL TRACK SYSTEM

WALL MOUNTS



HAT
COLLECTIVE™
HEALTHCARE

CONFIGURABLE EFFICIENCY.

The 8326 vertical mounting track provides a space-efficient method of elevating your entire computer system. This highly configurable solution can be customized to meet your needs by incorporating flexible monitor arms, keyboard arms, and a CPU holder. All cables are routed through track, and hidden behind a cable channel.



FEATURES

- **Configure:** Design your solution with your choice of track length, monitor arm, keyboard arm, and CPU holder.
- **Clean:** Integrated cable management keeps cables organized and out of view.
- **Safe:** Mounting system prevents accidents and trip hazards which may damage equipment or harm staff.

SPECIFICATIONS

Finishes

- Flat White
248
- Silver
124
- Vista Black
104

Dimensions

Standard Track Lengths: 13", 19", 31"
Mount: Wall

Part Numbers

8326-_-_-_-



Add a monitor arm, keyboard arm, and/or a CPU holder



Easily create a solution that fits your needs



Cables are routed through track and hidden behind cable channel

WARRANTY

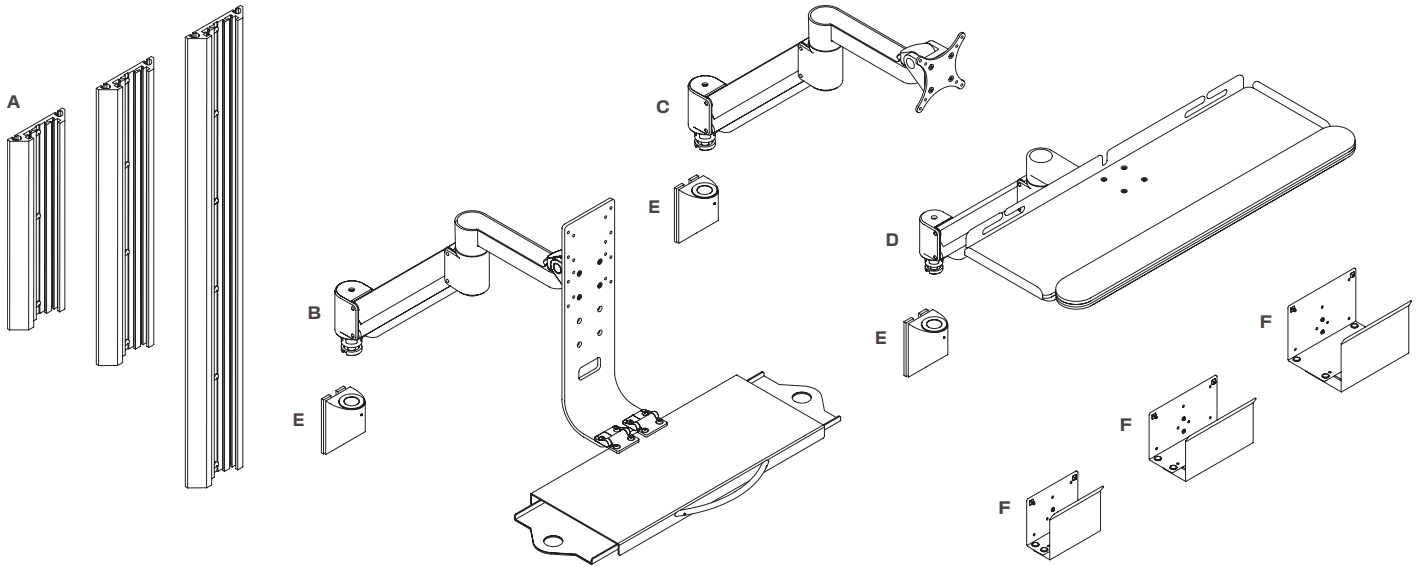
10 Years



HAT
COLLECTIVE™
HEALTHCARE

408 437 8770 hathealthcare.com

VERTICAL WALL TRACK SYSTEM COMPONENTS



A Wall Track

Choose from three lengths:
13", 19" and 31".
(Width of track is 4.4")
Model 8326

B Data Entry Monitor Arm

Supports monitor and keyboard tray.
(Requires track mount)
Model 7509

C Monitor Arm

Add any Innovative monitor arm.
(Requires track mount)

D Keyboard Arm

Accommodates keyboard and mouse.
(Requires track mount)
Model 7019-NM

E Track Mount

Mounts arm to track.
Model 8328

F CPU Mount

Adjustable mount secures CPU.
Model 8335-SM, 2-3" wide
Model 8335-MD, 3-5" wide
Model 8335-LG, 5-7" wide

