



WALL TRACK WORKSTATION w/COMBO ARM

WALL MOUNTS



HAT
COLLECTIVE™
HEALTHCARE

COMPACT FLEXIBILITY.

The space-saving wall track with combo arm supports point of care connections. The flexible data-entry arm offers a supportive, intuitive workflow, for fast-paced work. The monitor and keyboard move together making it easy to reposition and store, improving patient care by making caregivers' jobs easier and more comfortable.



Flexible positioning allows the keyboard tray and arm to fold flat against wall when not in use



Cables are routed through track and hidden behind cable channel



Optional CPU Holders available, can be mounted to wall track or directly to wall

FEATURES

- **Comfortable:** Monitor and keyboard tray move together making it quick and easy to reposition.
- **Ergonomic:** Keyboard tray tilts up and down to protect wrists from injury.
- **Space-Saving:** The arm and keyboard tray can be folded flat against wall when not in use.
- **Organized:** Cables stay hidden behind cable channel keeping spaces clean and clutter-free.
- **Cleanability:** Easy-to-clean surfaces allows for thorough and efficient cleaning.
- **Compatible:** VESA-monitor compatible - 75 & 100mm VESA adapter included.

SPECIFICATIONS

Finishes

- Flat White
248
- Vista Black
104

Dimensions

Track Length: 31"
 Monitor Height Adjustment: 18"
 Monitor Weight Capacity: 6 - 23 lbs.
 Screen Size: Up to 27"
 Keyboard Tray Size: 19" L x 8" W
 (excludes mouse tray)

Part Number

HM-WT002-___

Accessories

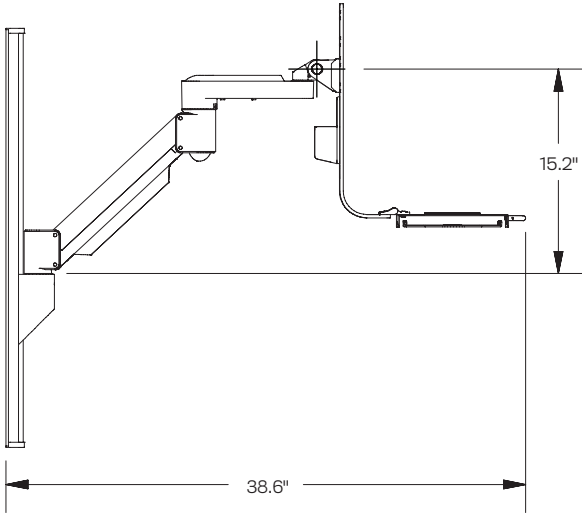
- 8335-SM-___ Small CPU Holder
- 8335-MD-___ Medium CPU Holder
- 8335-LG-___ Large CPU Holder

WARRANTY

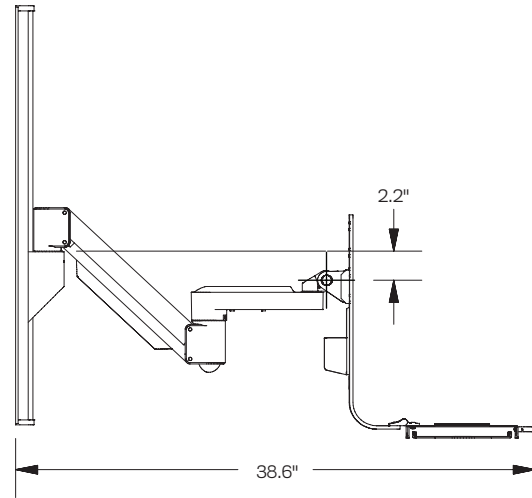
10 Years

CAPABILITIES

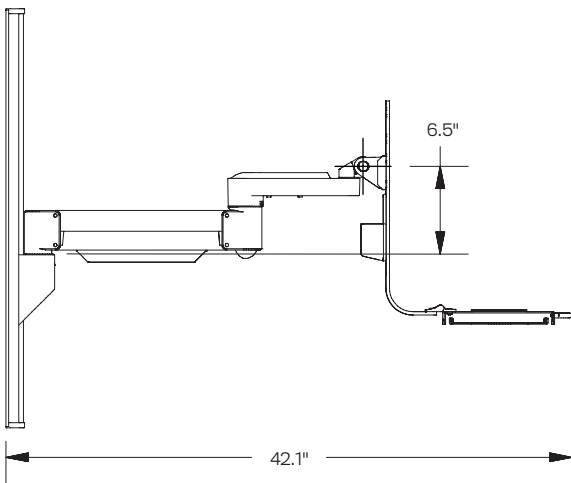
Full Up



Full Down



Fully Extended



Folded Against Wall

