



WALL TRACK WORKSTATION w/MONITOR & KEYBOARD ARMS

WALL MOUNTS



HAT
COLLECTIVE™
HEALTHCARE

ULTIMATE FUNCTIONALITY.

Caregivers can work sitting or standing with everything they need with our flexible wall track workstation. Easily reposition your screen or keyboard up and down, side-to-side to keep eye contact with your patients. The monitor and keyboard are easy to reposition and store, improving patient care by making caregivers' jobs easier and more comfortable.



FEATURES

- **Control:** Monitor and keyboard arms move independently, offering the ultimate in flexibility.
- **Ergonomic:** Keyboard tray tilts up and down to protect wrists from injury.
- **Space-Saving:** The monitor arm and keyboard arm can be folded flat against wall when not in use.
- **Organized:** Cables stay hidden behind cable channel keeping spaces clean and clutter-free.
- **Cleanability:** Easy-to-clean surfaces allows for thorough and efficient cleaning.
- **Compatible:** VESA-monitor compatible - 75 & 100mm VESA adapter included.

SPECIFICATIONS

Finishes

- Flat White
248
- Vista Black
104

Dimensions

Track Length: 31"
 Monitor Height Adjustment: 16"
 Monitor Weight Capacity: 10 - 22 lbs.
 Screen Size: Up to 32"
 Keyboard Height Adjustment: 16"
 Keyboard Tray Size: 27" L x 11" W

Part Number

HM-WT004-800-___

Accessories

- 8335-SM-___ Small CPU Holder
- 8335-MD-___ Medium CPU Holder
- 8335-LG-___ Large CPU Holder



Cables are routed through track and hidden behind cable channel



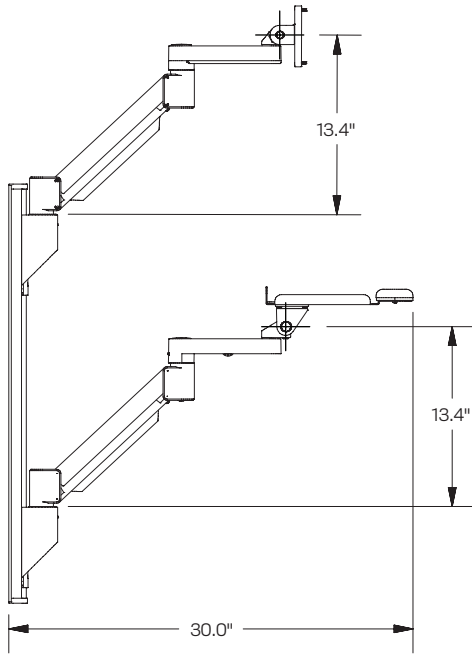
Optional CPU Holders available, can be mounted to wall track or directly to wall

WARRANTY

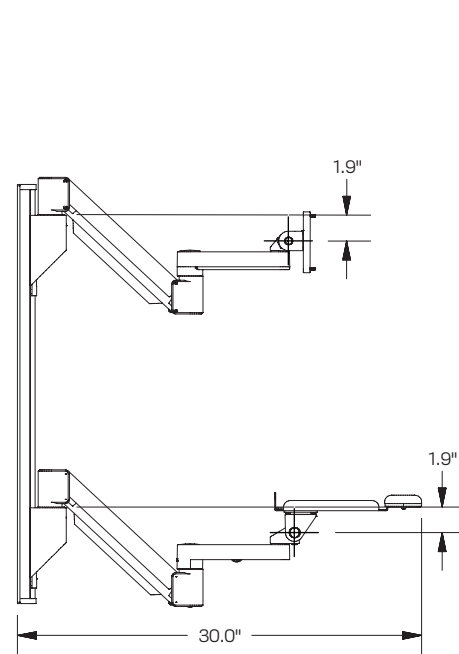
10 Years

CAPABILITIES

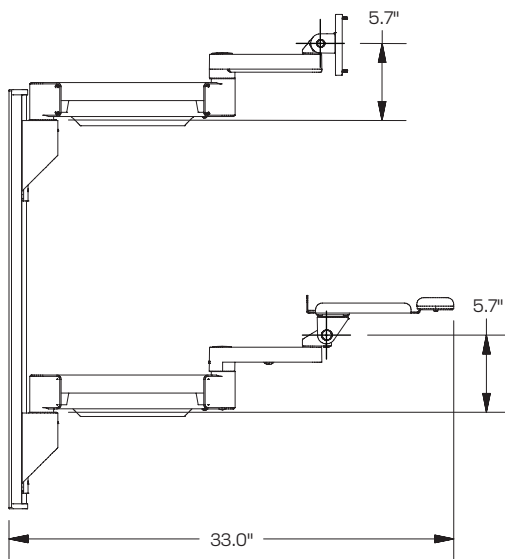
Full Up



Full Down



Fully Extended



Folded Against Wall

