



MINUT

WORKSTATIONS



HAT
COLLECTIVE™
HUMAN ACTIVE TECHNOLOGY

TAKE A MINUT.

When time is of the essence, take just a Minut. Minut is our innovative, pop-up workstation with integrated monitor arm. Perfect for caregivers on the move who need a quick moment to update a chart, check on labs or whatever work is necessary on the fly.



Shown with triangular worksurface



Worksurface tilts 90°, stows away when not in use



16.5" of height adjustment

FEATURES

- **Stability:** Engineered for smooth adjustment and rock solid stability across its entire height range providing comfortable computing.
- **Ergonomic:** A manually-operated mechanism quickly adjusts height without the use of electric power.
- **Storable:** Tilt allows for a full vertical bend between top and column, making each desk easy to flip up and out of the way.
- **Integrated:** Built in mount allows the addition of a monitor arm for greater ergonomic comfort. Compatible monitor arms include our E2 Connex, 7000, and 3500 monitor arms (sold separately).
- **Secure:** A safety brake with integrated locking mechanism keeps the table in place.
- **A Safe Space™ Product:** Easily cleaned and disinfected between users.

SPECIFICATIONS

Finishes



Height Range: 30" - 46.5"
(when mounted 3" above the floor)

Worksurface Shape:
Rectangular, Triangular

Worksurface Size:
Rectangular: 30.0" W x 23.5" D x 1.125" T
Triangular: 31.3" W x 23.5" D x 1.125" T

Tilt: 0° (stowed) or 90° (active)

Weight Capacity:
Rectangular: 12.9 - 27.9 lbs.
Triangular: 17.5 - 32.5 lbs.
(without monitor arm or technology weight)

Adjustability: Constant Force Spring

Part Numbers

Wall Mount:
HMT-U LP-W

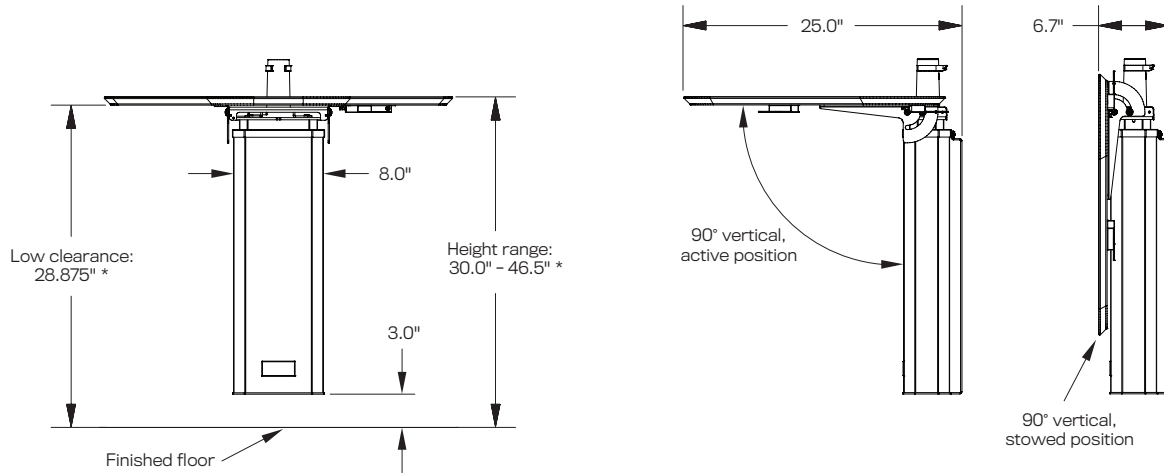
Worksurfaces:
MIT-3024R-WMT-DWDW (Rectangular)
MIT-3024T-WMT-DWDW (Triangular)

WARRANTY

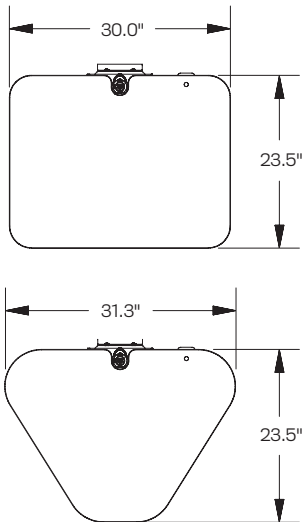
Parts: 12 Years
Craftsmanship: Lifetime

CAPABILITIES

Wall Mount



Worksurfaces (Rectangular and Triangular)



* When mounted 3" above the floor.

