



STAXX™

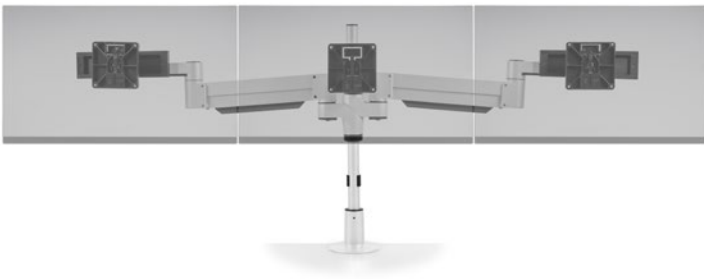
MONITOR ARMS



HAT
COLLECTIVE™
HUMAN ACTIVE TECHNOLOGY

MODULAR FLEXIBILITY.

Designed for modularity, this groundbreaking display system can accommodate up to six monitors using a single mount. Staxx™ is a completely configurable pole-based solution allowing the addition of monitors by stacking more of the same parts on top of each other.

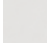




FEATURES

- **Scalable:** Easy to install and reconfigure.
- **Capable:** Mount large screens stacked or side by side.
- **Customizable:** Available in a wide range of sizes and configurations.
- **Adjustable:** Flexible extension arms provide easy positioning and personalized viewing angles.
- **Sliders:** Allows the user to fine tune monitor positioning and achieve their ideal viewing angle when utilizing 2 or more monitors (available in four configurations).

SPECIFICATIONS

Finishes

	Flat White 248
	Silver 124
	Vista Black 104

Mount: Desk Edge, Grommet

Compatibility: Up to 3,8 cm desk thickness

See pages 3-5 for additional specs

WARRANTY

10 Years

STAXX™ STANDARD



STAXX SINGLE

Screen Size: Up to 127 cm

Weight Capacity: Up to 14 kg

Part Number: STX-01S-___

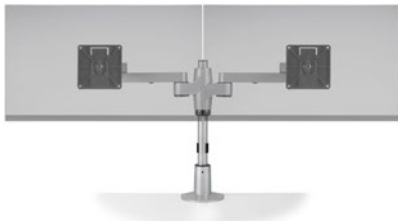


STAXX ONE OVER ONE

Screen Size: Up to 76 cm

Weight Capacity: Up to 9 kg per monitor

Part Number: STX-11S-___

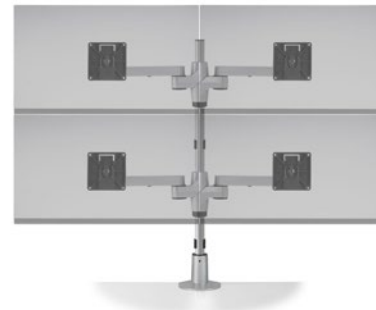


STAXX DUAL

Screen Size: Up to 61 cm

Weight Capacity: Up to 9 kg per monitor

Part Number: STX-02S-___



STAXX TWO OVER TWO

Screen Size: Up to 61 cm

Weight Capacity: Up to 7 kg per monitor

Part Number: STX-22S-___

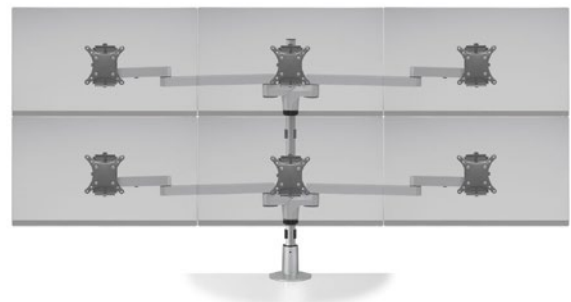


STAXX TRIPLE

Screen Size: Up to 61 cm

Weight Capacity: Up to 7 kg per monitor

Part Number: STX-03S-___



STAXX THREE OVER THREE

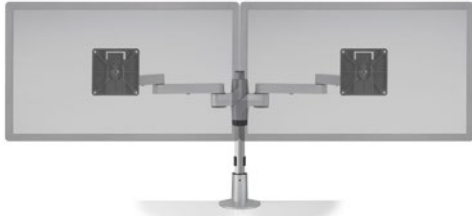
Screen Size: Up to 61 cm

Weight Capacity: Up to 5 kg per monitor

Part Number: STX-33S-___



STAXX WIDE

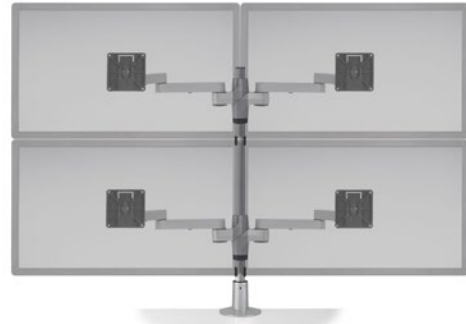


STAXX DUAL WIDE

Screen Size: 61 cm – 76 cm

Weight Capacity: Up to 9 kg per monitor

Part Number: STX-02W-___

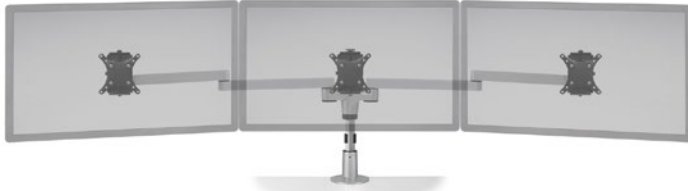


STAXX TWO OVER TWO WIDE

Screen Size: 61 cm – 76 cm

Weight Capacity: Up to 7 kg per monitor

Part Number: STX-22W-___

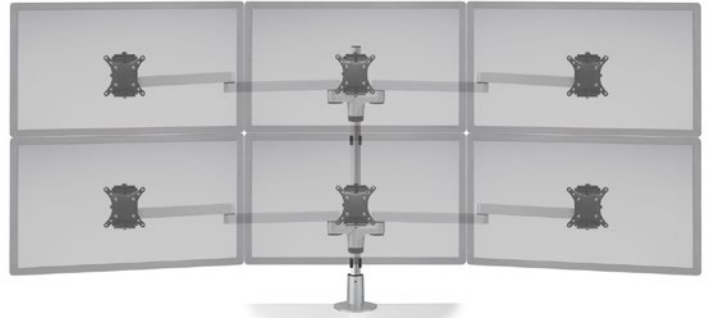


STAXX TRIPLE WIDE

Screen Size: 61 cm – 76 cm

Weight Capacity: Up to 7 kg per monitor

Part Number: STX-03W-___



STAXX THREE OVER THREE WIDE

Screen Size: 61 cm – 76 cm

Weight Capacity: Up to 5 kg per monitor

Part Number: STX-33W-___

STAXX ARTICULATING



STAXX DUAL ARTICULATING

Screen Size: Up to 68 cm

Weight Capacity:

- 5 – 10 kg per monitor (STX-450-___)
- 1 – 6 kg per monitor (STX-500-___)
- 2 – 8 kg per monitor (STX-600-___)
- 3 – 11 kg per monitor (STX-800-___)
- 5 – 11 kg per monitor (STX-1000-___)



STAXX DUAL ARTICULATING w/LAPTOP HOLDER

Screen Size: Up to 68 cm

Weight Capacity:

- Monitor:
- 5 – 10 kg (STX-450-8510-___)
- 1 – 6 kg (STX-500-8510-___)
- 2 – 8 kg (STX-600-8510-___)
- 3 – 11 kg (STX-800-8510-___)
- 5 – 11 kg (STX-1000-8510-___)

- Laptop:
- 1 – 6 kg (all sku's)



STAXX WITH SLIDERS

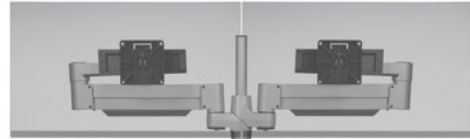


STAXX DUAL WITH SLIDERS

Screen Size: Up to 68 cm per monitor

Weight Capacity: Up to 9 kg per monitor

Part Number: STX-02-SLD-___

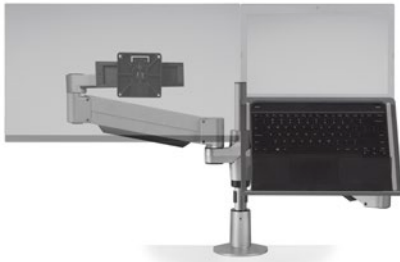


STAXX DUAL ARTICULATING WITH SLIDERS

Screen Size: Up to 68 cm per monitor

Weight Capacity: Up to 9 kg per monitor

Part Number: STX-2-800-SLD-___



STAXX DUAL ARTICULATING w/LAPTOP HOLDER AND SLIDER

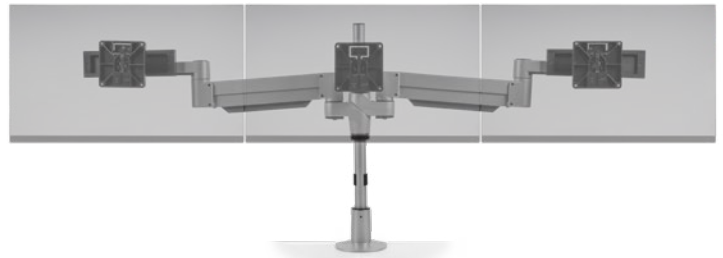
Screen Size: Up to 68 cm per monitor

Weight Capacity:

Monitor:
Up to 9 kg per monitor

Laptop:
1 - 6 kg

Part Number: STX-2-800-8510-___



STAXX TRIPLE ARTICULATING WITH SLIDERS

Screen Size: Up to 68 cm per monitor

Weight Capacity: Up to 9 kg per monitor

Part Number: STX-3S-800-___

